

Price Pfister

Pf Pfreshest Ideas in Pfaucets.

49 ■ 8B9 ■ 8J9 ■ 849 ■ J49 ■ 8A9 Series

Serie 49 ■ 8B9 ■ 8J9 ■ 849 ■ J49 ■ 8A9

Série 49 ■ 8B9 ■ 8J9 ■ 849 ■ J49 ■ 8A9

TWISTPFIT™

INSTALLATION. PFAST.

Lavatory Widespread Faucet

Grifo Extenso Para Baño

Robinet Pour Lavabo





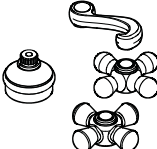




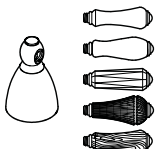
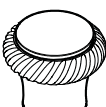

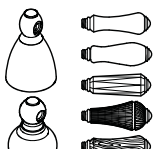
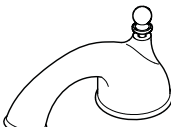
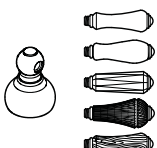
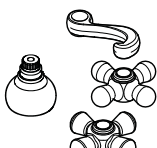

Bedford

PARISA™

Carmel™

Georgetown™

HANDLE TRIM KITS
JUEGOS DE MOLDURAS DE LAS MANIJAS
KITS DE MANETTES

| TwistPfit Spout Surtidor TwistPfit Bec TwistPfit | Lever Handles Manijas De Palanca Manettes simples | Cross & French Handles Manijas En Cruz y Estilo Francés Croisillons et manettes à la française | Verve Handle Manija Verve Manette Verve | Windsor Handle Manija Windsor Manette Windsor | Acrylic Handle Manija De Acrílico Manette acrylique | Rope Ring Handle Manija De Anilla Tipo Cuerda Manette à anneau torsadé |
|---|---|--|---|--|---|---|
|  Bedford |  |  |  |  |  | |
|  Parisa |  | | | | |  |
|  Carmel |  | | | | | |
|  Georgrtown |  |  | | |  | |

SUPPLY LINES AND FITTINGS NOT INCLUDED
 LAS LÍNEAS DE SUMINISTRO Y LOS CONECTADORES NO ESTÁN INCLUIDAS
 FLEXIBLES D'ARRIVÉE ET RACCORDS NON FOURNIS



**Price Pfister
Lifetime Limited Mechanical & Pfinish Warranty
Covers Pfinish and Pfunction for as Long as You
Own Your Home
(Commercial Applications Limit the Duration of the
Warranties as Provided Below)**

Price Pfister provides the following Warranties for its products. Proof of Purchase may be required in order to obtain any of the benefits set forth below.

Limited Warranties: Price Pfister warrants that for as long as the original purchaser owns the home in which the Price Pfister product (the "Product") is originally installed, the Product will be free of all defects in material and workmanship that would impair the intended and proper use of the Product. If the Product is installed in a commercial application, the above mechanical warranty shall be limited for a period of ten (10) years from the date of purchase of the Product.

Price Pfister warrants against deterioration of the Product's finish for as long as the original purchaser owns the home in which the Product is originally installed. If the Product is installed in a commercial application, the above finish warranty for Products that do not contain the Pforever finish shall be limited to a period of five (5) years from the date of purchase.

Exclusive Remedy: In the event of any defect in the Product that breaches the foregoing warranties, Price Pfister, at its option, will repair or replace the defective part of the Product. Repair or replacement of the Product is the exclusive remedy.

For any remedy under this warranty, Price Pfister is to be notified describing the problem. In order to notify Price Pfister and receive assistance or service under this warranty, the original purchaser may: (1) call 1-800-Pfaucet (1-800-732-8238) for a consumer service representative who can assist you, or (2) write consumer service department c/o Price Pfister Inc., 19701 DaVinci, Lake Forest, CA 92610, and include a description of the problem, model number, your name, address, phone number and approximate date of purchase, or (3) email Price Pfister's customer service department by going to www.PricePfister.com, or (4) notify the location or distributor from which the Product was purchased. In any case, you may be required to return the Product to Price Pfister for inspection and proof of purchase may be required.

Limitations and Exclusions:
PRICE PFISTER WILL NOT BE LIABLE FOR ANY OTHER DAMAGES OR LOSSES, INCLUDING, BUT NOT LIMITED TO, INCIDENTAL AND/OR CONSEQUENTIAL DAMAGES, REGARDLESS OF THE LEGAL THEORY ASSERTED, INCLUDING ANY CLAIM OR BREACH OF WARRANTY HEREUNDER OR ANY OTHER CAUSE, AND WHETHER ARISING IN CONTRACT OR IN TORT (including negligence and strict liability).

Price Pfister has the right to discontinue or modify any product at any time. Some states do not allow limitations or exclusions of incidental or consequential damages, so the above limitations or exclusions may not apply to you. This warranty gives you specific legal rights, and you may also have other rights which vary from state to state.

The above warranties do not cover damage resulting from improper maintenance, repair, cleaning or installation, misuse, abuse, alterations, accidents or Acts of God.



**Price Pfister
Garantía Mecánica y sobre el Acabado Limitada de por Vida
Cubre las funciones y el acabado por el tiempo en que usted
sea propietario de su casa
(Las Aplicaciones Comerciales Limitan la Duración
de las Garantías)**

Price Pfister suministra las siguientes Garantías para sus productos. Es posible que se requiera la presentación de una Prueba de compra para obtener cualquiera de los beneficios indicados a continuación.

Garantías Limitadas: Price Pfister garantiza que por el tiempo en que el comprador original sea propietario de la casa en la que se hubiese instalado inicialmente el producto Price Pfister (el "Producto"), este Producto estará libre de todo defecto en material y mano de obra que pueda afectar el uso proyectado y correcto del Producto. Si el Producto se instala en una aplicación comercial, la garantía mecánica que antecede estará limitada a un período de diez (10) años a partir de la fecha de compra del Producto.

Price Pfister garantiza el acabado del Producto contra deterioro por el tiempo en que el comprador original sea propietario de la casa en la que hubiese instalado inicialmente el Producto. Si el Producto se instala en una aplicación comercial, la garantía sobre el acabado que precede para Productos que no contengan el acabado "Pforever" estará limitada a un período de cinco (5) años a partir de la fecha de compra.

Recurso exclusivo: En el caso de que haya un defecto en el Producto que viole las garantías que preceden, Price Pfister, a su opción, reparará o reemplazará la pieza defectuosa del Producto. La reparación o el reemplazo del Producto es el recurso exclusivo.

Para todo recurso con respecto a esta garantía, Price Pfister deberá ser notificado, con una descripción del problema. Para notificar a Price Pfister y recibir ayuda o servicio bajo esta garantía, el comprador original puede: (1) llamar al 1-800-Pfaucet (1-800-732-8238) para hablar con un representante de servicio al cliente que lo pueda ayudar, o (2) escribir al departamento de servicio al consumidor, c/o Price Pfister Inc., 19701 DaVinci, Lake Forest, CA 92610 U.S.A., e incluir una descripción del problema, el número del modelo, su nombre, dirección, número de teléfono y fecha aproximada de compra, o (3) enviar un e-mail al departamento de servicio al consumidor de Price Pfister entrando en la página web www.PricePfister.com, o (4) avisarle al lugar o al distribuidor en donde se compró el Producto. En cualesquiera de los casos, podría pedirle devolver el Producto a Price Pfister para su inspección y es posible que se requiera la presentación de una prueba de compra.

Limitaciones y Exclusiones:
PRICE PFISTER NO SE HARÁ RESPONSABLE DE NINGÚN OTRO DAÑO O PERJUICIO, INCLUYENDO, PERO SIN ESTAR LIMITADO A DAÑOS INCIDENTALES Y/O CONSECUENTES, SIN IMPORTAR LA TEORÍA LEGAL A LA QUE SE ALEGUE, INCLUYENDO TODO RECLAMO O VIOLACIÓN DE LA GARANTÍA PRESENTE O CUALQUIER OTRA CAUSA, Y YA SEAN COMO RESULTADO DE LA LEY CONTRACTUAL O LA DE ANTECEDENTES (incluyendo negligencia y responsabilidad estricta).

Price Pfister tiene el derecho de discontinuar o modificar cualquier producto en cualquier momento. Algunos estados no permiten limitaciones o exclusiones de daños incidentales o consecuentes, de manera que es posible que las limitaciones o exclusiones que preceden no correspondan en su caso. Esta garantía le otorga derechos legales específicos y es posible que usted también tenga otros derechos que difieren entre un estado y otro.

Las garantías que preceden no cubren daños y perjuicios ocasionados como resultado de mantenimiento, reparaciones, limpieza o instalación inadecuados, mal uso, abuso, alteraciones, accidentes o causas de fuerza mayor.



**Price Pfister
Une garantie limitée à vie
pour ce qui est de l'aspect mécanique et de la finition,
tant et aussi longtemps que vous serez propriétaire
de votre domicile.
(Garantie limitée en cas d'utilisation commerciale
– voir ci-dessous)**

Veuillez noter qu'une preuve d'achat peut être requise en cas de recours au titre de la garantie.

Garantie limitée : Tant et aussi longtemps que l'acheteur sera propriétaire du domicile dans lequel le produit Price Pfister a été installé, nous lui garantissons que ce dernier sera exempt de tout défaut de matériau ou vice de fabrication pouvant en entraver l'utilisation correcte tel que prévu. Dans le cas des produits d'utilisation commerciale, la garantie exprimée ci-dessus est restreinte à une période de dix (10) ans.

Par ailleurs, tant et aussi longtemps que l'acheteur sera propriétaire du domicile dans lequel le produit Price Pfister a été installé, nous lui garantissons un article dont la finition ne pourra se détériorer. Dans le cas des produits d'utilisation commerciale qui ne comportent pas la finition "Pforever", la garantie est restreinte à une période de cinq (5) ans.

Recours exclusif : En cas de défaut du produit relevant de la garantie, le fabricant pourra, à sa discrétion, réparer ou remplacer la partie défectueuse. Cette mesure constitue un recours exclusif.

Pour tout recours au titre de la garantie, les clients doivent communiquer avec le fabricant pour lui faire part du problème. L'acheteur d'origine peut : (1) composer le 1 800 732-8238 pour parler à un représentant qui l'assistera; (2) écrire au service à la clientèle : Price Pfister Inc., 19701 DaVinci, Lake Forest, CA 92610 U.S.A., et fournir une explication du problème, en précisant le numéro de modèle, son nom, son adresse et son numéro de téléphone, ainsi que la date d'achat approximative; (3) communiquer par courrier électronique avec le service à la clientèle en utilisant le site www.PricePfister.com, ou (4) aviser le détaillant qui a vendu le produit. On peut être obligé de retourner le produit au fabricant, et une preuve d'achat peut être exigée.

Limitations et exclusions :
PRICE PFISTER NE SERA PAS RESPONSABLE DES AUTRES DOMMAGES OU PERTES, Y COMPRIS LES DOMMAGES INDIRECTS, INDÉPENDAMMENT DE TOUTE THÉORIE JURIDIQUE, Y COMPRIS TOUTE RÉCLAMATION SELON LAQUELLE IL Y AURAIT EU RUPTURE DE GARANTIE, QUE CE SOIT PAR RAPPORT À UN CONTRAT OU PAR VOIE DE NÉGLIGENCE (cela comprend la négligence et la responsabilité stricte).

Price Pfister se réserve le droit de discontinuer ou de modifier un produit en tout temps. Certaines provinces ne permettent pas l'exclusion ou la limitation des dommages indirects, de sorte que la limitation exprimée peut ne pas s'appliquer. La présente garantie octroie aux clients certains droits d'ordre juridique, et ceux-ci pourraient en avoir d'autres, selon la province où ils habitent.

La garantie ne s'applique pas aux dommages résultant d'un entretien, d'un nettoyage ou d'une installation fautivement effectués, ou encore d'usages fautifs, d'abus, de modifications, d'accidents ou de catastrophes naturelles.



1-800-PFAUCET (1-800-732-8238)

For Toll-Free Pfaucet information call 1-800-PFAUCET (1-800-732-8238) or visit www.pricepfister.com

Para obtener información mediante llamadas gratis, llame al 1-800-PFAUCET (1-800-732-8238) o visite www.pricepfister.com

Pour les renseignements concernant le service sans frais de Pfaucet, appelez 1-800-PFAUCET (1-800-732-8238) appel ou visite www.pricepfister.com

- Installation Support
- Care and Warranty Information

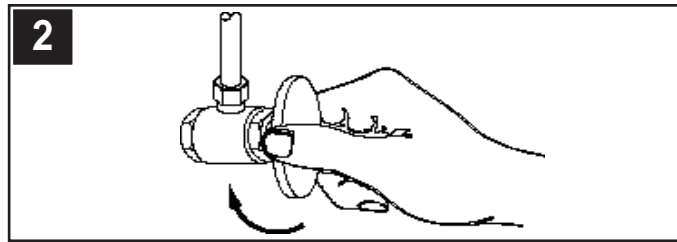
- Apoyo a instaladores
- Información sobre cuidado y garantías

- Assistance à l'installation
- Informations sur l'entretien et la garantie

Thank you for purchasing this Price Pfister bathroom faucet. All Price Pfister products are carefully engineered, and factory tested to provide long trouble-free use under normal conditions. This bathroom faucet is easy to install using basic tools and our easy to follow illustrated instructions. If you have any questions regarding your bathroom faucet installation call 1-800-Pfaucet (1-800-732-8238).

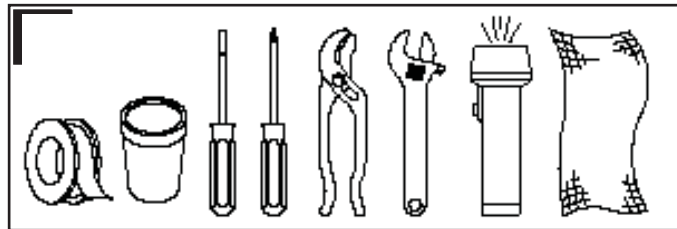
1 BEFORE PROCEEDING

⚠ WARNING: Read all the instructions completely before proceeding. Price Pfister recommends calling a professional if you are uncertain about installing this product! This product should be installed in accordance with all local and state plumbing and building codes.



2 SHUT OFF WATER SUPPLY

Locate water supply inlets and shut off the water supply valves. These are usually found under the sink or near the water meter. If you are replacing an existing faucet, remove the faucet from the sink and clean the sink surface thoroughly.



3 TOOLS RECOMMENDED

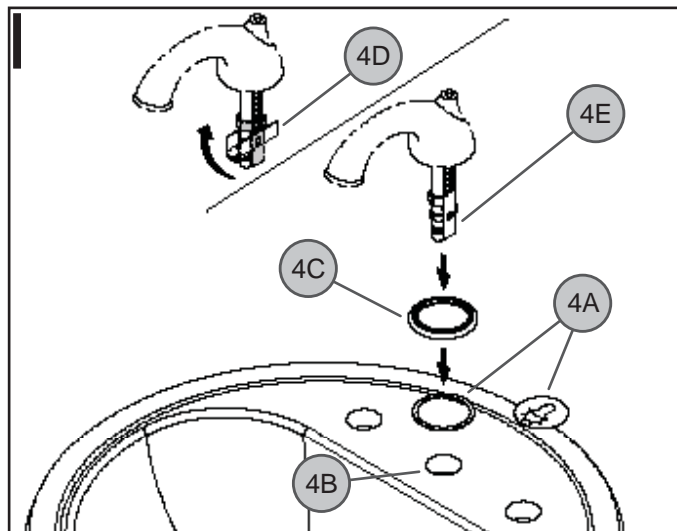
- PTFE plumber's tape or thread sealant
- Slotted screwdriver
- Adjustable wrench
- Plumber's putty
- Phillips head screwdriver
- Flashlight
- Pliers
- Cloth

Your installation may require new supply lines and/or shut-off valves or other additional tools.



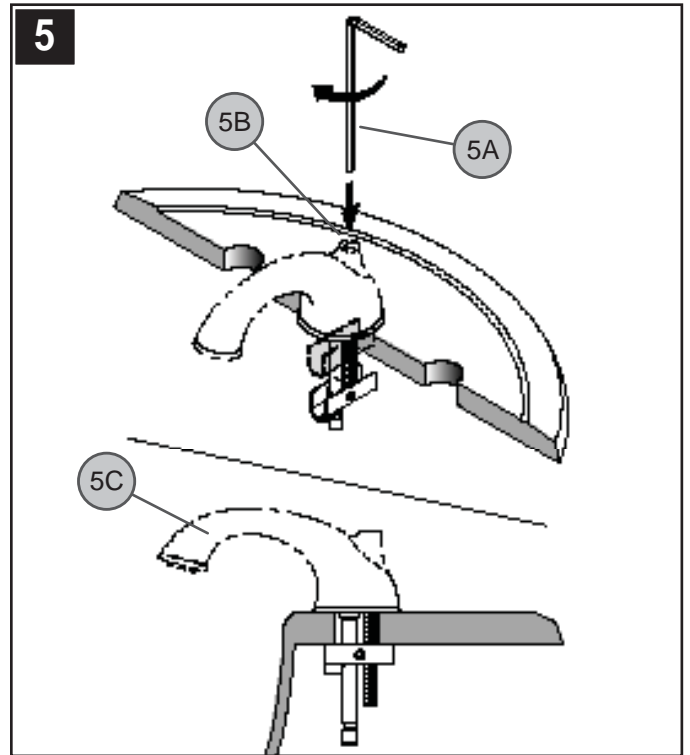
This product comes with a Hex Wrench for tightening the spout.

INSTALLATION STEPS



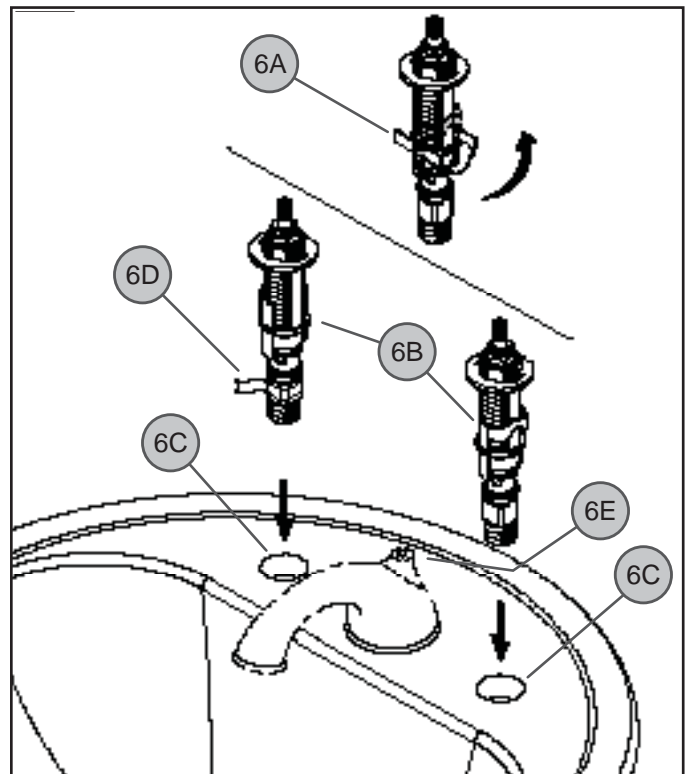
4 SPOUT ATTACHMENT

(Model Georgetown 49-B is shown) Depending on model, either place Plastic Seal Ring or Protective Washer (4A) against the top of Center Hole (4B). For Carmel and Georgetown models, place Spout Base Ring (4C) onto countertop. Rotate Retainer Bracket (4D) to a vertical position as shown. Insert Spout Shank (4E) through the Center Hole of sink.



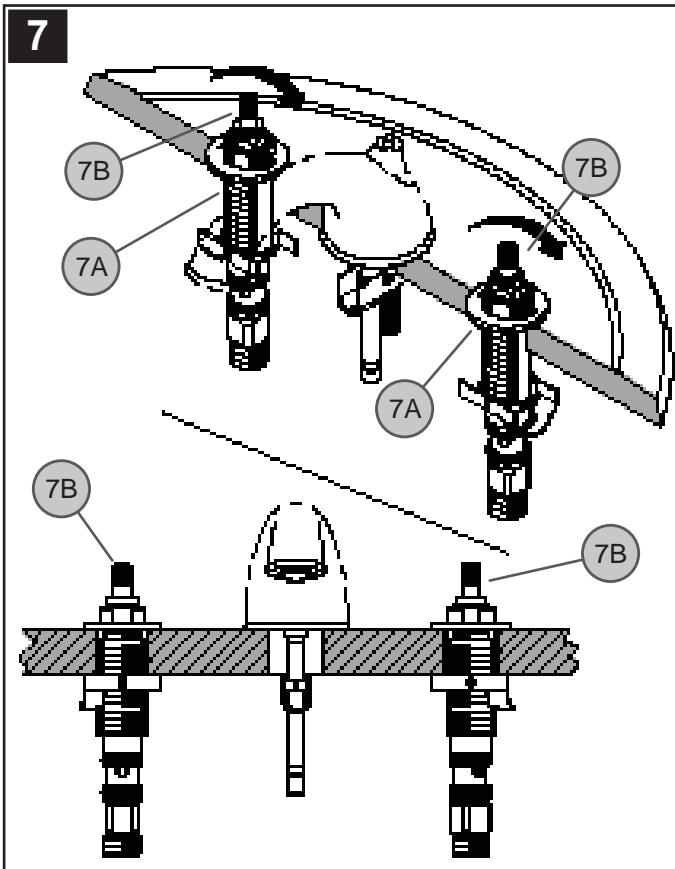
5. SECURING SPOUT

From above, insert Hex Wrench (5A) into pop-up hole in Spout (5B). Turn Hex Wrench (5A) clockwise to tighten. Before final tightening, be sure Spout (5C) is centered and facing forward.



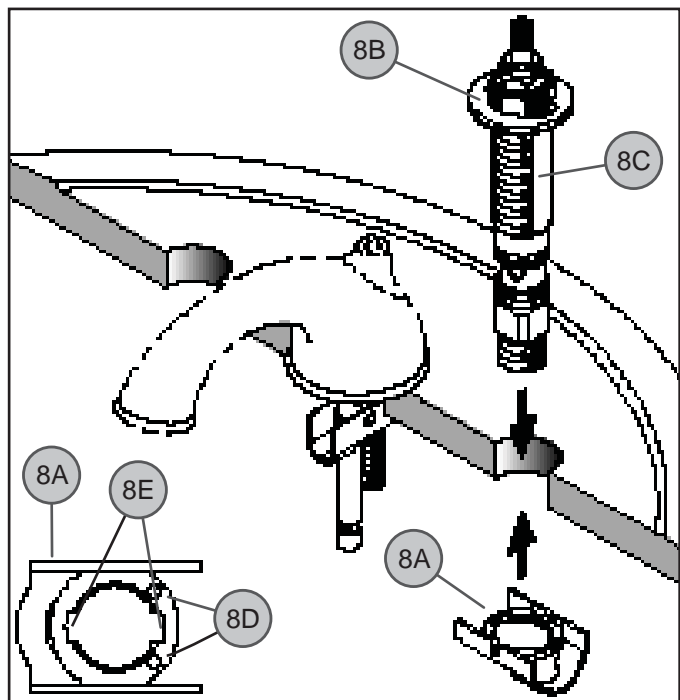
6 VALVE BODY INSTALLATION

Rotate Retainer Bracket (6A) to a vertical position. Insert Valve Body (6B) through Mounting Holes (6C) on the top of fixture. The HOT valve, labeled with Red Tag (6D), should be positioned to the left side of the Spout (6E).



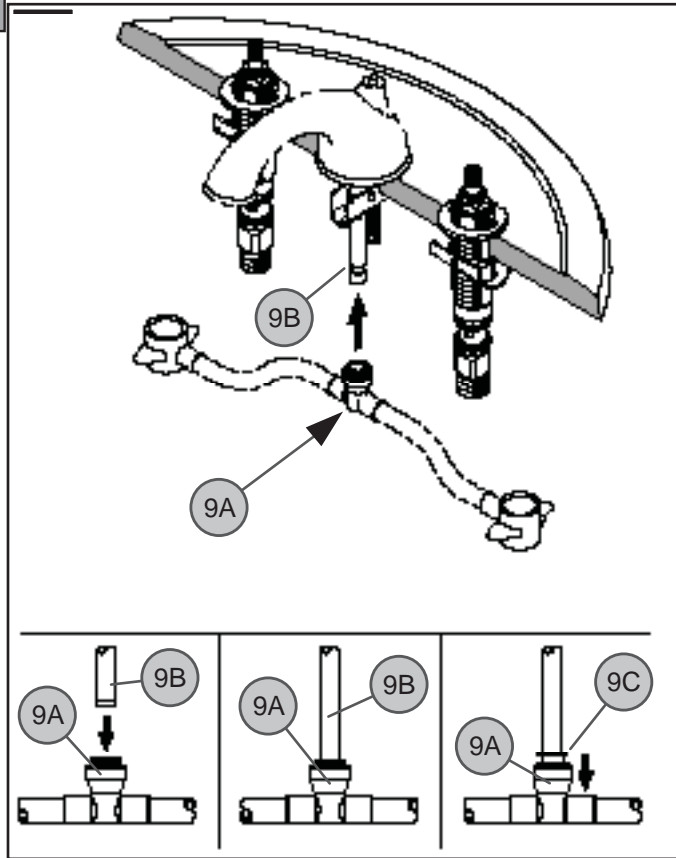
7 SECURING VALVE BODIES

From above fixture, hold the Flat Shaped Flange (7A) and turn the Valve Body (7B) by hand in a clockwise direction until the assembly is snug. Tighten the Valve Body using an adjustable wrench, 1 turn maximum. If a lever or cross handle is used, rotate Valve Body for desired handle alignment. (DO NOT OVER TIGHTEN).



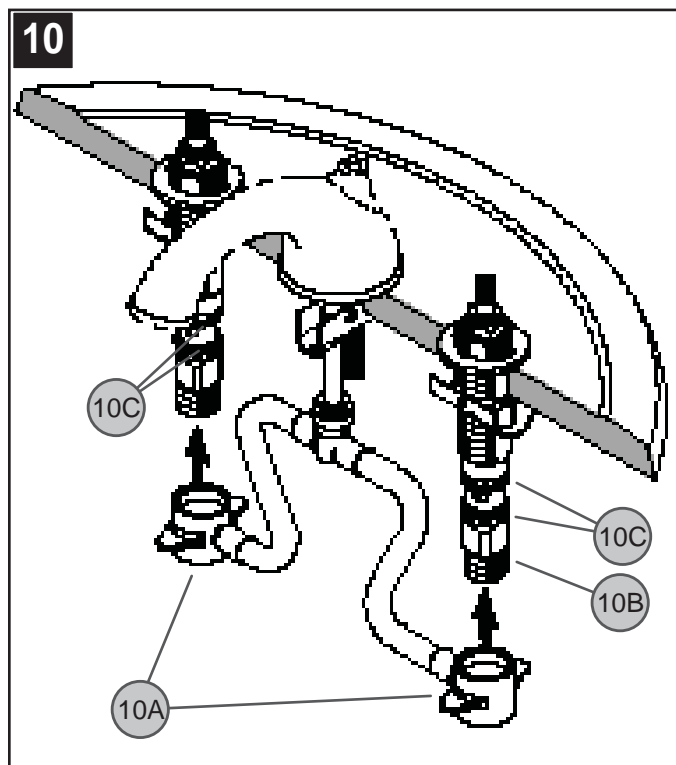
8 VALVE BODY INSTALLATION INTO SMALL SINK HOLE

If the fixture hole is too small for valve assembly, remove Retainer Nut (8A) by holding the Flange (8B) in place and turning valve body counter-clockwise until Retainer Nut is free of valve body. Insert body, from above fixture, through fixture hole. Thread on Retainer Nut (8A) from below fixture. Make sure the Ears (8E) slide through the Slots (8E) in the Retainer Nut (8A) and that the flat side of the Retainer Nut is facing up. Be sure Dimples (8D) on the nut are facing down.



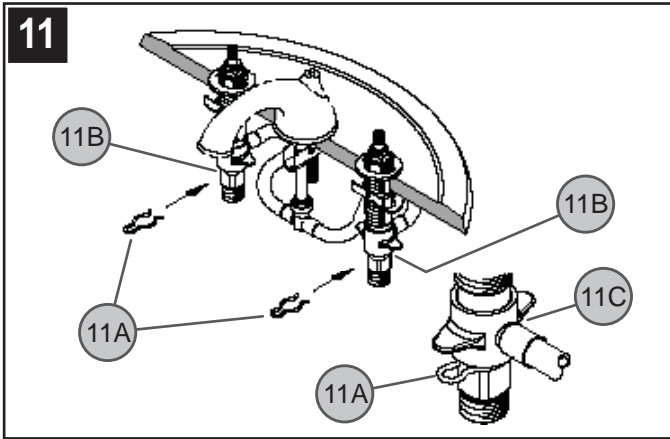
9 HOSE CONNECTION TO SPOUT

From underneath sink, push the Center Connector (9A) onto Receiving Tube (9B), until unable to push any further. Pull down on the Quick Connect Housing (9A). If the housing and the Inner Collet (9C) separate slightly but do not pull off the Receiving Tube (9B), the connection is secure.



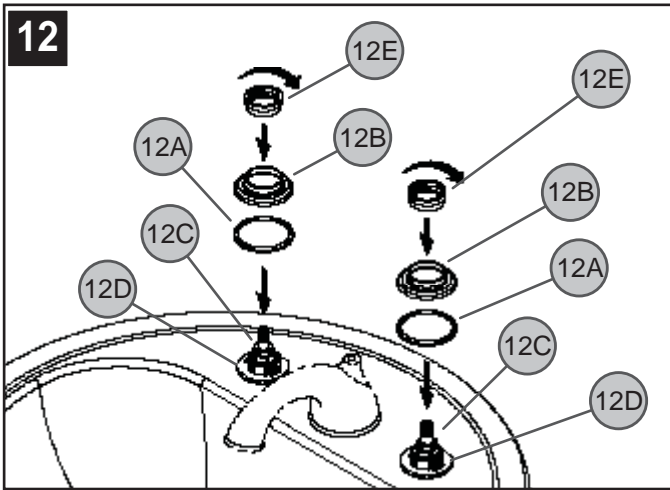
10 HOSE CONNECTION TO VALVE BODY

Slide the End Connectors (10A) onto the Valve Bodies (10B). Push the End Connectors (10A) all the way up until completely seated. Be careful not to damage O-Rings (10C).



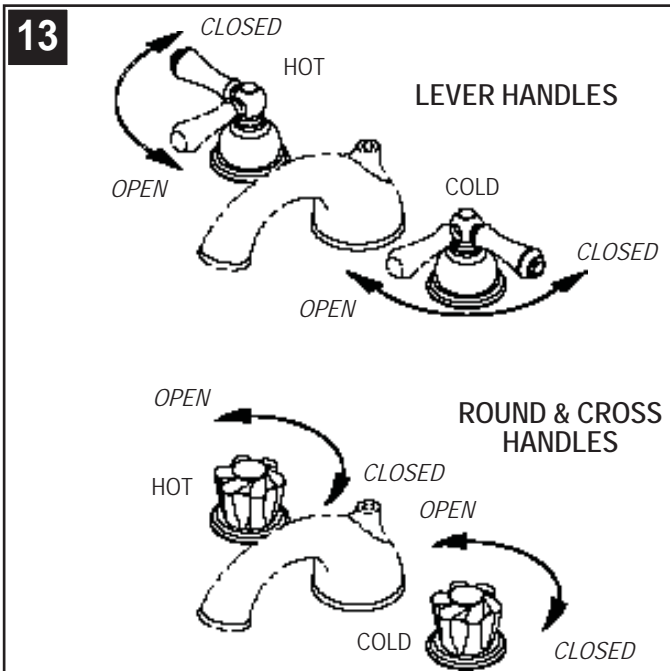
11 SECURING HOSE CONNECTIONS

Slide Clips (11A) onto End Bodies (11B), beneath the End Connectors (11C).



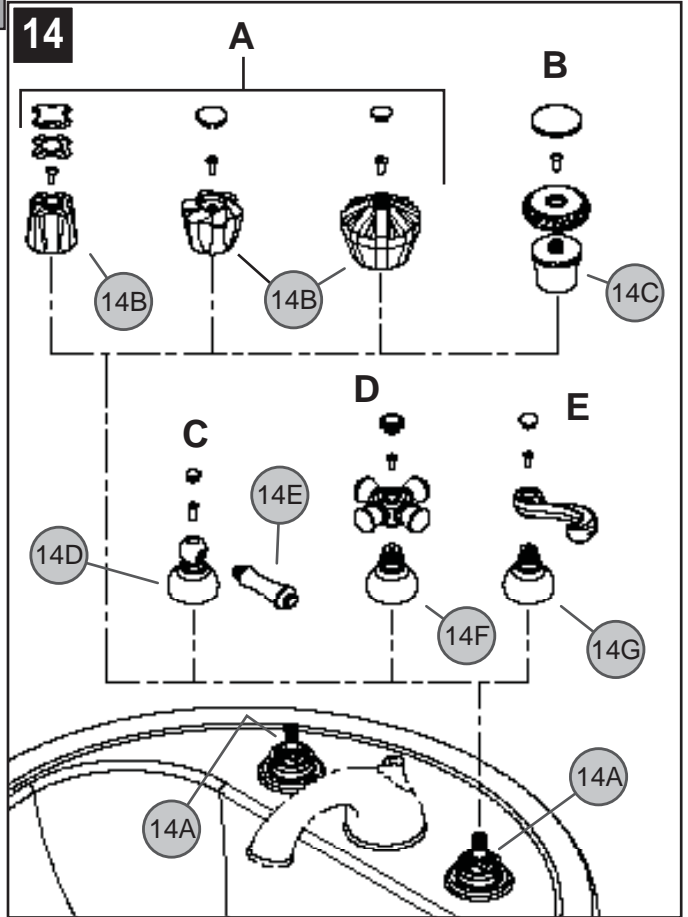
12 FLANGE INSTALLATION

Place Plastic Ring (12A) and Flange (12B) over Valve Body (12C) covering the Valve Body Washers (12D). Secure by screwing the Plastic Nut (12E) onto the Valve Body (12C).



13 VALVE FUNCTION

Lever Handles – COLD valve: close-counter-clockwise, open-clockwise. HOT valve: close-clockwise, open-counter-clockwise.
Round and Cross Handles – COLD and HOT valves close-clockwise and open-counter-clockwise.



14 HANDLE INSTALLATION

Before proceeding, Valve Stems (14A) are to set be in the closed position.

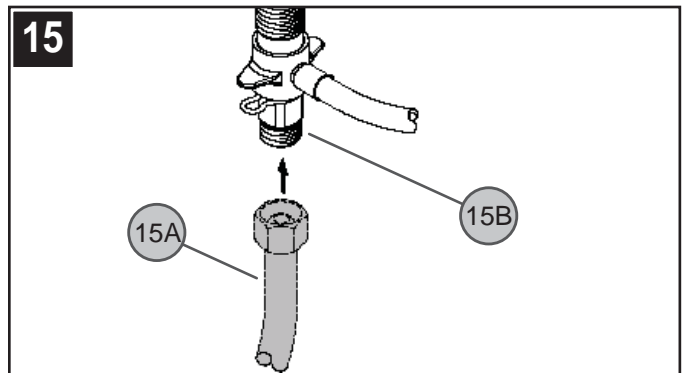
A. Installing Round Handle: Attach Handle (14B) onto Valve Stem (14A). Secure with Screw. Snap Handle Inset (Red - "Hot" side, Blue - "Cold" side) onto handle (14B). Press Button into handle orifice.

B. Installing Rope Ring Handle: Attach Handle Hub (14C) onto Valve Stem (14A), then Rope Ring. Secure with Screw. Insert Button into Rope Ring and press.

C. Installing Lever Handle: Attach Handle Hub (14D) in desired position onto Valve Stem (14A) and secure with Screw. Hand tighten Decorative Lever (14E) onto Handle Hub. Attach Button.

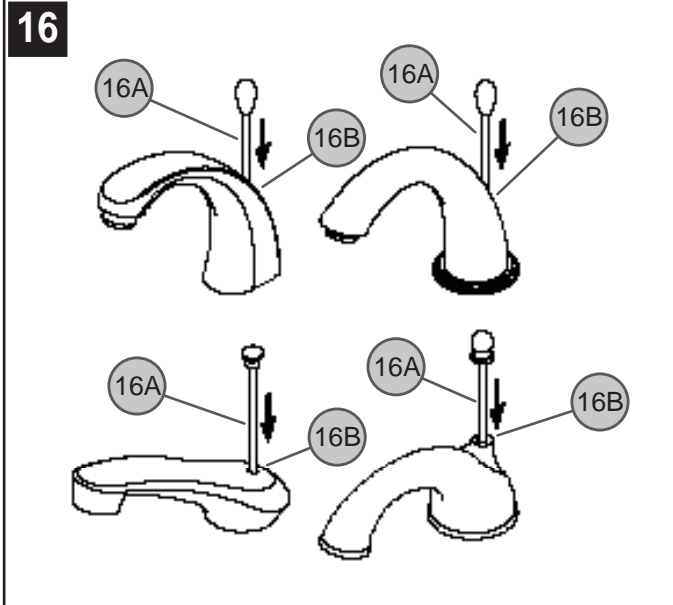
D. Installing Cross Handle: Attach Handle Hub (14F) onto Valve Stem (14A). Attach Cross Handle onto Handle Hub and secure with screw. Attach Button.

E. Installing French Lever Handle: Attach Handle Hub (14G) onto Valve Stem (14A). Attach French Lever onto Handle Hub in desired position and secure with screw. Attach Button.



15 WATER SUPPLY CONNECTIONS

Connect water Supply Lines (15A) to Faucet Inlets (15B). (Supply lines and fittings are not included.) Please follow manufacturer's instructions when installing supply lines.



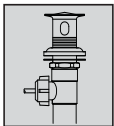
16 LIFT ROD CONNECTION

Insert Lift Rod (16A) into hole at top of Spout (16B). Gently, slide Lift Rod (16A) down the Spout (16B) hole.

POP-UP DRAIN BODY INSTALLATION STEPS

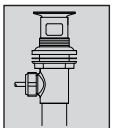
Your faucet can be installed with a 50/50 Pop-Up or an All Metal Pop-Up:

For a 50/50 Pop-Up installation:

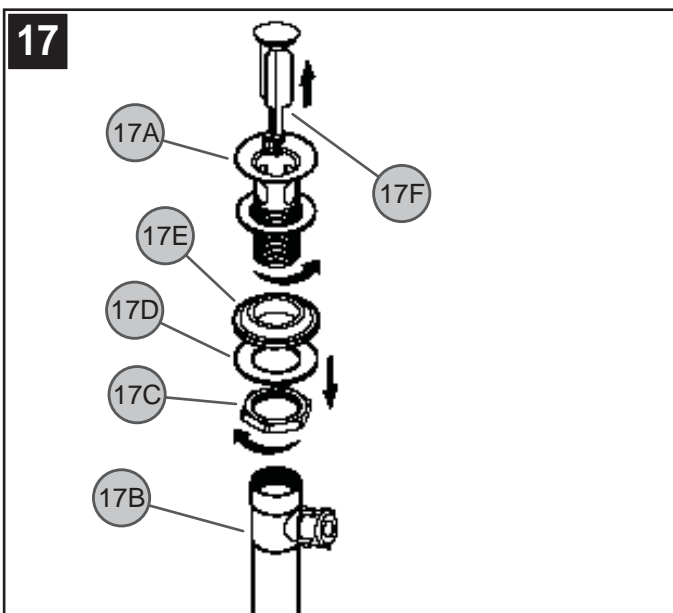


Go To Steps 17 & 18

For an All Metal Pop-Up installation:

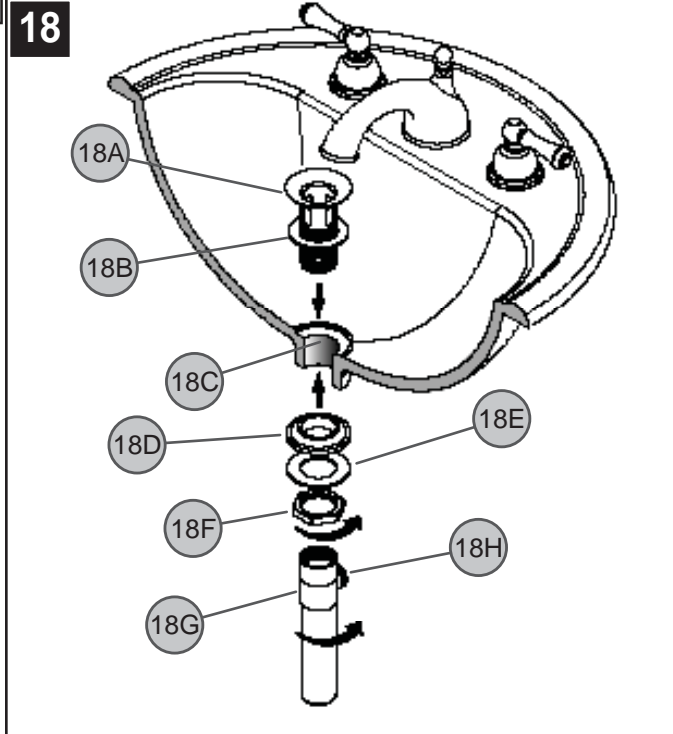


Go To Steps 19 & 20



17 POP-UP PREPARATION

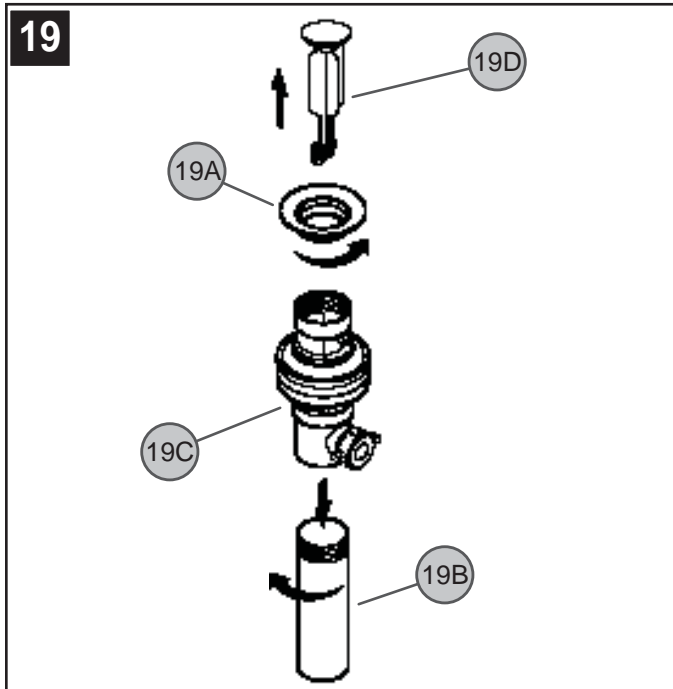
Remove Flange (17A) from the Drain Body (17B). Remove Locknut (17C), Friction Washer (17D), Rubber Washer (17E) and Stopper (17F) from Flange (17A).



18 POP-UP INSTALLATION

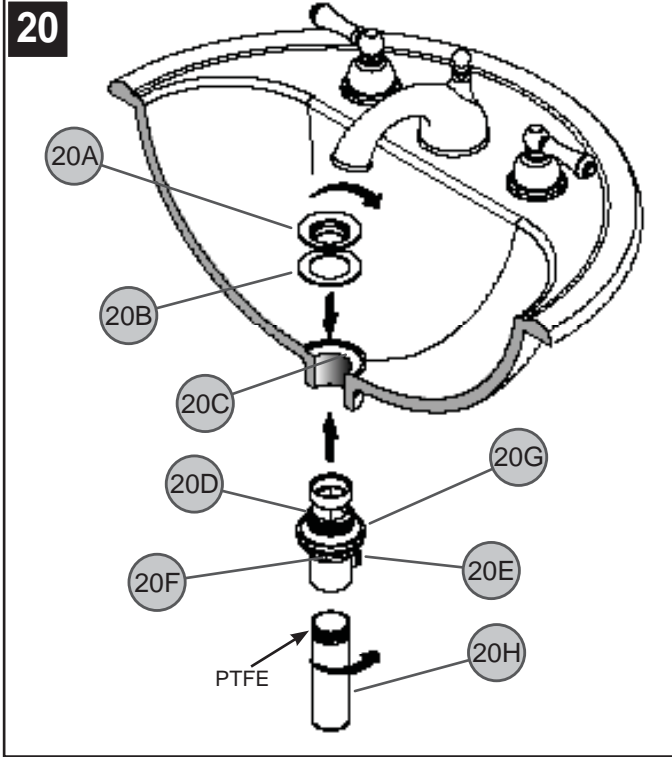
The Flange (18A) can be installed with or without Rubber Seal (18B). If Flange (18A) is installed without Rubber Seal, apply a small bead of plumber's putty underneath the Flange (18A) and around Drain Opening (18C). Insert Flange (18A) into Drain Opening (18C). From underneath, slide Rubber Washer (18D) and Friction Washer (18E) onto the bottom of Flange (18A). Thread Locknut (18F) until Rubber Washer (18D) seats securely inside Drain Opening (18C). Remove excess plumber's putty. Wrap PTFE plumber's tape to the bottom external threads of Flange (18A) according to manufacturer's instructions. Thread Drain Body (18G) to bottom of Flange (18A) and adjust so that the Ball Rod Opening (18H) faces the rear.

Go To Steps 21



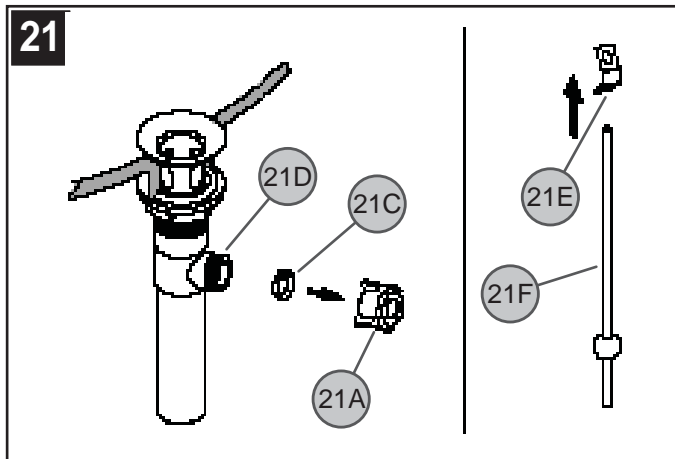
19 POP-UP PREPARATION

Remove Flange (19A) and Tailpiece (19B) from the Drain Body (19C). Remove Stopper (19D) from Flange (19A).



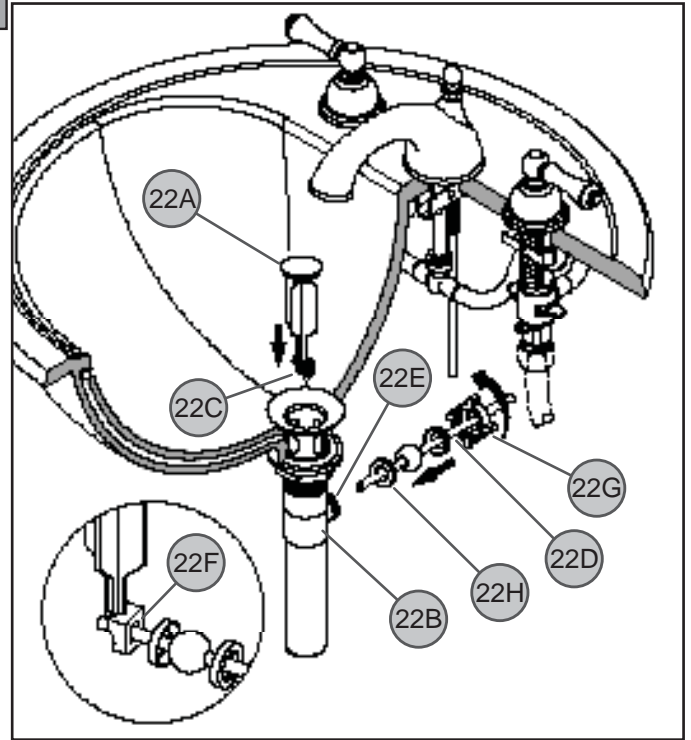
20 ALL METAL POP-UP INSTALLATION

The Flange (20A) can be installed with or without Rubber Seal (20B). If Flange (20A) is installed without rubber seal, apply a small bead of plumber's putty underneath the Flange (20A) and around Drain Opening (20C). From underneath, insert threaded end of Drain Body (20D) up through Drain Hole (20C). Hand tighten the Flange (20A) onto the Drain Body (20D) from the top of the sink. From underneath, adjust the Drain Body (20D) so that the Ball Rod Opening (20E) faces the rear. Thread Locknut (20F) from underside of sink until Rubber Washer (20G) seats securely inside Drain Opening (20C). Remove excess plumber's putty. Wrap PTFE plumber's tape to the top external threads of Tailpiece (20H) according to manufacturer's instructions. Thread Tailpiece (20H) to bottom of Drain Body (20D).



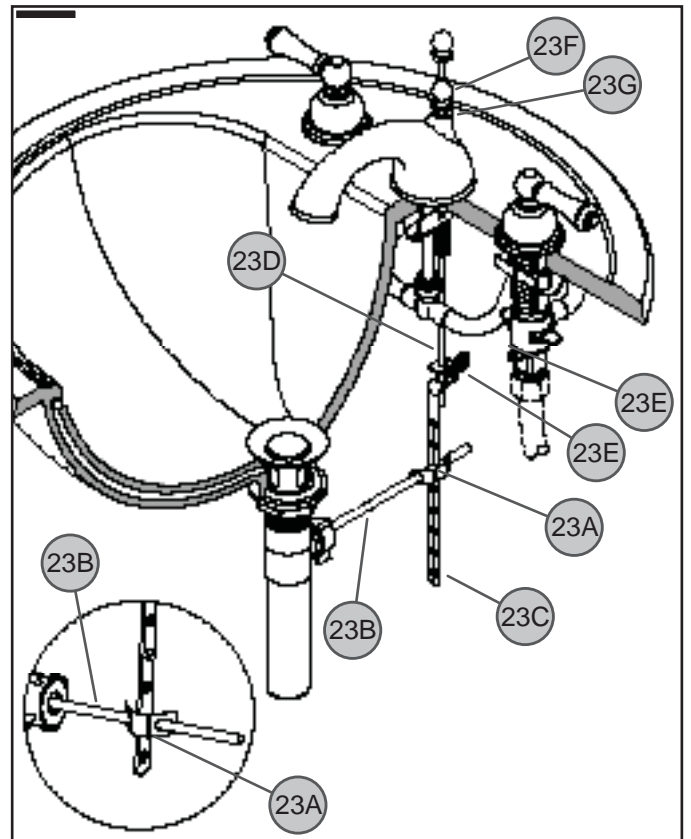
21 POP-UP BALL ROD PREPARATION

Unscrew Nut (21A) from the Drain Body (21B) and retain one Packing Ring (21C) inside the Ball Rod Opening (21D). Take off the Spring Clip (21E) from the Ball Rod (21F).



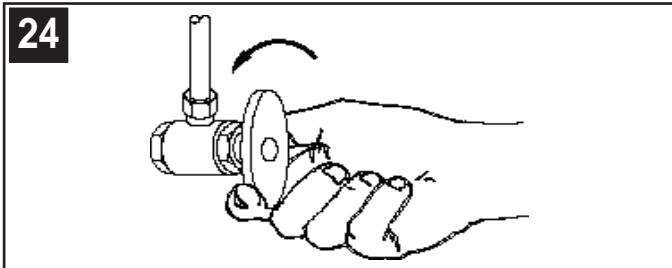
22 POP-UP BALL ROD INSTALLATION

Drop the Stopper (22A) into Drain Body (22B) with the Off-Set (22C) facing the rear. Place Nut (22G) and the other Packing Ring (22H) onto Ball Rod (22D). Insert the Ball Rod (22D) into the Ball Rod Opening (22E) through the Stopper Hole (22F) and secure with Nut (22G).



23 POP-UP ROD LINKAGE & ADJUSTMENT

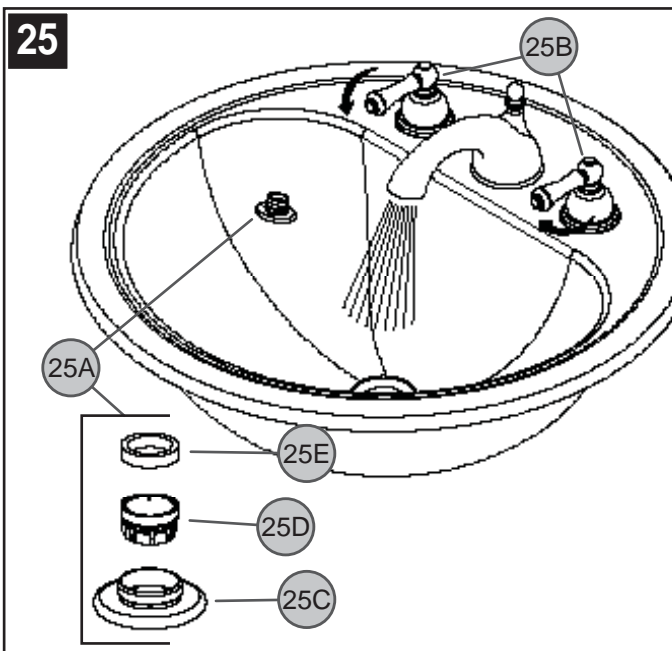
Place one end of Spring Clip (23A) onto the end of Ball Rod (23B). Insert the Ball Rod (23B) through a hole of Strap (23C). Connect the other end of Spring Clip (23A) to Ball rod (23B). Insert bottom of Lift Rod (23D) into the hole on top of Strap (23C). Adjust the Lift Rod (23D) height by tightening the Thumb Screw (23E) on the Strap (23C) or by placing the Ball Rod (23B) on another hole of Strap (23C). Be sure to leave enough space between Lift Rod Knob (23F) and Spout Head (23G) when Lift Rod is down.



24 UNIT START UP

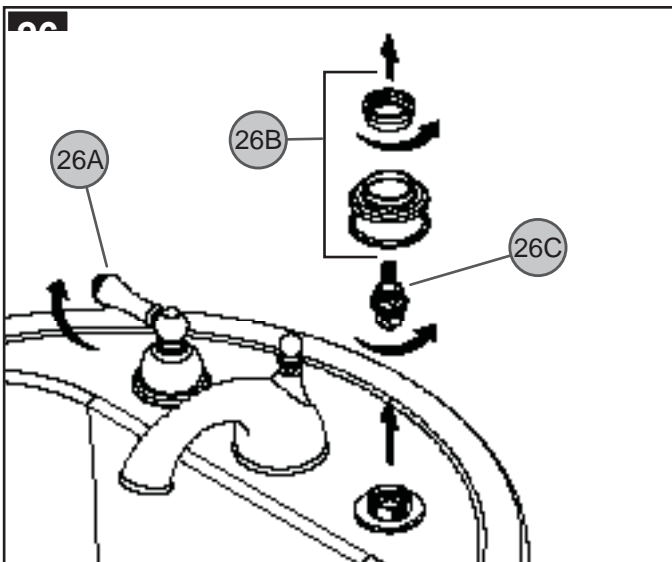
Turn on hot and cold water supplies, and check for leaks above and below the sink.

MAINTENANCE & CARE



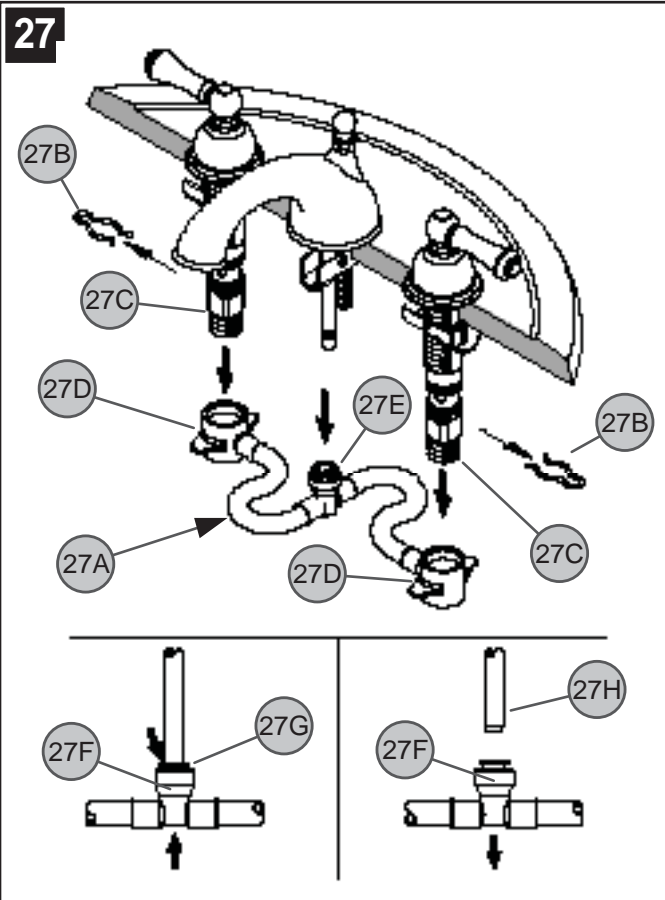
25 FLUSHING & AERATOR CLEANING

After installation is complete, remove Aerator Housing (25A). Turn Valves (25B) on and allow both hot and cold water to run for at least one minute each. While water is running, check for leaks. To clean the aerator, disassemble Aerator Housing (25A) by separating the Aerator Shell (25C), Basket (25D), and Washer (25E). Once parts have been cleaned, reassemble by reversing steps.



26 VALVE CARTRIDGE MAINTENANCE

Turn off water supplies and relieve pressure before working on your faucet (see step 2). Remove Handles (26A) (see step 14), Flange Fittings (26B) (see step 12). Unscrew Cartridge Assembly (26C) and inspect. Replace parts as necessary.



27 HOSE CONNECTION REMOVAL

To detach Hose Assembly (27A), remove Clips (27B) from End Bodies (27C) and pull the End Connectors (27D) from End Bodies (27C). Remove Center Connector (27E) by pushing up on the Quick Connect Housing (27F), holding gray plastic Collet (27G) in place, and pulling down on Quick Connect Housing (27F) until Tube (27H) is free.

⚠ CAUTION: Maintenance

DISASSEMBLY

1. Replacement parts may be available at the store where you purchased your faucet.
2. When replacement parts are not available, please write or call Price Pfister Consumer Service.
3. Always turn off water and relieve pressure before working on your faucet.

⚠ NOTE: Trim Care

Cleaning Instructions:

For all handles and decorative finishes, use only a soft damp cloth to clean and shine. Use of polish, detergents, abrasive cleaners, organic solvents, or acid may cause damage. Use of other than a soft damp cloth will nullify our warranty!

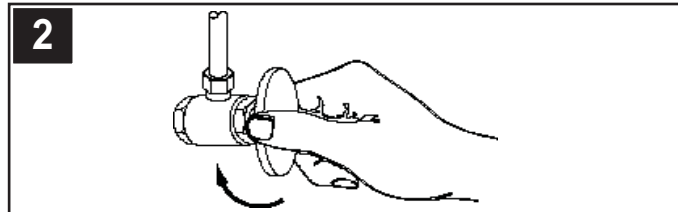
Special Trim:

Trim products which contain porcelain or other similar substances are not acceptable for public areas or commercial use. Installation of said trim is at user's risk!

Le agradecemos su compra de este grifo para baño Price Pfister. Todos los productos Price Pfister se diseñan cuidadosamente y se prueban en fábrica para suministrar un uso sin problemas bajo condiciones normales. Este grifo para baño es fácil de instalar utilizando herramientas básicas y nuestras instrucciones con gráficos fáciles de seguir. Si tiene cualquier pregunta acerca de la instalación de su grifo para baño llame al 1-800-Pfaucet (1-800-732-8238). **1 ANTES**

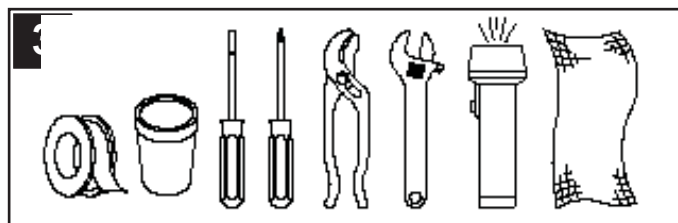
DE PROCEDER

ADVERTENCIA: Antes de proceder, lea completamente todas las instrucciones. Price Pfister recomienda llamar a un profesional si no se está seguro acerca de cómo instalar este producto. Este producto debe instalarse de acuerdo a los códigos de plomería y de construcción locales y estatales.



2 CIERRE EL SUMINISTRO DE AGUA

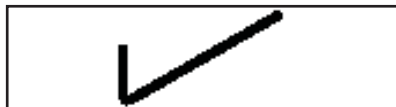
Ubique las entradas del suministro de agua y cierre las válvulas de suministro de agua. Generalmente se encuentran debajo del fregadero o cerca del medidor de agua. Si se trata de un reemplazo de grifo, quite el grifo viejo y limpie completamente la superficie del fregadero.



3 HERRAMIENTAS RECOMENDADAS

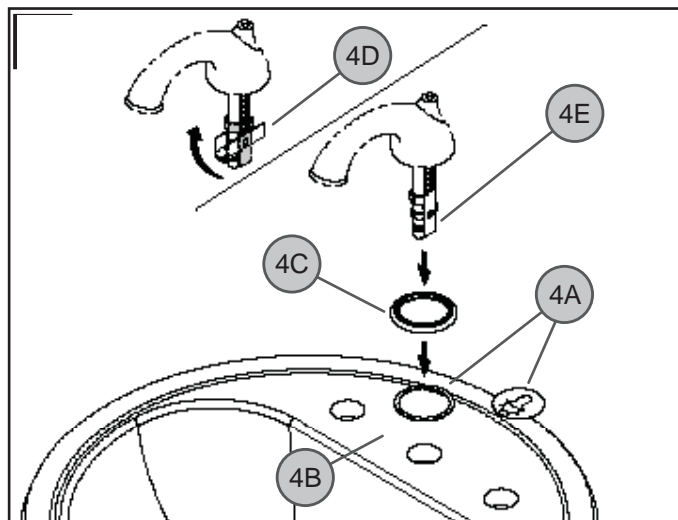
- Cinta para plomería PTFE o sello para roscas
- Destornillador recto
- Llave ajustable
- Masilla para plomería
- Destornillador en cruz
- Tenazas
- Linterna de mano
- Paño

Para hacer la instalación podría ser necesario contar con nuevas tuberías de suministro, válvulas de cierre o herramientas adicionales.



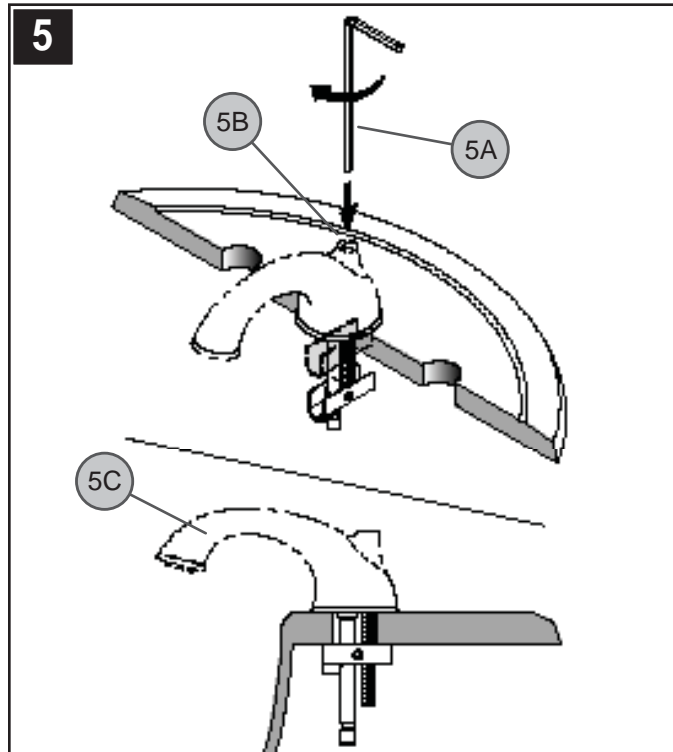
Este producto incluye una llave hexagonal que se usa para apretar el surtidor.

PASOS PARA INSTALACIÓN



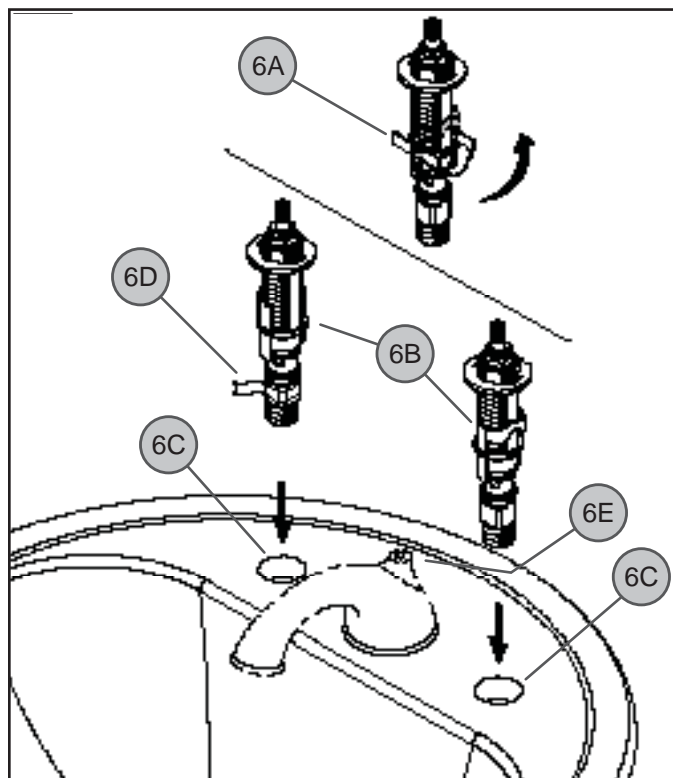
4 INSTALACIÓN DEL SURTIDOR

(Se muestra el Modelo Georgetown 49-B) Dependiendo del modelo, coloque el anillo de sellado de plástico o la arandela protectora (4A) contra el extremo superior del agujero central (4B). Para los modelos Carmel y Georgetown, coloque el anillo de base del surtidor (4C) sobre el mostrador. Gire el soporte de retención (4D) a la posición vertical, tal como se muestra. Inserte la espiga del surtidor (4E) a través del agujero central del lavamanos.



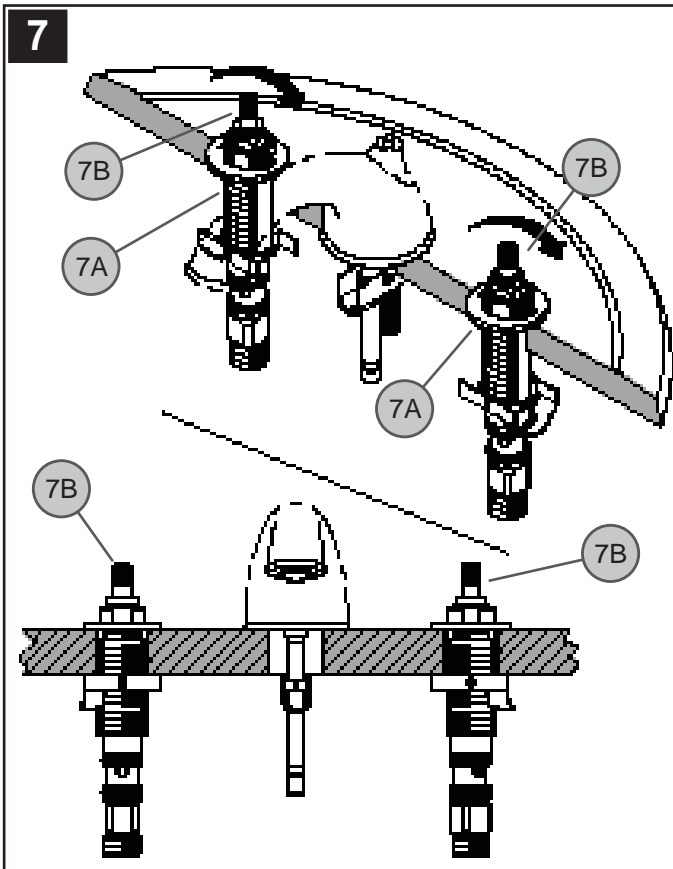
5 SUJECIÓN DEL SURTIDOR

Desde arriba, inserte la llave hexagonal (5A) en el agujero de vaciado rápido en el surtidor (5B). Gire la llave hexagonal (5A) en sentido horario para apretar. Antes del ajuste final, verifique que el surtidor (5C) está centrado y de frente hacia adelante.



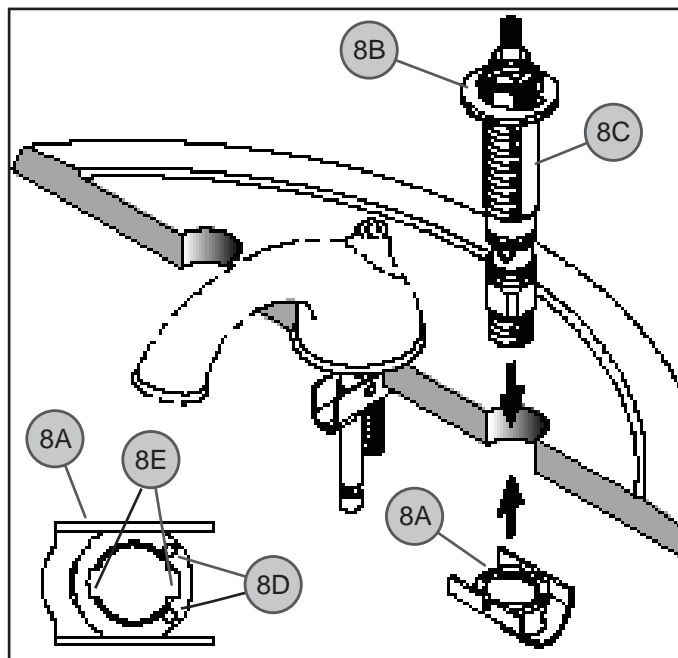
6 INSTALACIÓN DEL CUERPO DE LA VÁLVULA

Gire el soporte de retención (6A) a la posición vertical. Inserte el cuerpo de la válvula (6B) a través de los agujeros de montaje (6D) en el extremo superior del lavamanos. La válvula de AGUA CALIENTE, marcada con una etiqueta roja (6D) debe situarse al lado izquierdo del surtidor (6E).



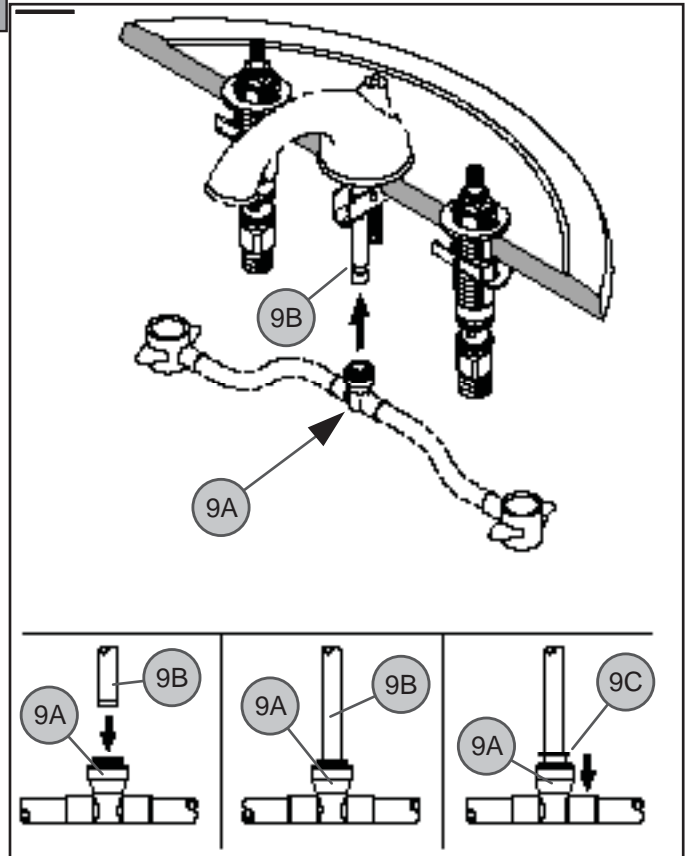
7 SUJECIÓN DE LOS CUERPOS DE LAS VÁLVULAS

Desde arriba del lavamanos, sujete la brida plana (7A) y gire el cuerpo de la válvula (7B) a mano en sentido horario hasta que el conjunto quede ajustado. Apriete el cuerpo de la válvula con una llave ajustable, 1 vuelta máximo. Si se utiliza una manija de palanca o en cruz, gire el cuerpo de la válvula para alinear la manija. (NO APRETAR DEMASIADO.)



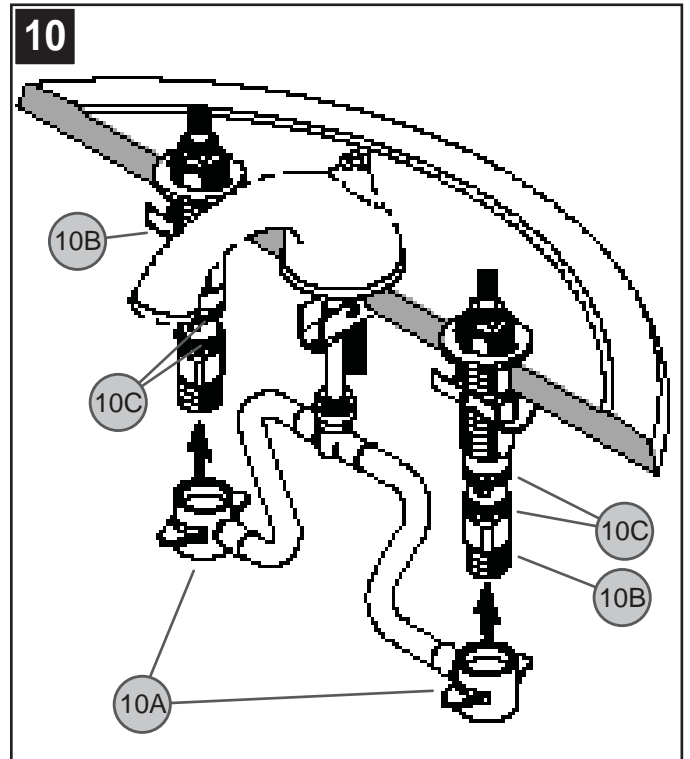
8 INSTALACIÓN DEL CUERPO DE LA VÁLVULA EN EL AGUJERO PEQUEÑO DEL LAVAMANOS

Si el agujero del lavamanos es demasiado pequeño para el conjunto de la válvula, quite la tuerca de retención (8A) sujetando la brida (8B) en posición y girando el cuerpo de la válvula en sentido contra horario hasta que la tuerca se separe del cuerpo de la válvula. Inserte el cuerpo de la válvula desde arriba del lavamanos a través del agujero en el mismo. Atornille la tuerca de retención (8A) desde abajo del lavamanos. Asegúrese de que las orejas (8C) se deslicen a través de las ranuras (8E) en la tuerca de retención (8A) y que el lado plano de la tuerca quede con el frente hacia arriba. Asegúrese de que las cavidades (8D) en la tuerca queden con el frente hacia abajo.



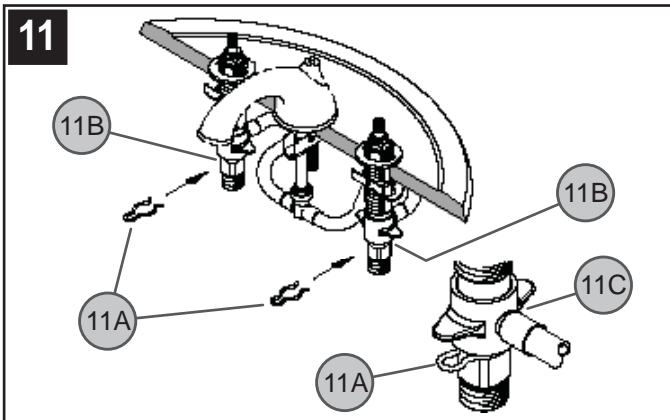
9 CONEXIÓN DE LA MANGUERA AL SURTIDOR

Desde abajo del lavamanos, empuje el conector central (9A) sobre el tubo de recibo (9B) hasta que ya no sea posible empujarlo más. Tire hacia abajo la caja de conexión rápida (9A). Si la caja y la boquilla interior (9C) se separan ligeramente pero no se desprenden del tubo de recibo (9B), la conexión rápida está firme.



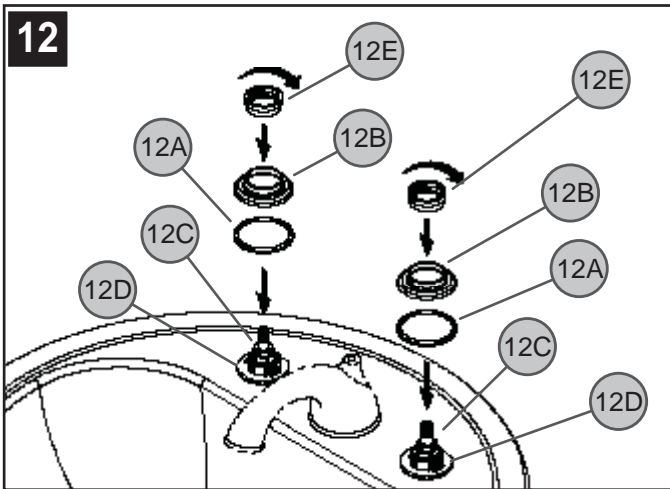
10 CONEXIÓN DE LA MANGUERA AL CUERPO DE LA VÁLVULA

Deslice los conectores de los extremos (10A) sobre los cuerpos de las válvulas (10B). Empuje los conectores de los extremos (10A) hasta que queden completamente asentados. Tenga cuidado para no dañar los anillos en O (10C).



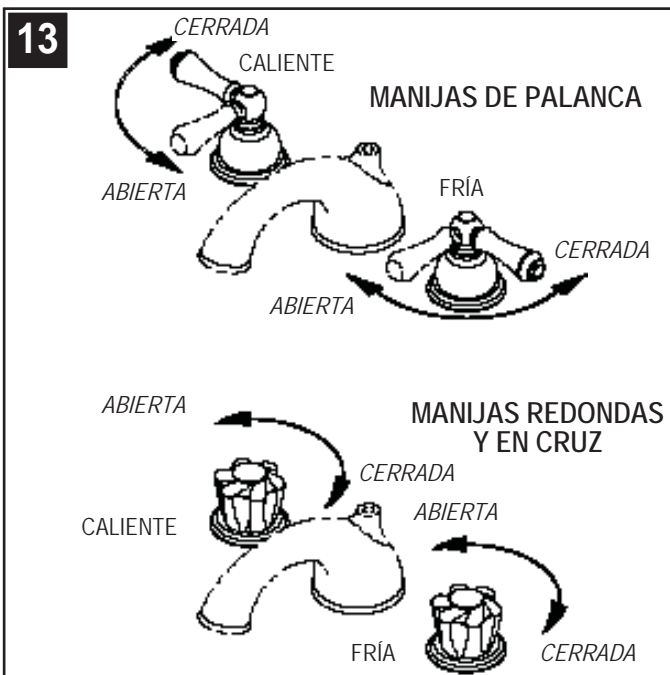
11 AFIANZAMIENTO DE LAS CONEXIONES DE LAS MANGUERAS

Deslice las presillas (11A) sobre los cuerpos de los extremos (11B), debajo de los conectores de los extremos (11C).



12 INSTALACIÓN DE LA BRIDA

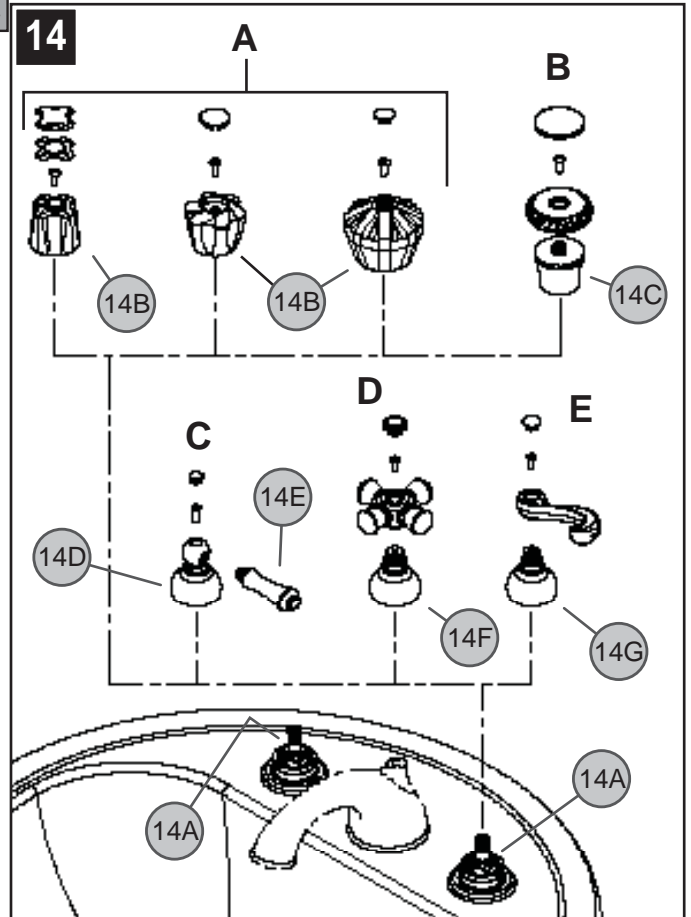
Coloque el anillo de plástico (12A) y la brida (12B) sobre el cuerpo de la válvula (12C) cubriendo la arandela del cuerpo de la válvula (12D). Afiance atornillando la tuerca de plástico (12E) sobre el cuerpo de la válvula (12C).



13 FUNCIÓN DE LA VÁLVULA

Manijas de palanca – válvula de AGUA FRÍA: cerrar – en sentido contra horario, abrir – en sentido horario; Válvula de agua CALIENTE: cerrar – en sentido horario, abrir – en sentido contrahorario.

Manijas redondas y en cruz – válvulas de AGUA FRÍA y AGUA CALIENTE: cerrar en sentido horario, abrir en sentido contra horario.



14 INSTALACIÓN DE LA MANIJA

Antes de proseguir, los vástagos de las válvulas (14A) deben estar en la posición cerrada.

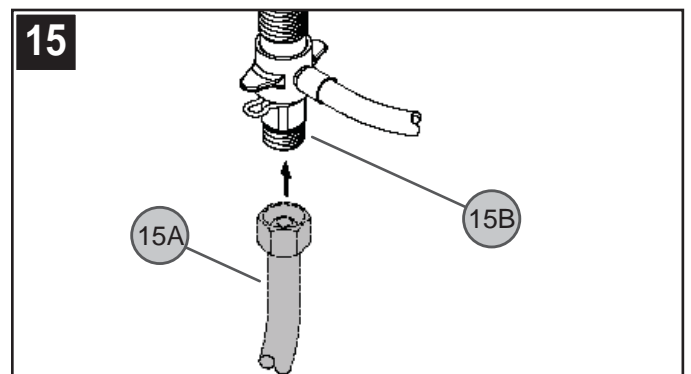
A. Instalación de la manija redonda: Instale la manija (14B) sobre el vástago de la válvula (14A). Sujétela con el tornillo. Instale el rótulo de la manija Rojo – lado de la “agua caliente”, azul – lado de la “agua fría” sobre la manija (14B). Instale el botón en el orificio de la manija.

B. Instalación de la manija de anillo tipo cuerda: Instale el cubo de la manija (14C) sobre el vástago de la válvula (14A), luego el anillo tipo cuerda. Sujétela con el tornillo. Inserte el botón en el anillo tipo cuerda y presiónelo.

C. Instalación de la manija de palanca: Instale el cubo de la manija (14D) en la posición deseada sobre el vástago de la válvula (14A) y sujételo con el tornillo. Apriete a mano la palanca ornamental (14E) sobre el cubo de la manija. Coloque el botón.

D. Instalación de la manija en cruz: Instale el cubo de la manija (14F) sobre el vástago de la válvula (14A). Instale la manija en cruz sobre el cubo de la manija y sujétela con el tornillo. Coloque el botón.

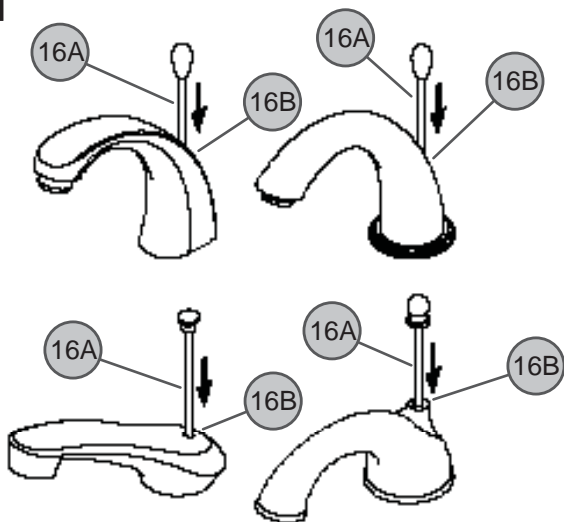
E. Instalación de la manija de palanca estilo francés: Instale el cubo de la manija (14G) sobre el vástago de la válvula (14A). Instale la manija estilo francés sobre el cubo de la manija en la posición deseada y sujétela con el tornillo. Coloque el botón.



15 WATER SUPPLY CONNECTIONS

Connect water Supply Lines (15A) to Valve Inlets (15B). (Supply lines and fittings are not included.) Please follow manufacturer's instructions when installing supply lines.

16



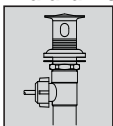
16 CONEXIÓN DE LA BARRA DE LEVANTAMIENTO

Inserte la barra de levantamiento (16A) en el agujero en la parte posterior del surtidor (16B). Deslice suavemente la barra de levantamiento (16A) hacia abajo en el agujero del surtidor (16B).

PASOS PARA LA INSTALACIÓN DEL CUERPO DE DRENAJE DE VACIADO RÁPIDO

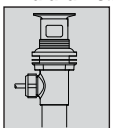
El grifo puede instalarse con un mecanismo de vaciado rápido 50/50 o completo de metal:

Para la instalación de un mecanismo de vaciado rápido 50/50:



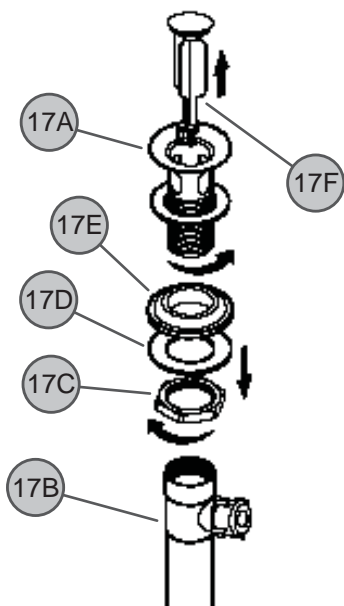
Continúe con los pasos 17 y 18

Para la instalación de un mecanismo de vaciado rápido completo de metal:



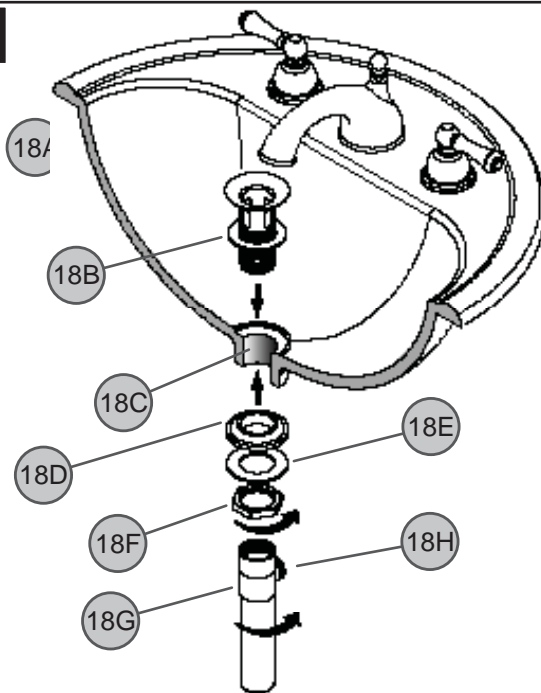
Continúe con los pasos 19 y 20

17



17 PREPARACIÓN DEL MECANISMO DE VACIADO RÁPIDO
Retire la brida (17A) del cuerpo de drenaje (17B). Quite la contratuerca (17C), arandela de fricción (17D), arandela de hule (17E) y el tapón (17F) de la brida (17A).

18

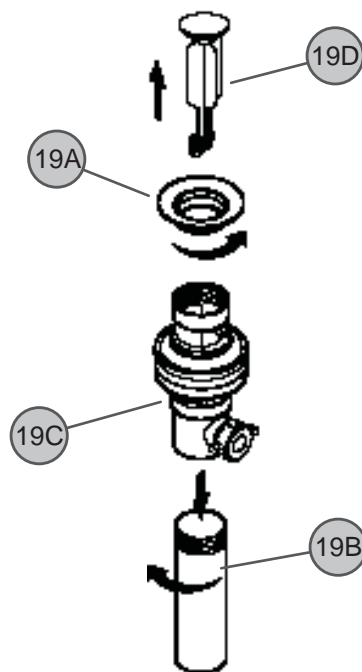


18 INSTALACIÓN DEL MECANISMO DE VACIADO RÁPIDO

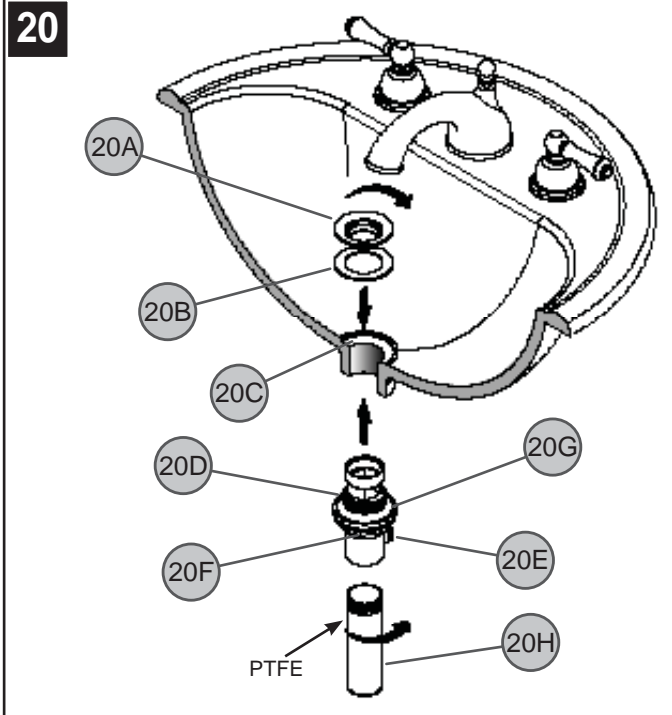
La brida (18A) puede instalarse con o sin sello de hule (18B). Si la brida (18A) se instala sin sello de hule, aplique pequeño cordón de masilla de plomería debajo de la brida (18A) y alrededor del agujero de drenaje (18C). Inserte la brida (18A) en el agujero de drenaje (18C). Desde abajo, deslice la arandela de hule (18D) y la arandela de fricción (18E) sobre el extremo inferior de la brida (18A). Atornille la contratuerca (18F) hasta que la arandela de hule (18D) se asiente firmemente dentro del agujero de drenaje (18C). Quite el exceso de masilla de plomería. Aplique cinta de plomero de PTFE a las roscas externas inferiores de la brida (18A) de acuerdo con las instrucciones del fabricante. Atornille el cuerpo de drenaje (18G) al extremo inferior de la brida (18A) y ajústelo de manera que el agujero de la barra de rótula (18H) quede de frente hacia atrás.

Continúe con el Paso 21

19

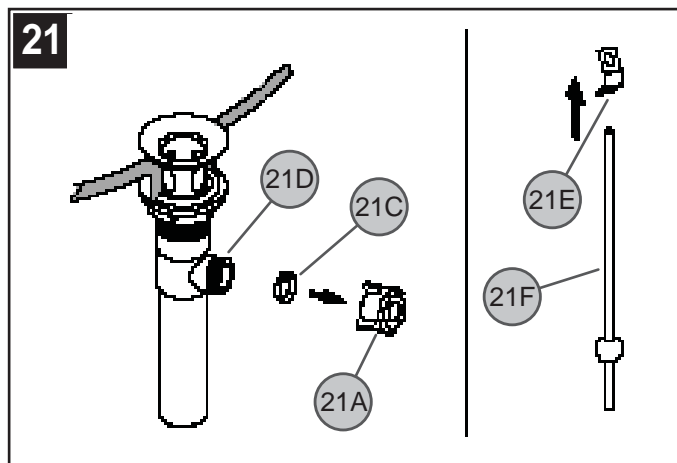


19 PREPARACIÓN DEL MECANISMO DE VACIADO RÁPIDO
Retire la brida (19A) y la pieza del extremo (19B) del cuerpo de drenaje (19C). Quite el tapón (19D) de la brida (19A).



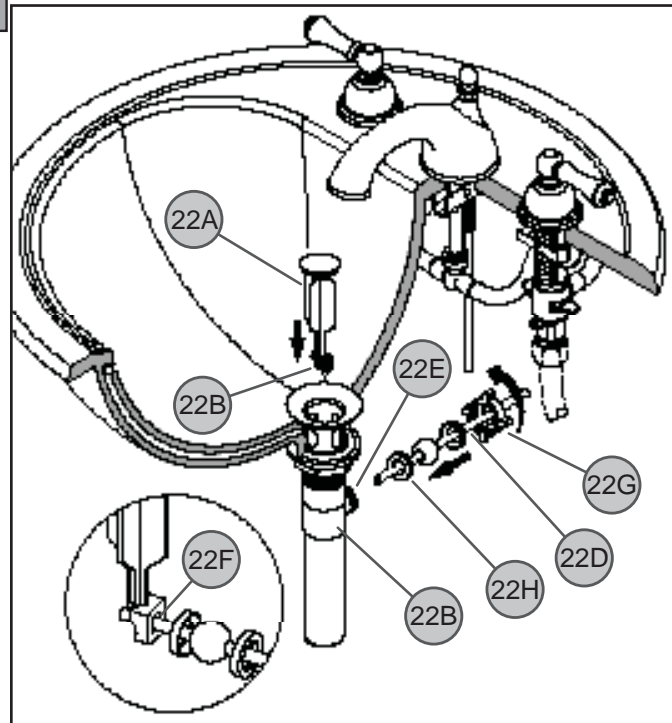
20 INSTALACIÓN DEL MECANISMO DE VACIADO RÁPIDO METÁLICO

La brida (20A) puede instalarse con o sin sello de hule (20B). Si la brida (20A) se instala sin sello de hule, aplique pequeño cordón de masilla de plomería debajo de la brida (20A) y alrededor del agujero de drenaje (20C). Desde abajo, inserte el extremo roscado del cuerpo del drenaje (20D) a través del agujero de drenaje (20C). Apriete con la mano la brida (20A) sobre el cuerpo del drenaje (20D) desde el extremo superior del lavabo. Desde abajo, ajuste el cuerpo del drenaje (20D) de manera que el agujero de la barra de rótula (20E) apunte hacia atrás. Enrosque la contratuerca (20F) desde abajo del lavabo hasta que la arandela de hule (20G) quede asentada firmemente dentro del agujero de drenaje (20C). Quite el exceso de masilla de plomería. Aplique cinta de plomero de PTFE a las roscas externas superiores de la pieza del extremo (20H) de acuerdo con las instrucciones del fabricante. Atornille la pieza del extremo (20H) al extremo inferior del cuerpo de drenaje (20D).



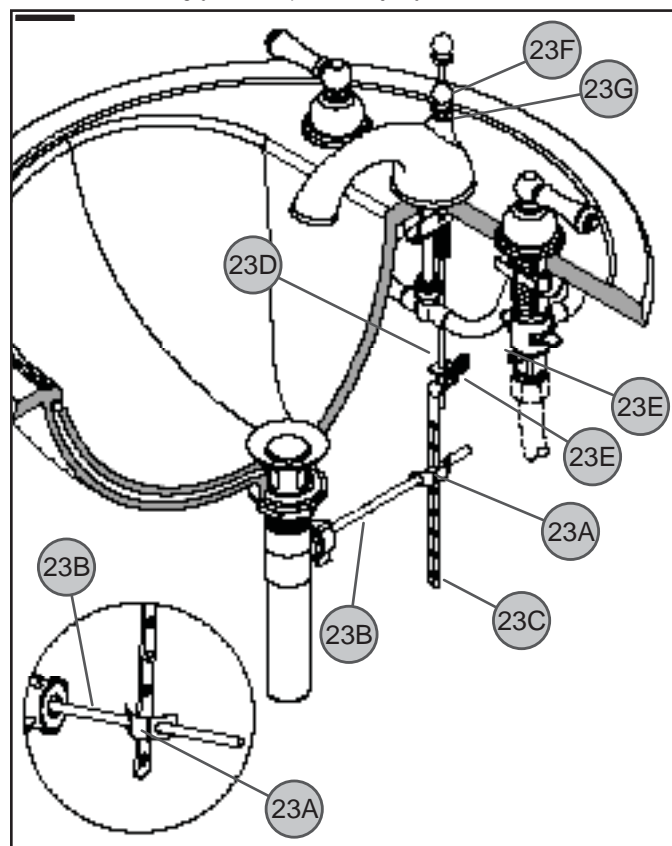
21 PREPARACIÓN DE LA BARRA DE RÓTULA DE VACIADO RÁPIDO

Destornille la tuerca (21A) del cuerpo de drenaje (21B) y retenga un anillo de empaque (21C) dentro del orificio de la barra de rótula (21D). Retire la presilla de resorte (21E) de la barra de rótula (21F).



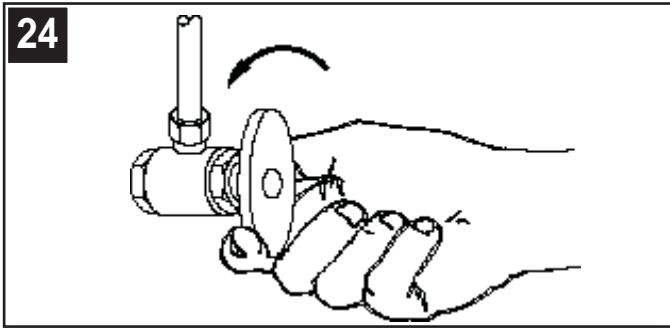
22 INSTALACIÓN DE LA BARRA DE RÓTULA DE VACIADO RÁPIDO

Baje el tapón (22A) en el cuerpo del drenaje (22B) con el rebajo (22C) apuntando hacia atrás. Coloque la tuerca (22G) y el otro anillo de empaque (22H) sobre la barra de rótula (22D). Inserte la barra de rótula (22D) en el agujero para la barra (22E) a través del agujero del tapón (22F) y sujételo con la tuerca (22G).



23 CONEXIÓN Y AJUSTE DE LA BARRA DE VACIADO RÁPIDO

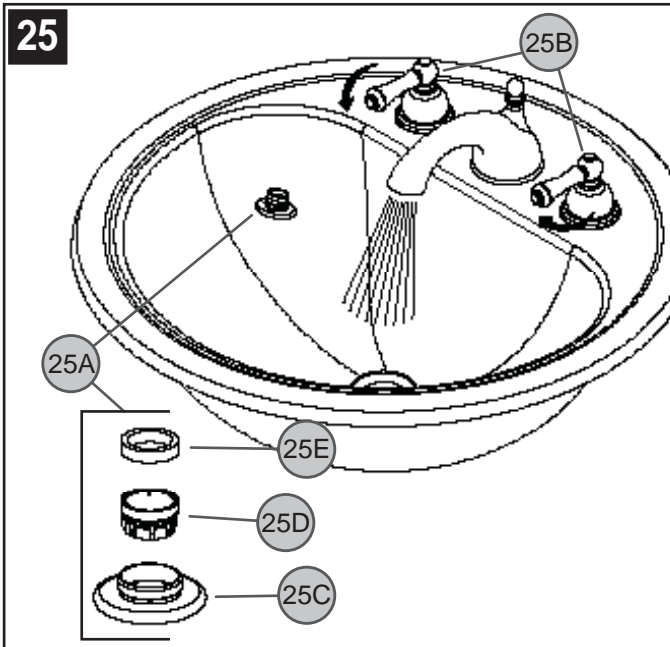
Coloque un extremo de la presilla de resorte (23A) sobre el extremo de la barra de rótula (23B). Inserte la barra de rótula (23B) a través de un agujero de la correa (23C). Conecte el otro extremo de la presilla de resorte (23A) a la barra de rótula (23B). Inserte el extremo inferior de la barra de levantamiento (23D) en el agujero sobre la correa (23C). Ajuste la altura de la barra de levantamiento (23D) apretando el tornillo de mariposa (23E) en la correa (23C) o colocando la barra de rótula (23B) en otro agujero de la correa (23C). Asegúrese de dejar suficiente espacio entre la perilla (23F) y la brida (23G) de la barra de levantamiento (23G) cuando la barra está en posición hacia abajo.



24 FUNCIONAMIENTO DE LA UNIDAD

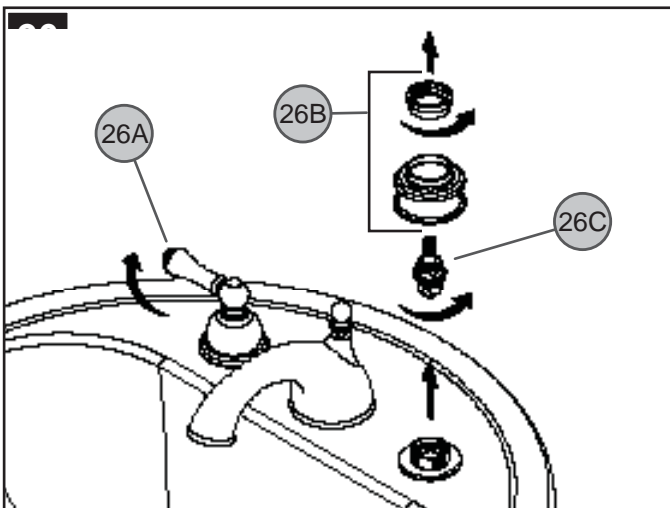
Abra los suministros de agua caliente y fría, y verifique que no haya fugas arriba y debajo del lavamanos.

MANTENIMIENTO Y CUIDADO



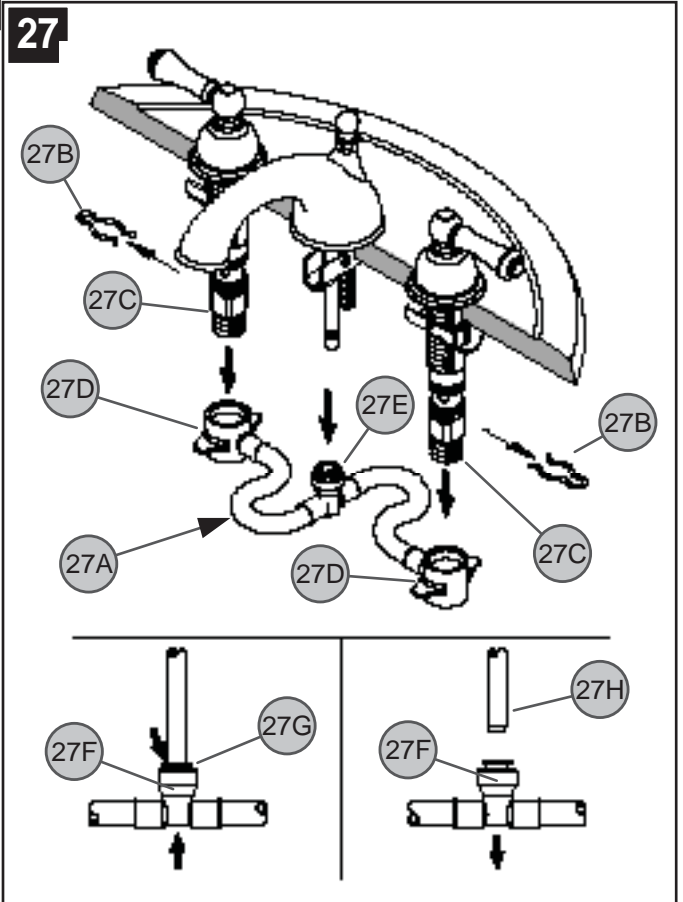
25 ENJUAGUE Y LIMPIEZA DEL AERADOR

Luego de efectuar la instalación, retire la caja del arreador (25A). Gire las válvulas (25B) a la posición abierta y deje correr el agua fría y caliente por lo menos un minuto cada una. Mientras el agua corre, verifique que no hay fugas. Para limpiar el arreador, desarme la caja del arreador (25A) separando el casco (25C), la cesta (25D) y la arandela (25E) del arreador. Una vez que haya limpiado las partes, reensámblelas siguiendo estos pasos en orden inverso.



26 MANTENIMIENTO DEL CARTUCHO DE LA VÁLVULA

Cierre los suministros de agua y alivie la presión antes de trabajar en el grifo (consulte el paso 2). Retire las manijas (26A) (ver el paso 14) y los conectores de las bridas (26B) (ver el paso 12). Destornille el conjunto del cartucho (26C) e inspecciónelo. Reemplace las partes según sea necesario.



27 RETIRO DE LA CONEXIÓN DE LA MANGUERA

Para desconectar el conjunto de la manguera (27A), retire las presillas (27B) de los cuerpos de los extremos (27C) y tire los conectores de los extremos (27D) de los cuerpos de los extremos (27C). Retire el conector central (27E) empujando hacia arriba la caja de conexión rápida (27F), manteniendo la boquilla de plástico gris (27G) en posición y tirando la caja de conexión rápida (27F) hacia abajo hasta desprender el tubo (27H).

PRECAUCIÓN: Mantenimiento CÓMO DESARMAR:

1. El almacén donde compró su grifo podría tener repuestos disponibles.
2. Cuando no hay repuestos disponibles, sírvase escribir o llamar al departamento de servicio al consumidor de Price Pfister.
3. **Siempre antes de efectuar algún trabajo en su grifo, cierre el agua y elimine la presión.**

NOTA: Cuidado del Acabado

Instrucciones para limpieza:

Para limpiar y hacer brillar las manijas y el acabado decorativo use solamente un paño suave y húmedo. El uso de pulidores, detergentes, limpiadores abrasivos, solventes orgánicos o ácidos puede provocar daños. **¡El uso de algo más que un paño suave y húmedo invalida nuestra garantía!**

Acabados especiales:

Los productos con acabados que contienen porcelana u otras sustancias similares no son aceptables para áreas públicas ni para usos comerciales. ¡Su instalación bajo tales circunstancias es bajo el riesgo del usuario!

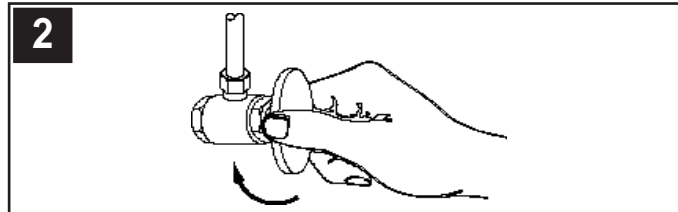
Merci d'avoir acheté ce robinet de salle de bain Price Pfister. Tous les produits Price Pfister sont fabriqués avec soin et contrôlés à l'usine pour offrir une longue durée de service sans problème dans des conditions d'utilisation normales. Il est facile de poser ce robinet de salle de bain à l'aide d'un outillage de base et de nos illustrations très claires. Pour toute question concernant la pose de ce robinet de salle de bain, appeler le 1-800-Pfaucet (1-800-732-8238).

1 AVANT DE PROCÉDER À LA POSE



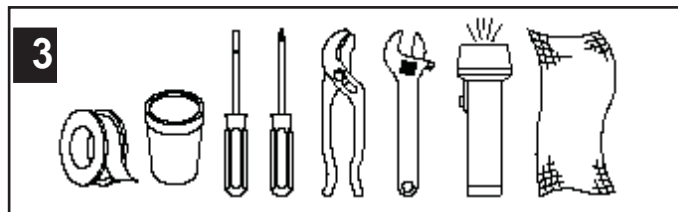
AVERTISSEMENT : Lire attentivement toutes les instructions avant de procéder à la pose. Price Pfister recommande de faire appel à un professionnel en cas d'incertitude quant à l'installation de ce produit !

Ce produit doit être installé conformément à l'ensemble de la réglementation locale et provinciale applicable à la plomberie et à la construction.



2 COUPURE DE L'ARRIVÉE D'EAU

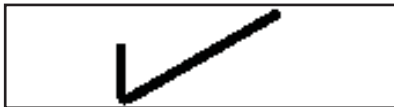
Repérer les arrivées d'eau et fermer leurs robinets. Ces robinets se trouvent généralement sous le lavabo ou à côté du compteur d'eau. En cas de remplacement d'un robinet existant, le déposer du lavabo et nettoyer soigneusement la surface de ce dernier.



3 OUTILLAGE RECOMMANDÉ

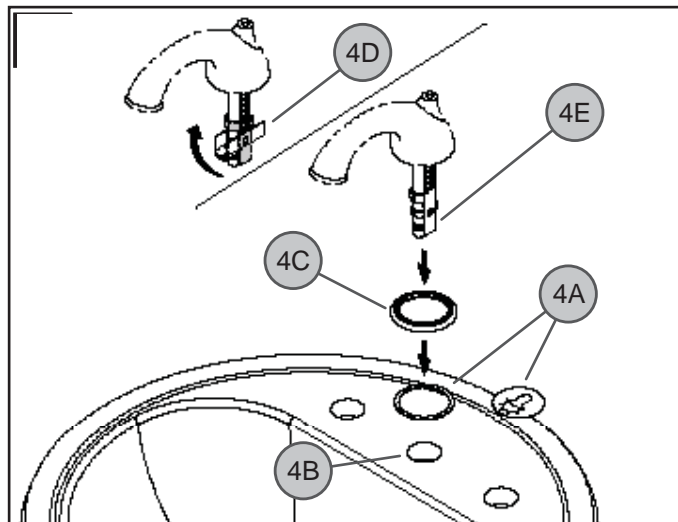
- Ruban PTFE de plombier ou mastic d'étanchéité de filetage
- Mastic de plombier
- Pince
- Chiffon
- Tournevis plat
- Tournevis cruciforme
- Clé à molette
- Lampe de poche

L'installation peut exiger des tuyaux d'arrivée et/ou des vannes d'arrêt neufs ou d'autres outils.



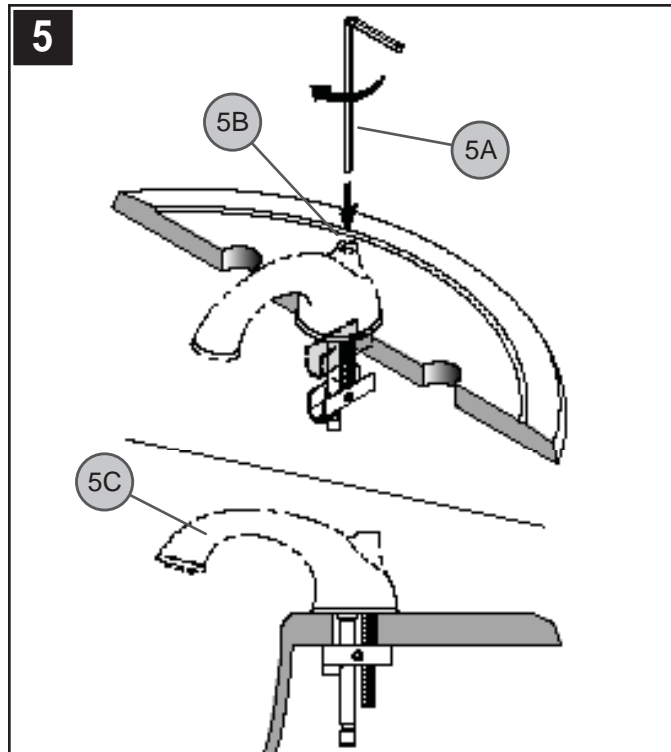
Ce produit est fourni avec une clé mâle coudée destinée au serrage le bec.

OPÉRATIONS DE POSE



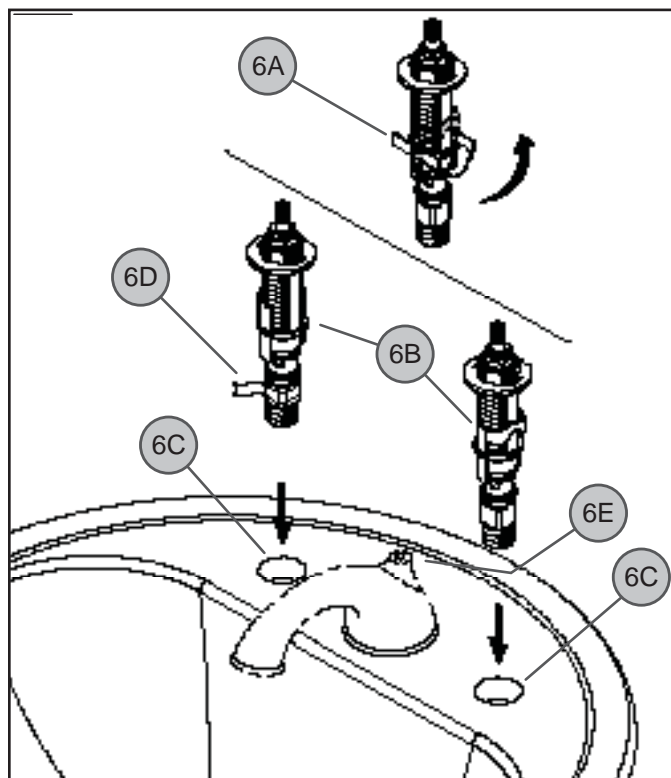
4 MONTAGE DU BEC

(Modèle Georgetown 49-B représenté) Suivant le modèle, placer un joint annulaire en plastique ou une rondelle protectrice (4A) contre le dessus du trou central (4B). Pour les modèles Carmel et Georgetown, placer l'anneau de base de bec (4C) sur le lavabo. Faire pivoter le support de retenue (4D) en position verticale comme indiqué. Enfoncer la tige du bec (4E) dans le trou central du lavabo.



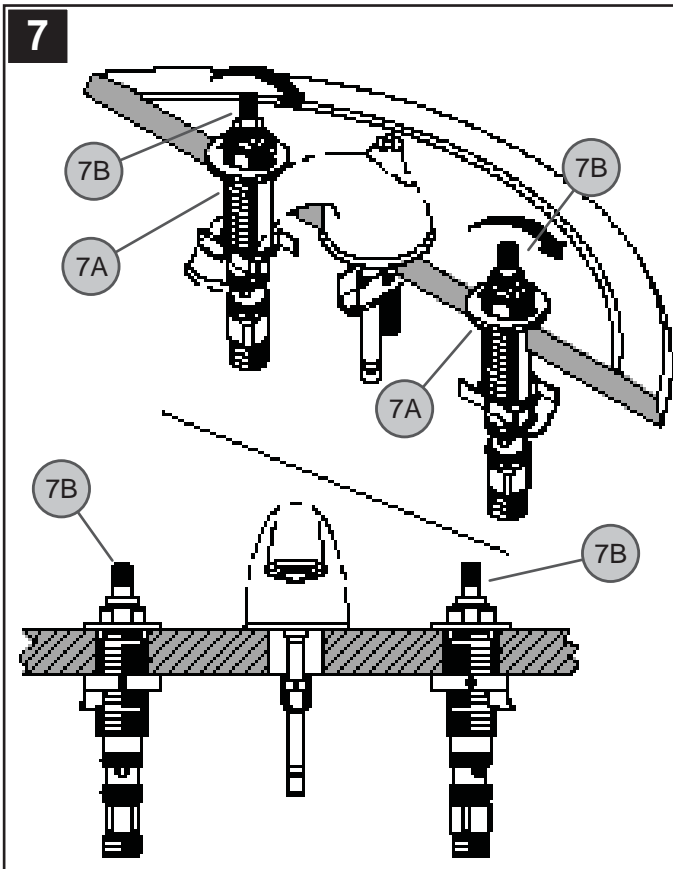
5 FIXATION DU BEC

Enfoncer du dessus la clé hexagonale (5A) dans le trou de tige de bonde (5B). Tourner la clé (5A) dans le sens horaire pour serrer. Avant le serrage final, s'assurer que le bec (5C) est centré et tourné vers l'avant.



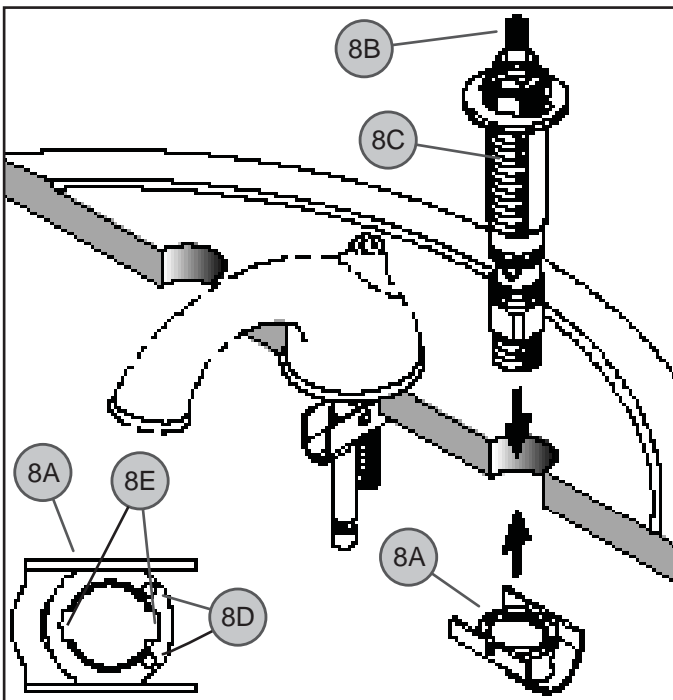
6 POSE DES CORPS DE ROBINET

Faire pivoter le support de retenue (6A) en position verticale. Insérer les corps de robinet (6B) dans les trous de montage du dessus du lavabo. Le robinet d'eau CHAUDE pourvu d'une étiquette rouge (6D) doit être positionné à gauche du bec (6E).



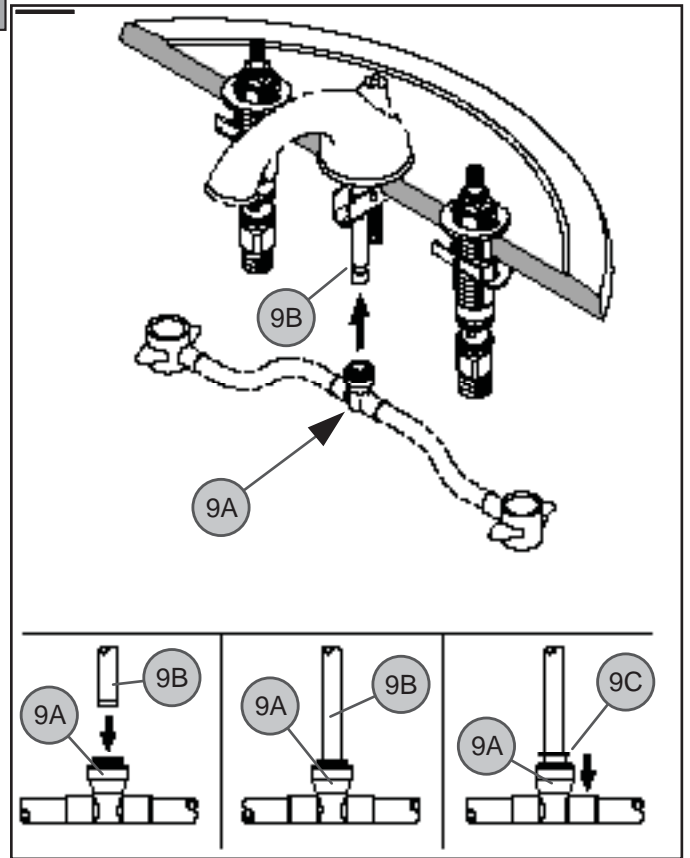
7 FIXATION DES CORPS DE ROBINET

Depuis le dessus du lavabo, maintenir la bride plate (7A) et tourner le corps de robinet avec (7B) les doigts dans le sens horaire jusqu'à ce qu'il soit serré à frottement doux. Serrer le corps de robinet à l'aide d'une clé à molette d'un tour au maximum. En cas d'utilisation d'une manette simple ou d'un croisillon, tourner le corps de robinet jusqu'à ce que l'alignement désiré de la manette soit obtenu. (NE PAS TROP SERRER)



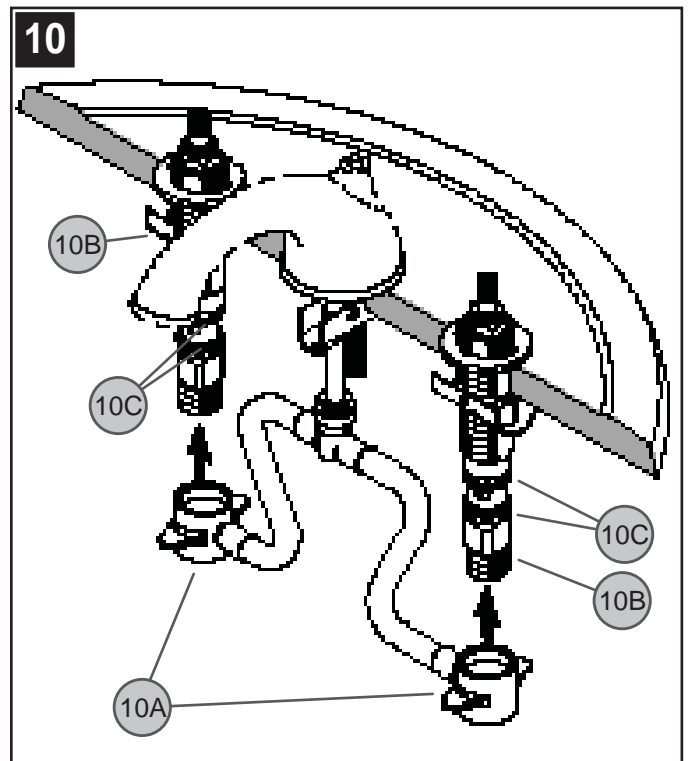
8 POSE D'UN CORPS DE ROBINET DANS UN TROU DE LAVABO TROP PETIT

Si le trou du lavabo est trop petit pour le robinet, retirer l'écrou de retenue (8A) en maintenant la bride (8B) en place et en tournant le corps de robinet dans le sens antihoraire jusqu'à ce que l'écrou de retenue s'en sépare. Insérer le corps depuis le dessus du lavabo dans le trou de celui-ci. Visser l'écrou de retenue (8A) depuis le dessous du lavabo. S'assurer que les ergots (8E) glissent dans les encoches (8D) de l'écrou de retenue (8A) et que le côté plat de ce dernier est sur le dessus. S'assurer que les bossages (8D) de l'écrou sont sur le dessus.



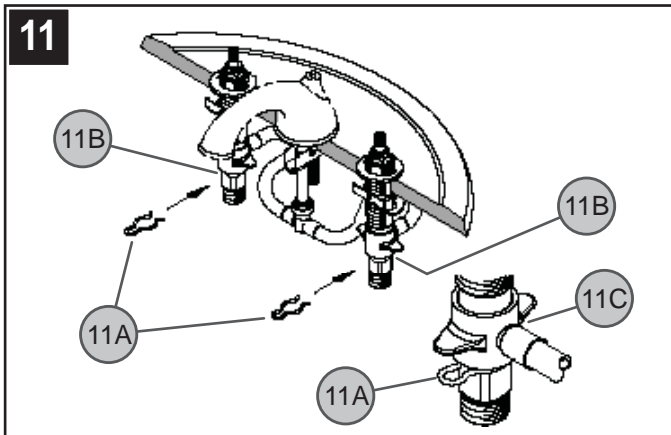
9 RACCORDEMENT DES FLEXIBLES AU BEC

Depuis le dessous du lavabo, enfoncer le raccord central (9A) à fond sur le tube récepteur (9B). Tirer le raccord rapide (9A) vers le bas. Si celui-ci et le collier intérieur (9C) se séparent légèrement du tube récepteur (9B) mais ne s'en détachent pas, le branchement est solide.



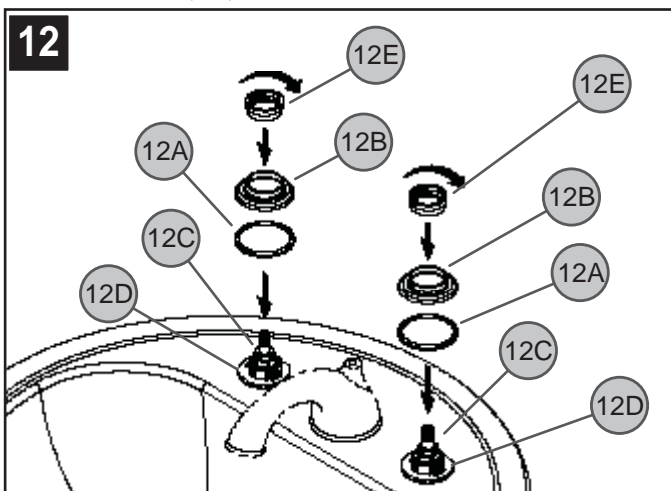
10 RACCORDEMENT DES FLEXIBLES AUX CORPS DE ROBINET

Glisser les raccords d'extrémité (10A) sur les corps de robinet (10B). Pousser ces raccords (10A) à fond vers le haut jusqu'à ce qu'ils soient bien en place. Faire attention de ne pas endommager les joints toriques (10C).



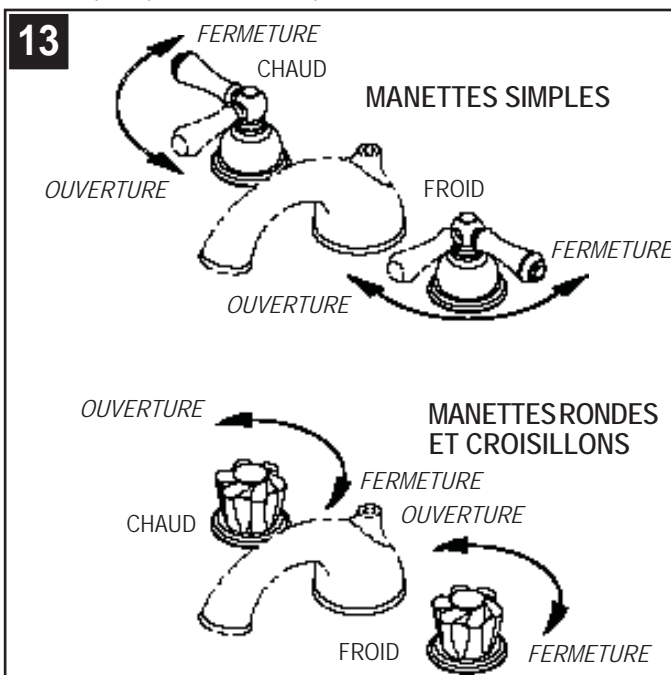
11 ASSUJETTISSEMENT DES BRANCHEMENTS DE FLEXIBLES

Glisser les attaches (11A) sur les corps d'extrémité (11B), en dessous des raccords d'extrémité (11C).



12 POSE DES BRIDES

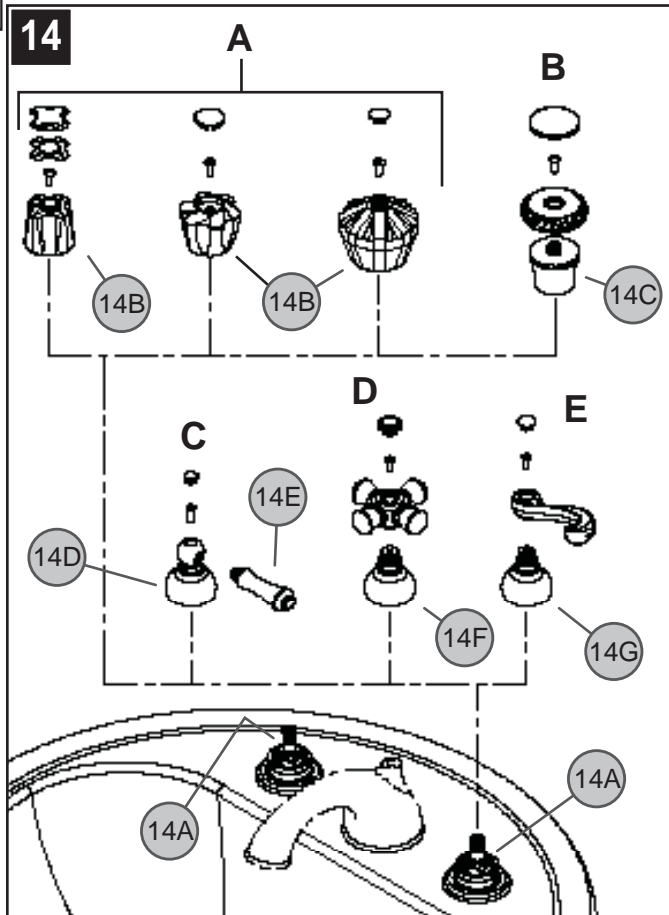
Placer l'anneau en plastique (12A) et la bride (12B) par-dessus le corps de robinet (12C) en recouvrant les rondelles (12D) de celui-ci. Assujettir en vissant l'écrou en plastique (12E) sur le corps de robinet (12C).



13 FONCTIONNEMENT DES ROBINETS

Manettes simples – Robinet d'eau FROIDE : fermeture - sens antihoraire, ouverture - sens horaire ; robinet d'eau CHAUDE : fermeture - sens horaire, ouverture - sens antihoraire.

Manettes rondes et croisillons – Robinets d'eau FROIDE et d'eau CHAUDE : fermeture - sens horaire et ouverture - sens antihoraire.



14 POSE DES MANETTES

Avant de procéder à l'opération, régler les tiges de robinet (14A) en position de fermeture.

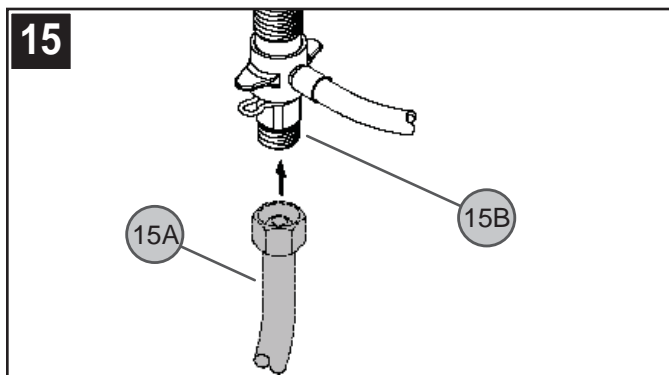
A. Pose des manettes rondes : monter la manette (14B) sur la tige de robinet (14A). La fixer au moyen de la vis. Emboîter l'insert (rouge - côté eau chaude, bleu - côté eau froide) sur la manette (14B). Enfoncer le capuchon dans l'orifice de la manette.

B. Pose des manettes à anneau torsadé : monter le moyeu (14C) puis l'anneau torsadé sur la tige de robinet (14A). Les fixer au moyen de la vis. Enfoncer ce capuchon dans l'anneau torsadé et appuyer.

C. Pose des manettes simples : monter le moyeu de manette (14D) dans la position désirée sur la tige de robinet (14A) et le fixer au moyen de la vis. Serrer la manette décorative (14E) avec les doigts sur le moyeu. Fixer le capuchon.

D. Pose des croisillons : Monter le moyeu de manette (14F) sur la tige de robinet (14A). Monter le croisillon sur le moyeu et le fixer au moyen de la vis. Fixer le capuchon.

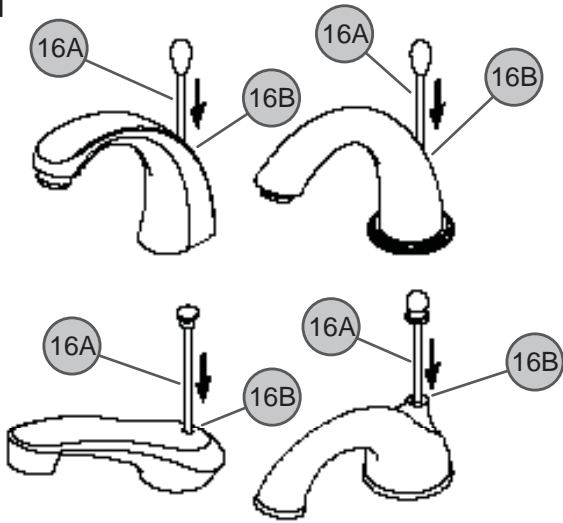
E. Pose des manettes à la française : Monter le moyeu de manette (14G) sur la tige de robinet (14A). Monter la manette à la française sur le moyeu dans la position désirée et la fixer au moyen de la vis. Fixer le capuchon.



15 RACCORDEMENT DES ARRIVÉES D'EAU

Raccorder les conduites d'alimentation en eau (15A) aux arrivées de robinet (15B). (Les conduites et les raccords ne sont pas fournis.) Suivre les instructions du fabricant lors de la pose des conduites d'alimentation.

16

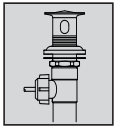
**16 RACCORDEMENT DE LA TIGE DE BONDE**

Introduire la tige de bonde (16A) dans le trou sur le dessus du bec (16B). Faire glisser doucement la tige (16A) dans le trou du bec (16B).

OPÉRATIONS DE POSE DU CORPS DE BONDE

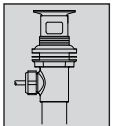
Le mélangeur peut être installé avec une bonde mixte ou une bonde entièrement métallique :

Pose d'une bonde mixte :



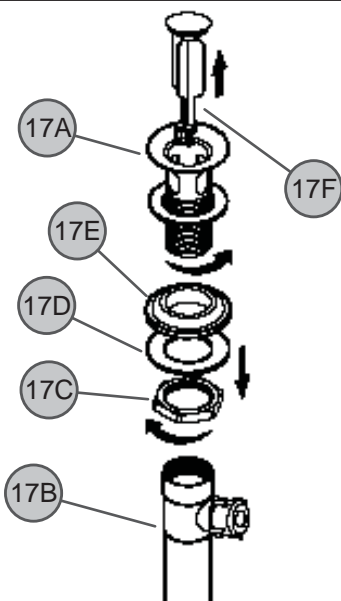
Passer aux étapes 17 et 18

Pose d'une bonde entièrement métallique :



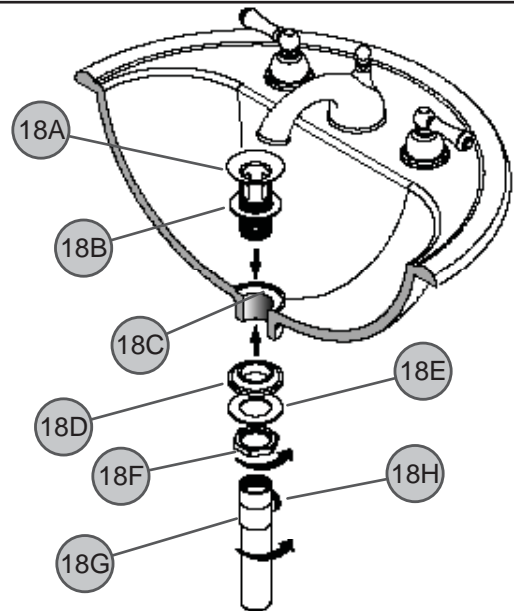
Passer aux étapes 19 et 20

17

**17 PRÉPARATION DE LA BONDE**

Retirer la bride (17A) du corps de bonde (17B). Enlever l'écrou de blocage (17C), la rondelle de friction (17D), la rondelle en caoutchouc (17E) et le tampon (17A).

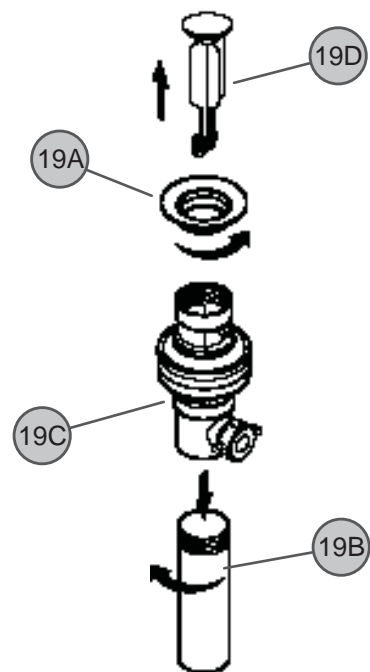
18

**18 POSE DE LA BONDE**

La bride (18A) peut être posée avec ou sans joint en caoutchouc (18B). Si la bride (18A) est posée sans joint en caoutchouc, appliquer un petit cordon de mastic de plombier sous la bride (18A) et autour de l'orifice d'écoulement (18C). Insérer la bride (18A) dans l'orifice d'écoulement (18C). Depuis le dessous, glisser la rondelle en caoutchouc (18D) et la rondelle de friction (18E) sur le dessous de la bride (18A). Visser l'écrou de blocage (18F) jusqu'à ce que la rondelle en caoutchouc (18D) soit bien en place à l'intérieur de l'orifice d'écoulement (18C). Enlever l'excédent de mastic de plombier. Enrouler du ruban PTFE sur le bas du filetage externe de la bride (18A) conformément aux instructions du fabricant. Visser le corps de bonde (18G) sur le bas de la bride (18A) et régler de façon à ce que l'orifice de la tige à boule (18H) soit tourné vers l'arrière.

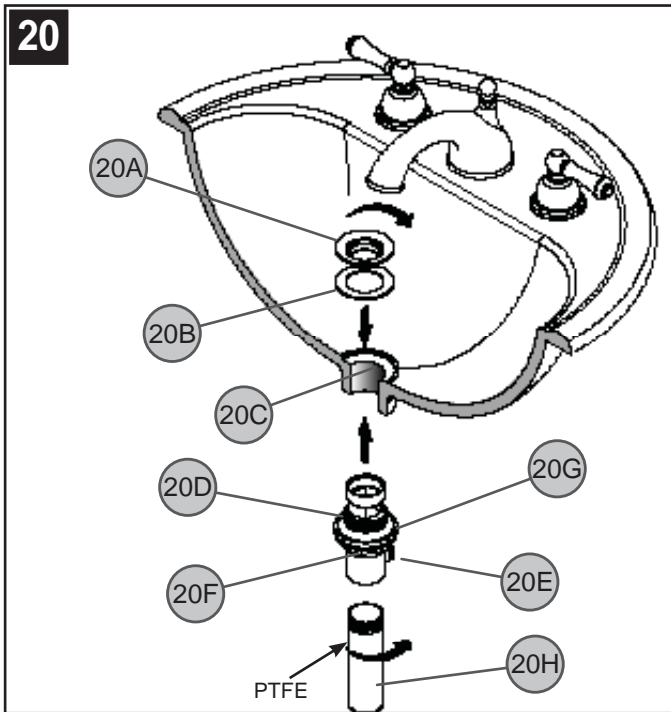
Passer à l'étape 21

19

**19 PRÉPARATION DE LA BONDE**

Retirer la bride (19A) et la queue (19B) du corps de bonde (19C). Enlever le tampon (19D) de la bride (19A).

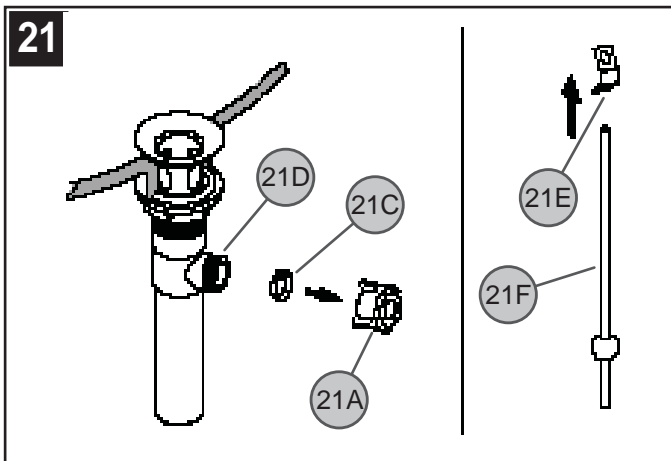
20



20 INSTALLATION DE LA BONDE ENTièrement MÉTALLIQUE

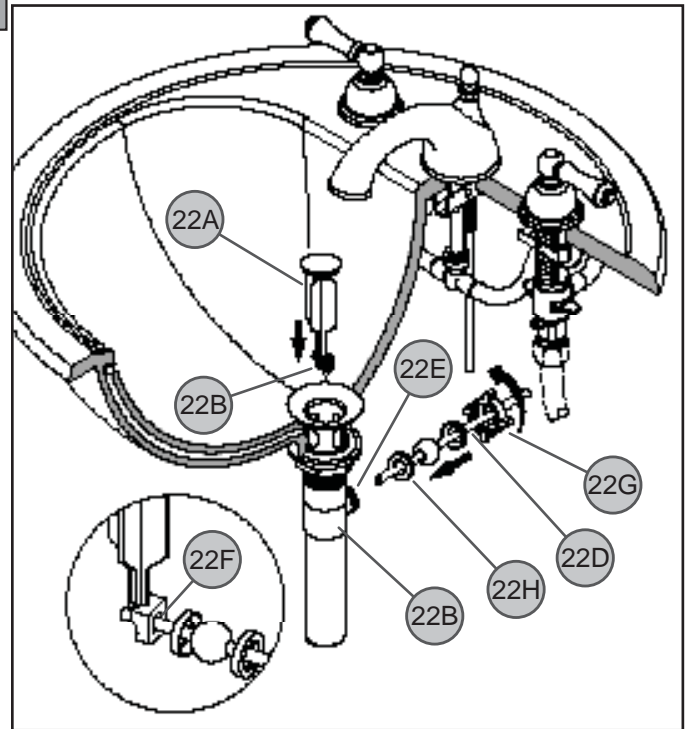
La bride (20A) peut être posée avec ou sans joint en caoutchouc (20B). Si la bride (20A) est posée sans joint en caoutchouc, appliquer un petit cordon de mastic de plombier sous la bride (20A) et autour de l'orifice d'écoulement (20C). Insérer le côté fileté du corps de bonde (20D) dans l'orifice d'écoulement (20C) depuis le dessous. Serrer la bride (20A) sur le corps de bonde (20D) avec les doigts depuis le dessus du bidet. Régler le corps de bonde (20D) depuis le dessous de façon à ce que l'orifice de tige à boule (20E) soit tourné vers l'arrière. Visser l'écrou de blocage (20F) depuis le dessous du bidet jusqu'à ce que la rondelle en caoutchouc (20G) soit bien en place à l'intérieur de l'orifice d'écoulement (20C). Enlever l'excédent de mastic de plombier. Appliquer du ruban PTFE de plombier sur la partie supérieure du filetage extérieur de la queue (20H) conformément aux instructions du fabricant. Visser la queue (20H) sur le bas du corps de bonde (20D).

21



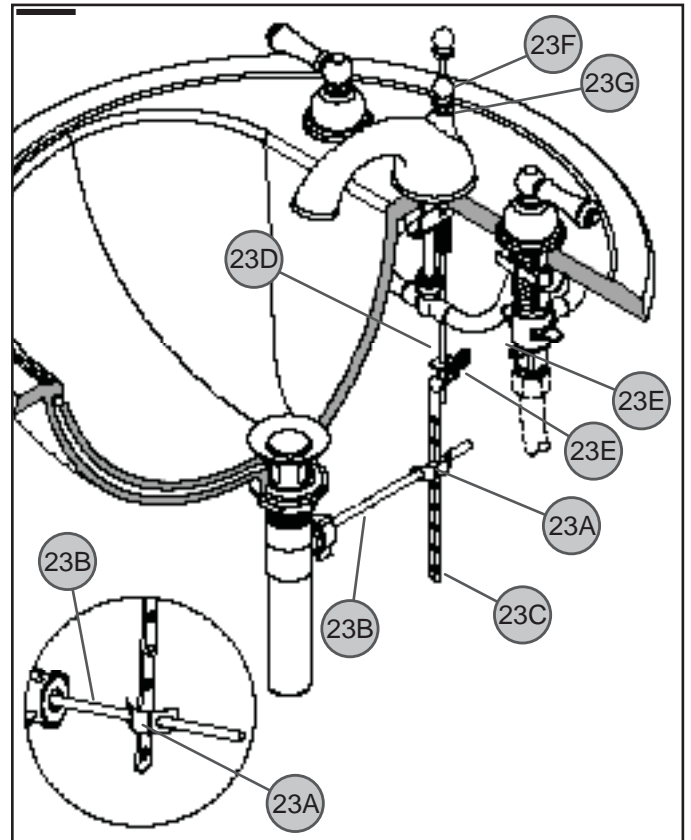
21 PRÉPARATION DE LA TIGE À BOULE DE BONDE

Dévisser l'écrou (21A) du corps de bonde (21B) et laisser un anneau d'étanchéité (21C) à l'intérieur de l'orifice de tige à boule (21D). Enlever l'attache rapide (21E) de la tige à boule (21F).



22 INSTALLATION DE LA TIGE À BOULE DE BONDE

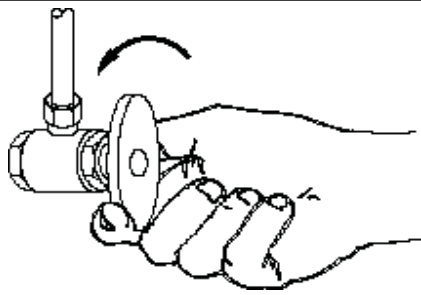
Faire descendre le tampon (22A) dans le corps de bonde (22B) en orientant la pièce angulaire (22C) vers l'arrière. Poser l'écrou (22G) et l'autre anneau d'étanchéité (22H) sur la tige à boule (22D). Introduire la tige à boule (22D) dans son orifice (22E) en faisant passer par le trou de tampon (22F) et la fixer au moyen de l'écrou (22G).



23 MÉCANISME ET RÉGLAGE DE TIGE DE BONDE

Placer un côté de l'attache rapide (23A) sur l'extrémité de la tige à boule (23B). Introduire la tige à boule (23B) dans un trou de l'attache rapide (23C). Attacher l'autre côté de l'attache rapide (23A) à la tige à boule (23B). Introduire le bas de la tige de bonde (23D) dans le trou percé en haut de l'étrier (23C). Régler la hauteur de la tige de bonde (23D) en serrant la vis à oreilles (23E) sur l'étrier (23C) ou en plaçant la tige à boule (23B) sur un autre trou de l'étrier (23C). Veiller à laisser un espace suffisant entre le bouton (23F) et la bride (23G) de tige de bonde lorsque cette dernière est abaissée.

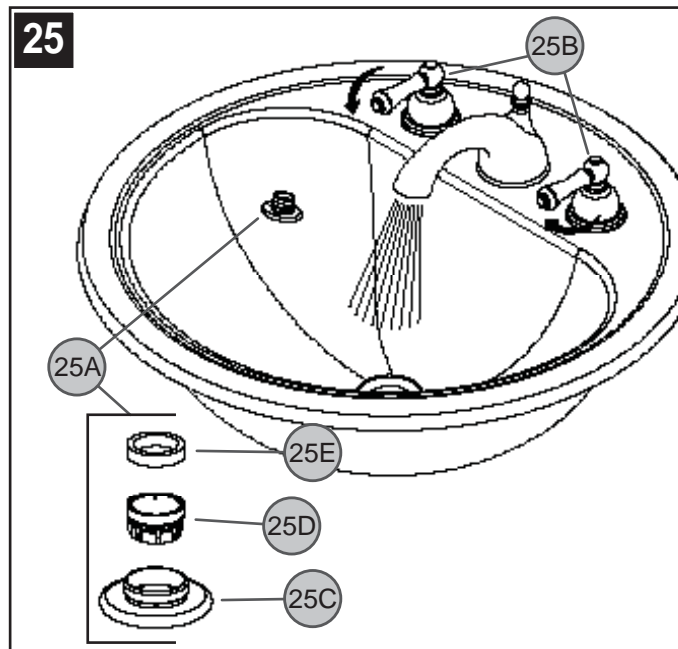
24

**24 MISE EN SERVICE DU MÉLANGEUR**

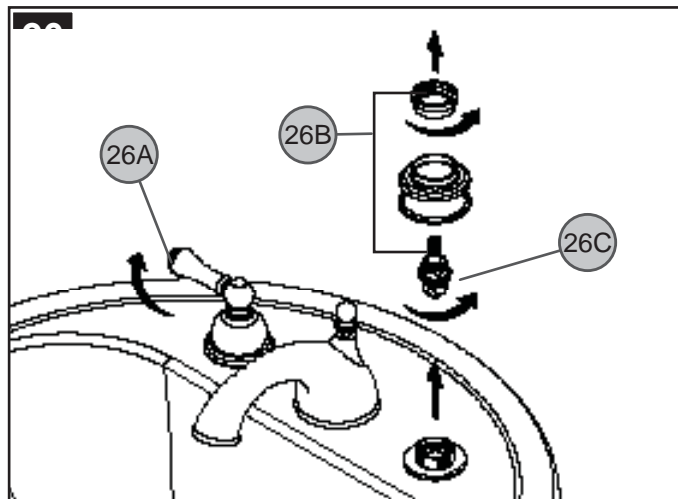
Ouvrir les arrivées d'eau chaude et d'eau froide, puis contrôler l'étanchéité sur le dessus et le dessous du lavabo.

ENTRETIEN ET SOINS

25

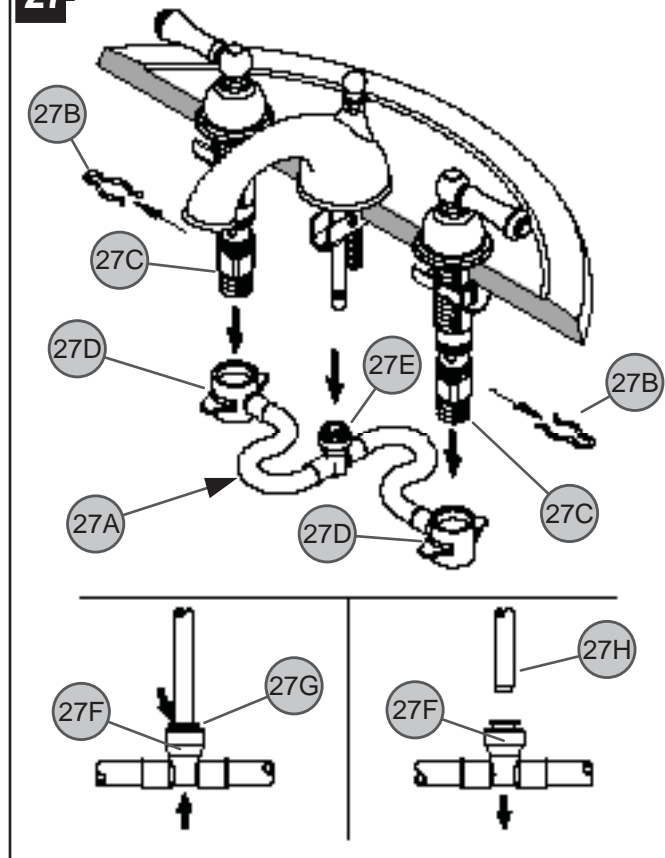
**25 RINÇAGE ET NETTOYAGE DE L'AÉRATEUR**

Une fois que l'installation est terminée, retirer le logement d'aérateur (25A). Ouvrir les robinets (25B) et laisser l'eau chaude et l'eau froide couler pendant au moins une minute chacun. Contrôler l'étanchéité pendant que l'eau coule. Pour nettoyer l'aérateur, démonter son logement (25A) en séparant le boîtier d'aérateur (25C), la crépine (25D) et la rondelle (25E). Une fois que les pièces ont été nettoyées, remonter l'aérateur en procédant dans l'ordre inverse.

**26 ENTRETIEN DES CARTOUCHES DE ROBINET**

Couper les arrivées d'eau et dépressuriser avant de travailler sur le mélangeur (voir l'étape 2). Retirer les manettes (26A) (voir l'étape 14) et les raccords bridés (26B) (voir l'étape 21). Dévisser la cartouche (26C) et l'examiner. Remplacer les pièces qui doivent l'être.

27

**27 DÉBRANCHEMENT DES FLEXIBLES**

Pour débrancher les flexibles (27A), retirer les attaches (27B) des corps d'extrémité (27C) et tirer sur les raccords d'extrémité pour les séparer des corps d'extrémité (27C). Débrancher le raccord central (27E) en poussant vers le haut sur le raccord rapide (27F), en maintenant le collier en plastique gris (27G) en place et en tirant vers le bas sur le raccord rapide (27F) jusqu'à ce que le tube (27H) soit libéré.

**ATTENTION : entretien****DÉMONTAGE**

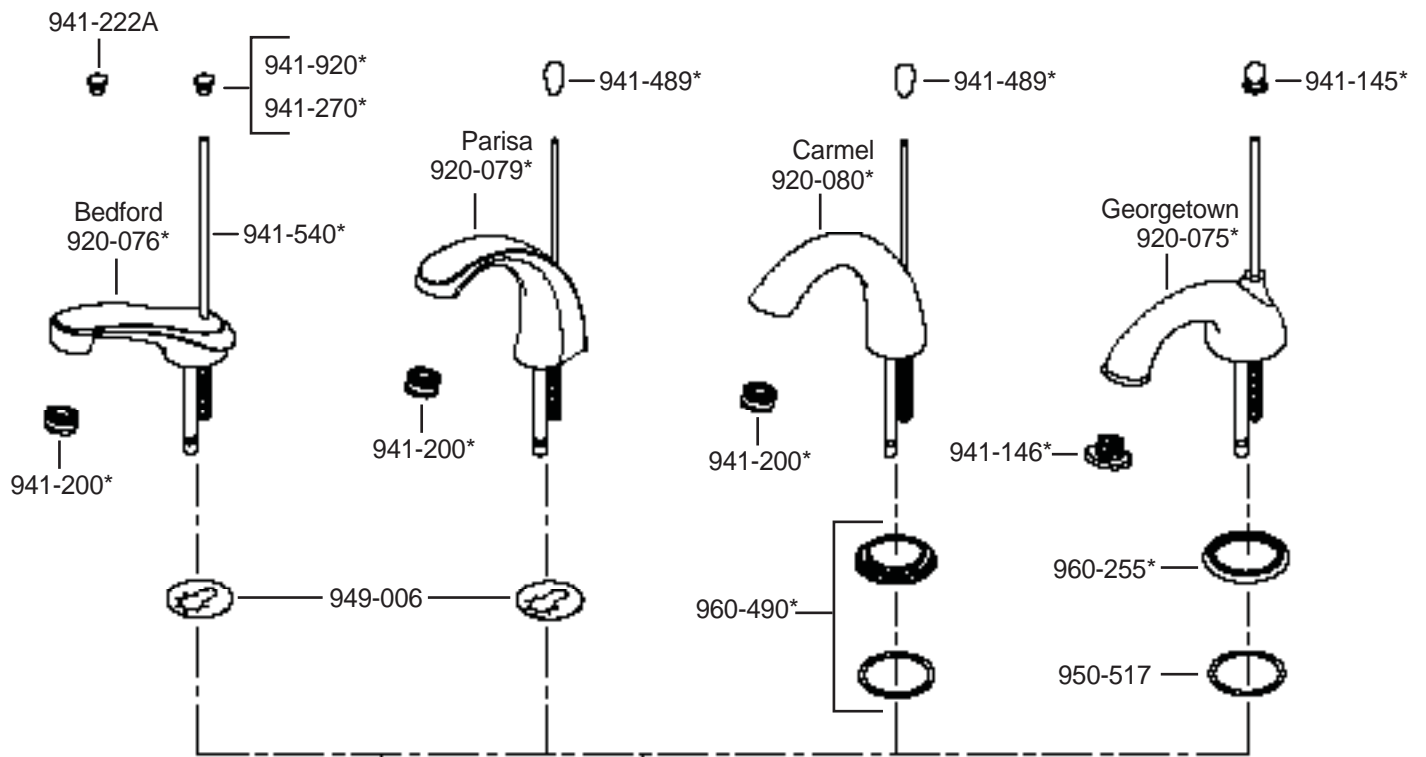
1. Il se peut que les pièces de rechange soient disponibles dans le magasin dans lequel le mélangeur a été acheté.
2. Lorsque des pièces de rechange ne sont pas disponibles, bien vouloir contacter le département du service après-vente de Price Pfister par courrier ou par téléphone.
3. **Toujours couper les arrivées d'eau et dépressuriser avant de travailler sur le mélangeur.**

**REMARQUE : entretien des garnitures****Instructions de nettoyage :**

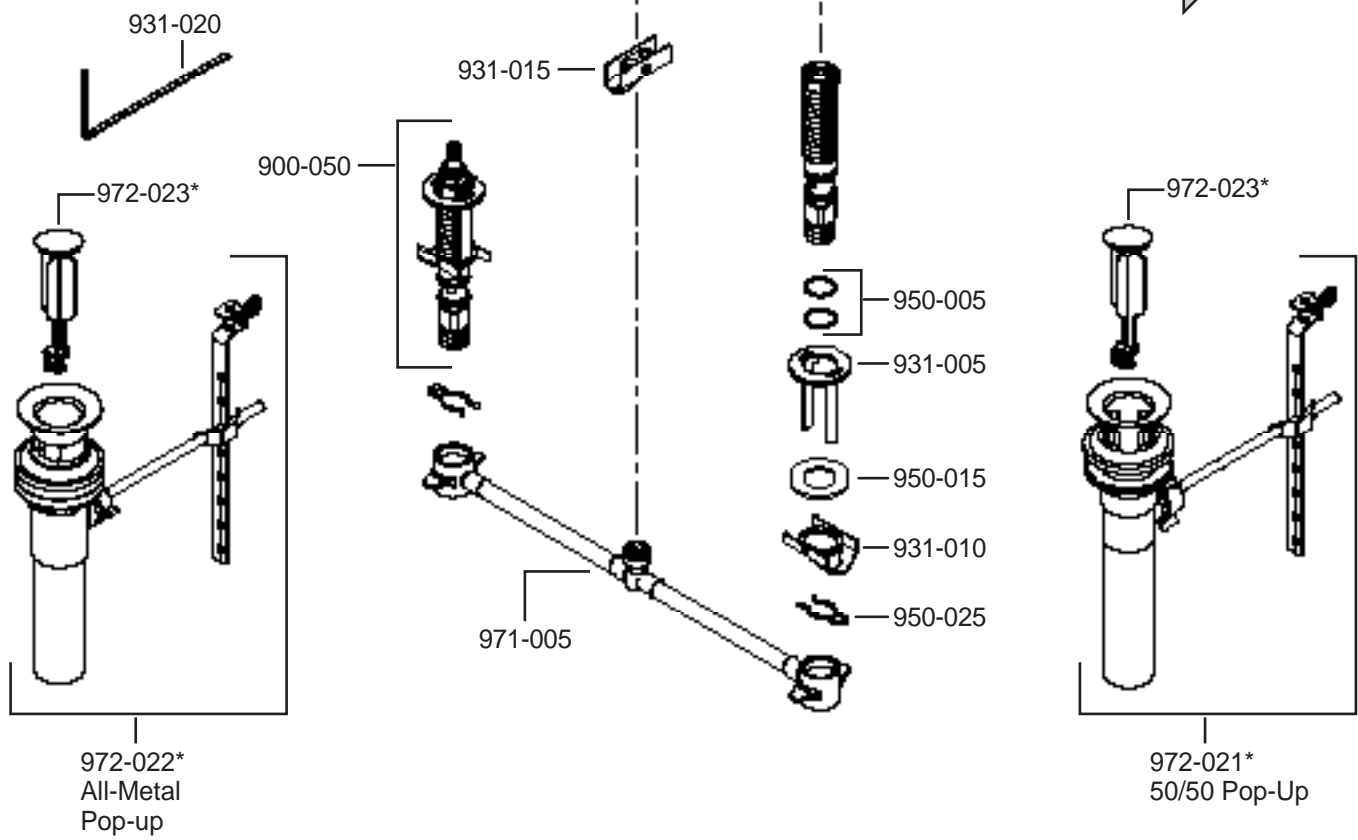
N'utiliser qu'un chiffon humide pour nettoyer et polir toutes les manettes et ornements décoratifs. L'utilisation de pâte à polir, de détergents, de produits nettoyants abrasifs, de solvants organiques ou d'acide peut endommager ces pièces. **L'utilisation d'autre chose qu'un chiffon humide annulera la garantie !**

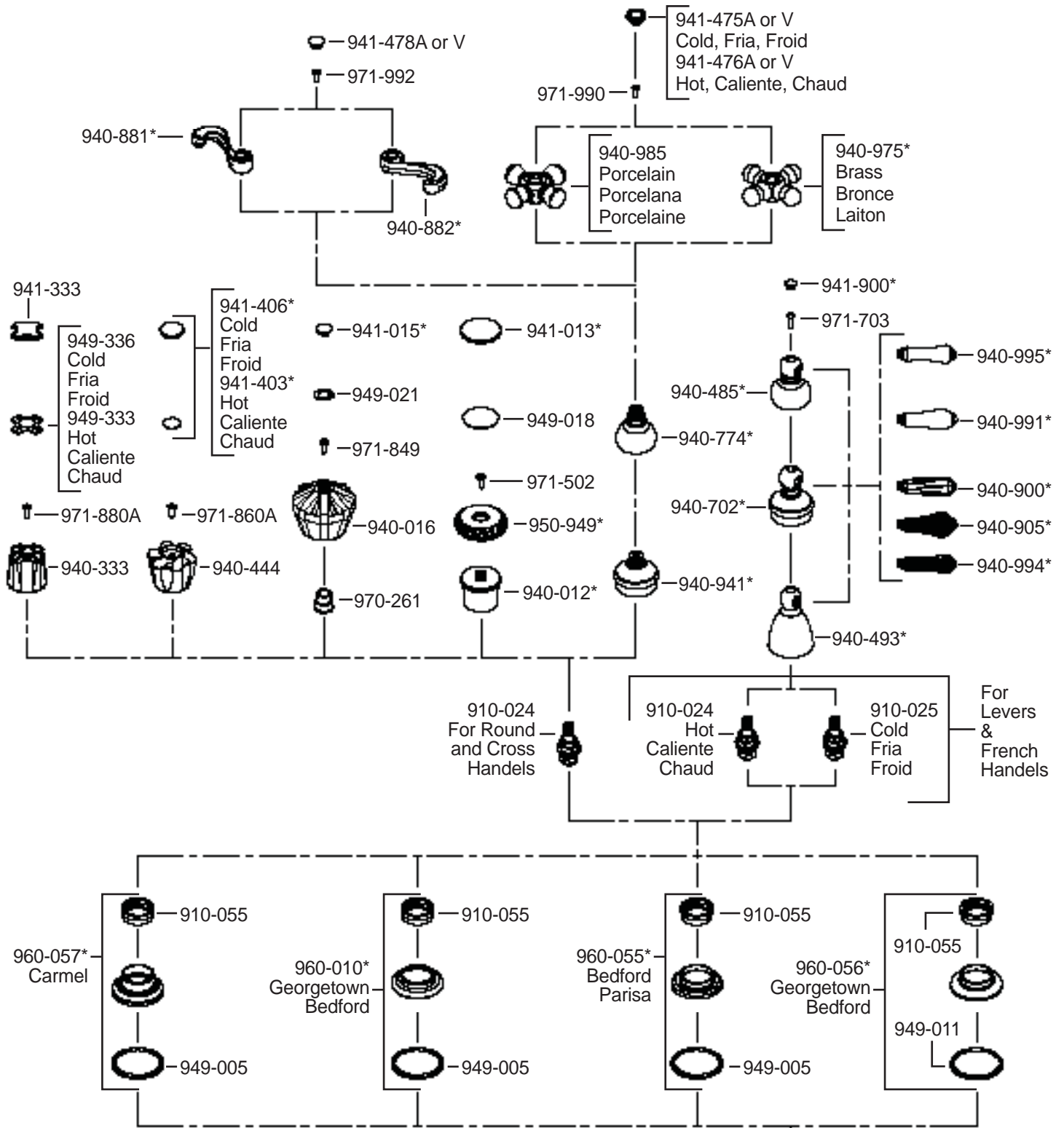
Garnitures spéciales :

Les garnitures contenant de la porcelaine ou une autre substance similaire ne sont pas acceptables dans les lieux publics ou les établissements commerciaux. La pose de telles garnitures se fait aux risques de l'utilisateur.



Go to Page 22





| | English | Español | Français |
|---|--------------------------|------------------------------|---------------------------|
| * | Letter Designates Finish | La Letra Indica el Terminado | La Lettre Designe La Fini |
| A | Polished Chrome | Cromo Pulido | Chrome Poli |
| D | PVD Polished Nickel | PVD Niquel Pulido | PVD Nickel Poli |
| F | PVD Brushed Brass | PVD Bronce Cepillado | PVD Laiton Brosse |
| J | PVD Brushed Nickel | PVD Niquel Cepillado | PVD Nickel Brosse |
| V | PVD Polished Brass | PVD Bronce Pulido | PVD Laiton Poli |
| W | White | Blanco | Blanc |
| Z | Oil Rubbed Bronze | Bronce Frotado Con Aceite | Bronze Huilé |

From Page 21

Price Pfister.

Pf freshest Ideas in Pfaucets.

19701 DaVinci
Lake Forest, CA 92610
Phone: 1-800-Pfaucet
www.pricepfister.com

A **BLACK & DECKER** COMPANY