

**Highlights**

- Integrated Ceramic Disc Diverter with Volume Control
- Available in Matching Finishes
- Pforever Warranty®

## 15 Series

**Shower**

Ceramic Disc Valves

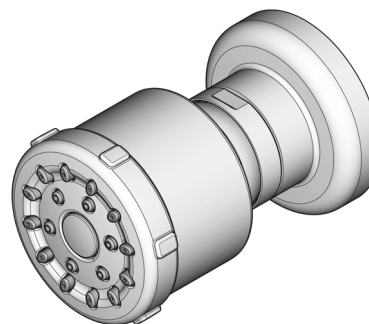
**Code Compliance**

Price Pfister products are designed and manufactured in compliance with the following standards and codes:

- IAPMO certified
- ASME A112.18.1
- CSA B125 certified
- ANSI A117.1 (Lever handles only)

<b>Finishes</b>	015-BD0C	015-BD0K	015-BD0Y
Tuscan Bronze			X
Polished Chrome	X		
Satin Nickel		X	

<b>Features</b>	015-BD0C	015-BD0K	015-BD0Y
Self Cleaning Spray Head	X	X	X
1" Installation Depth Adjustability	X	X	X
Integrated Ceramic Disc Volume Control	X	X	X
Universal Body spray featuring Diverter-less Technology	X	X	X
Step-By-Step Installation Instructions	X	X	X
Pforever Warranty®	X	X	X



- 015-BD0C
- 015-BD0K
- 015-BD0Y

For additional information, please contact your Price Pfister representative, or visit our website at [www.pricepfister.com](http://www.pricepfister.com).

**Project:** \_\_\_\_\_

**Contractor:** \_\_\_\_\_

SS-015-07

**1-800-PFAUCET** [www.pricepfister.com](http://www.pricepfister.com)  
 19701 DaVinci, Lake Forest, CA 92610  
 07/16/08

**Price Pfister®**