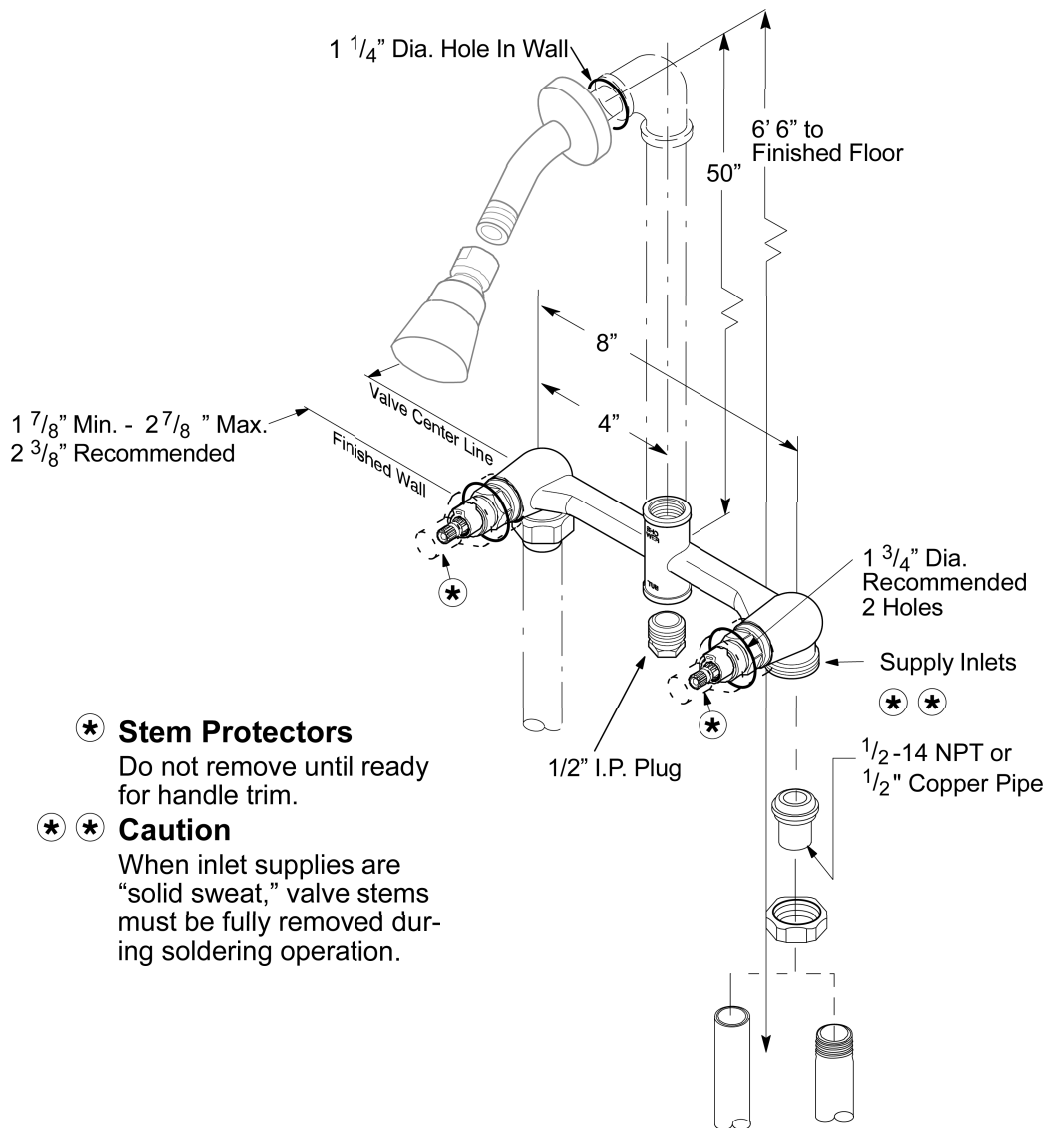




# 07 Series

## Tub & Shower Valve



\* **Stem Protectors**  
Do not remove until ready for handle trim.

\* \* **Caution**  
When inlet supplies are "solid sweat," valve stems must be fully removed during soldering operation.

1-800-PFAUCET www.pricepfister.com  
19701 DaVinci, Lake Forest, CA 92610  
01/8/03

**Price Pfister**<sup>®</sup>  
Pf Pfreshet Ideas in Pfaucets.