

106 Series



Roman Tub Valve

3-Hole Installation
Valve Only

Highlights

- Loose Body
- Valve Only

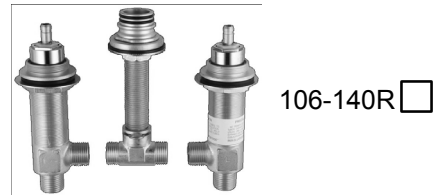
Code Compliance

Price Pfister products are designed and manufactured in compliance with the following standards and codes:

- IAPMO certified
- ASME A112.18.1
- CSA B125 certified
- ANSI A117.1 (Lever handles only)

Finishes	106-140R
Unfinished	X

Features	106-140R
Braided Nylon Reinforced Vinyl Hose	X
Solid Brass Construction	X
1/2" I.P. Inlets x 1/2" I.P. Outlets, with Copper Union Adapters	X
1/4 Turn Ceramic Disc Valves	X
Loose Body	X
Valve Only	X
Step-By-Step Installation Instructions	X
Pforever Warranty®	X



For additional information, please contact your Price Pfister representative, or visit our website at www.pricepfister.com.

Project: _____

Contractor: _____

SS-P106-01

1-800-PFAUCET www.pricepfister.com
19701 DaVinci, Lake Forest, CA 92610
07/27/07



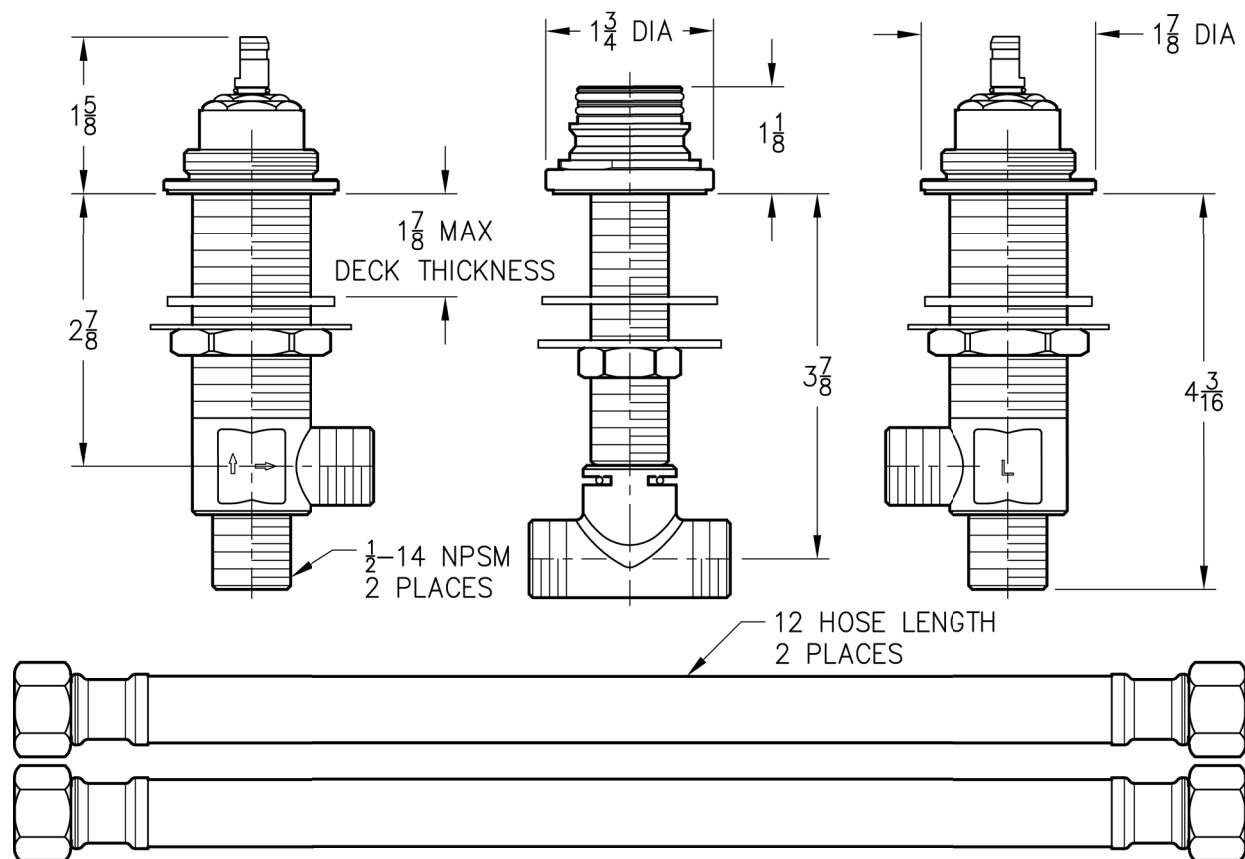
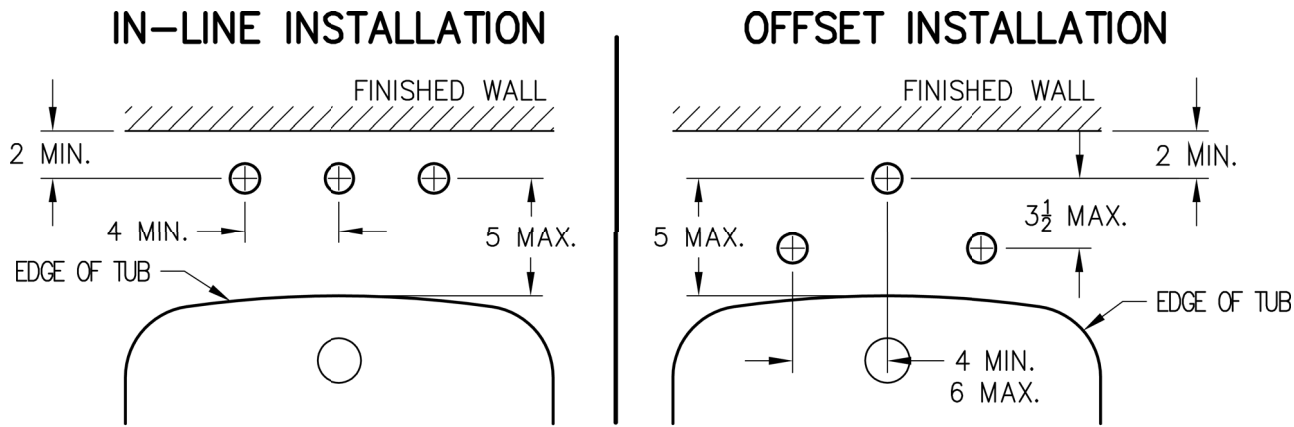
INSTALLATION DIMENSIONS

106 Series

*Pf*irst Series™
by Price Pfister.

Roman Tub Valve

Critical Dimensions:	
Minimum Hole Size	1 1/4" DIA



Dimensions are in Inches

1-800-PFAUCET www.pricepfister.com
19701 DaVinci, Lake Forest, CA 92610
07/27/07

*Pf*irst Series™
by Price Pfister.