



Highlights

- Turnstop Type
- Metal Face Plate

Code Compliance

Price Pfister products are designed and manufactured in compliance with the following standards and codes:

- IAPMO certified
- ASME A112.18.1
- CSA B125 certified
- ANSI A117.1 (Lever handles only)

119 Series



Waste & Overflow

Finishes

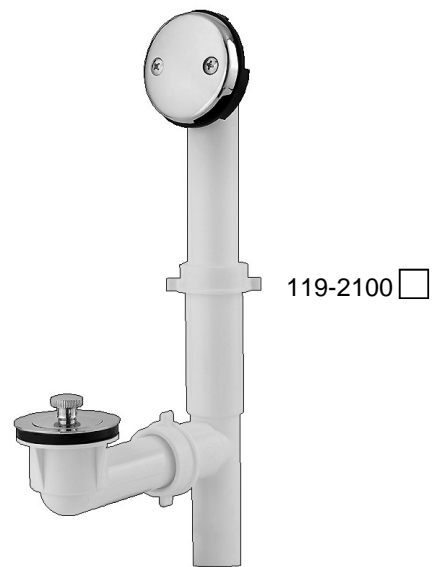
Polished Chrome

119-2100
x

Features

- Turnstop Type
- Metal Face Plate
- Step-By-Step Installation Instructions
- Pforever Warranty®

119-2100
x
x
x
x



05/9/13

SS-P119-01