

SPECIFICATION SUBMITTAL
443 SERIES LAVATORY FAUCET

PROJECT: _____

ARCHITECT: _____

BUILDER/DEVELOPER: _____

PLUMBING CONTRACTOR: _____

Price Pfister™

Pf Pfreshest Ideas in Pfaucets.

19701 DaVinci
 Lake Forest, CA 92610
 Phone (949) 672-4000

A **BLACK & DECKER** COMPANY



443-5000






443-6000

443 SERIES—TWO HANDLE 4" LAVATORY FAUCETS, WITH OR LESS POP-UP AND METAL HANDLES

MODEL NUMBER	DESCRIPTION
4" centers, slant deck housing, ¼ turn washerless valving, ½" shanks, 2.2 gpm., 8.33 L/min. at 60 psi.	

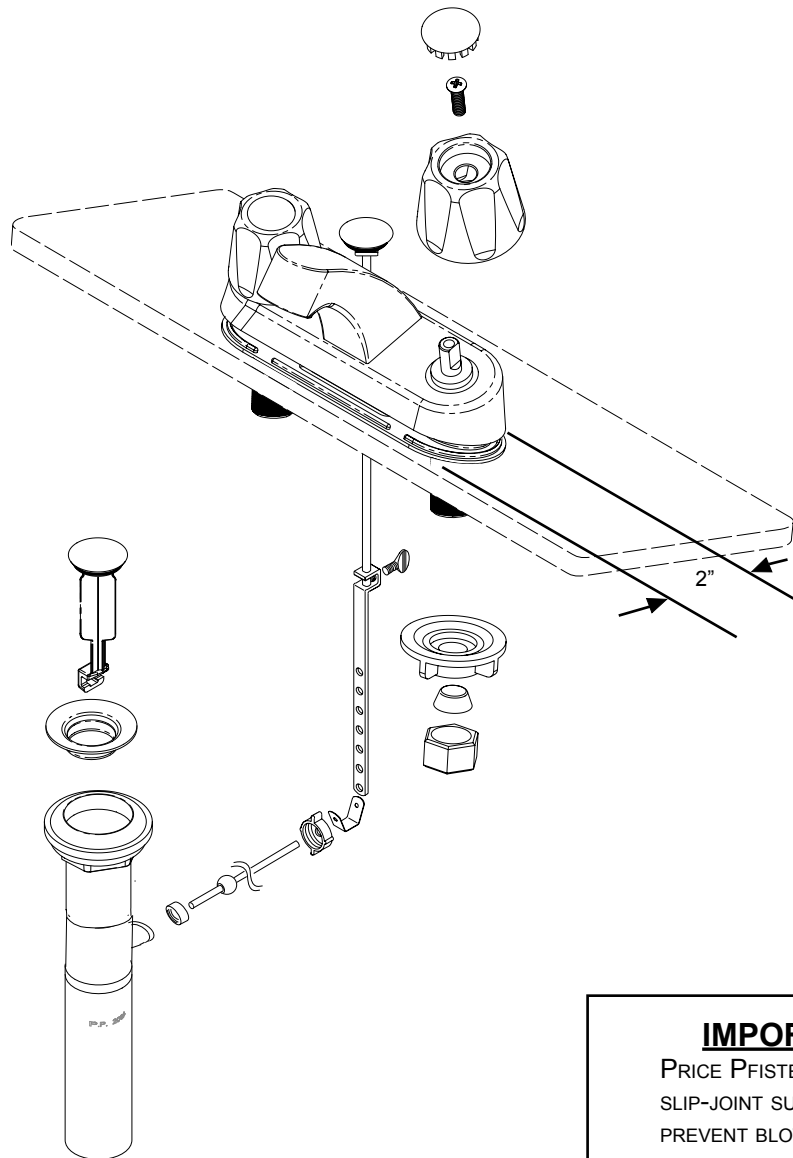
- 443-5000** Metal Handles, Less Pop-Up Assembly
- 443-6000** Metal Handles, With Pop-Up Assembly

Price Pfister products are designed and manufactured in compliance with the following standards and codes:

- IAPMO certified 
- CSA B125 certified 
- ASME A112.18.1
- ANSI A117.1 (Lever handles only) 

INSTALLATION SPECIFICATIONS

443 SERIES LAVATORY FAUCET



IMPORTANT NOTICE

PRICE PFISTER RECOMMENDS BEADING SLIP-JOINT SUPPLY TUBES, IF USED, TO PREVENT BLOW-OUT UNDER PRESSURE.

Rough-In Dimensions	Recommended
---------------------	-------------

Valve Inlets

$\frac{1}{2}$ " Threaded Connectors
4" Centers

Rough-In Dimensions	Recommended
---------------------	-------------

Ledge Thickness 0" to 1"

Overflow Drain Sump

Thickness $1 \frac{5}{16}$ " to 2" max.

Hole Detail $\frac{7}{8}$ " to $1 \frac{1}{2}$ " diameter

Spout Centerline to Spout Outlet	$3 \frac{1}{4}$ "
----------------------------------	-------------------

Spout Outlet to Mounting Surface (air gap)	$1 \frac{7}{8}$ "
--	-------------------

Lavatory pop-up drain plug can be installed for removable or vandal-proof service.