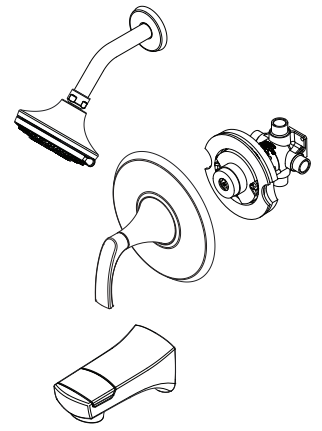


- 8P8-WS2-KASB Finish(B)
- 8P8-WS2-KASC Finish(C)
- 8P8-WS2-KASBG Finish(BG)



- Includes OX8 Valve
- SecurePfit™
- Pforever Seal

Specifications

Features

- 1.8 GPM Flow Rate
- Brass Ball Joint
- Easy to Clean Nozzles
- SecurePfit™ with Anti Handle Wobble
- Includes OX8 Valve
- Quick Connect Tub Spout
- Temperature Limit Stop
- Single Function Showerhead
- Spot Defense™ Finish Resists Spots and Fingerprints (GS Finish Only)
- Perfect Temp
- Pressure Balanced Valve
- Pforever Seal Ceramic Disc Valve
- Pforever Warranty®

Code Compliance

Pfister products are designed and manufactured in compliance with the following standards and codes:

- IAPMO Certified
- CSA B125 Certified
- ASME A112.18.1
- ASSE 1016
- Cal Green Compliant
- CEC Compliant
- EPA WaterSense Certification 1.8 gpm, 6.8L/Min
- ADA Compliant-ANSI A117.1 (Lever handles only)



Dimensions

