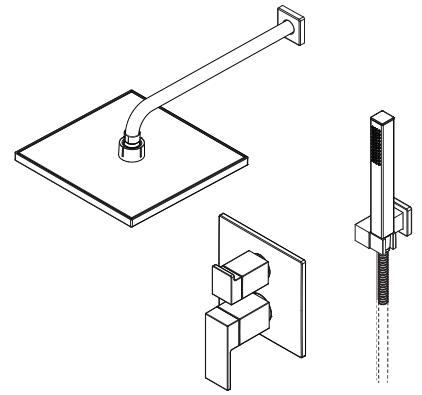


- 8P8-WS2-SDMTSC Finish(C)
- 8P8-WS2-SDMTSGS Finish(GS)
- 8P8-WS2-SDMTSSDB Finish(SDB)
- 8P8-WS2-SDMTSSDBG Finish(SDBG)



## Specifications

### Features

- 1.75 GPM Flow Rate
- 60" Metal Hose
- 3 Way Stacked Diverter Included (O15-3WDNSS)
- Top Handle Controls Mode
- Bottom Handle Controls Temperature
- Optional 7/8" Extension Kit 951-3649 Available, Order Separately
- Non-Shared Functionality
- Independently Control
- Single Function Showerhead
- SecurePfit™ with Anti Handle Wobble
- Spot Defense™ Finish Resists Spots and Fingerprints (SDMTSC Excluded)
- Pforever Seal™ Ceramic Disc Valve
- Limited Lifetime Warranty

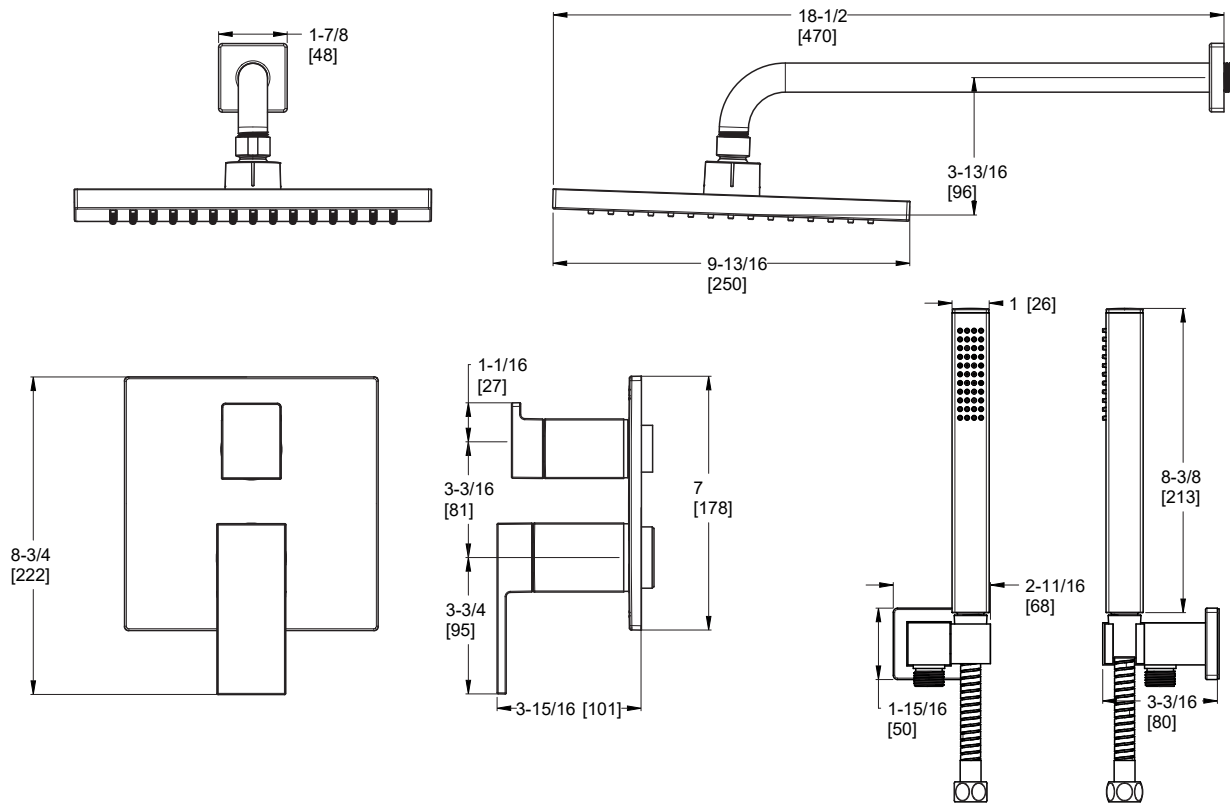
### Code Compliance

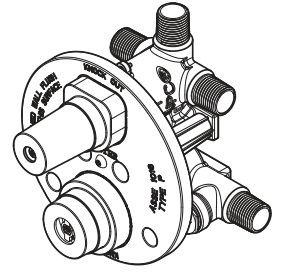
Pfister products are designed and manufactured in compliance with the following standards and codes:

- IAPMO Certified to ASME A112.18.1/CSA B125.1 including:
  - ASME A112.18.3 (Backflow Prevention)
- CEC Certified/CALGreen compliant
- EPA WaterSense Certified
- ADA Compliant - ANSI A117.1 (Lever Handles Only)



## Dimensions





### Specifications

#### Features

- All Metal Construction
- 3 Way Stacked Diverter
- Non-Shared Functionality
- Ceramic Disc Cartridge
- R89 Series Trim Sold Separately
- Dual 1/2" I.P. or 1/2" Copper Sweat Connections
- Integral Stops
- Temperature Limit Stop Included
- Anti-Scald Shower Cartridge
- Spool Pressure Balance Valve
- Optional 7/8" Extension Kit 951-3649 Available, Order Separately
- Limited LifetimeWarranty

#### Code Compliance

Pfister products are designed and manufactured in compliance with the following standards and codes:

- IAPMO Certified to ASME A112.18.1/CSA B125.1 including:
  - ASSE 1016
- ADA Compliant - ANSI A117.1 (Lever Handles Only)



### Dimensions

