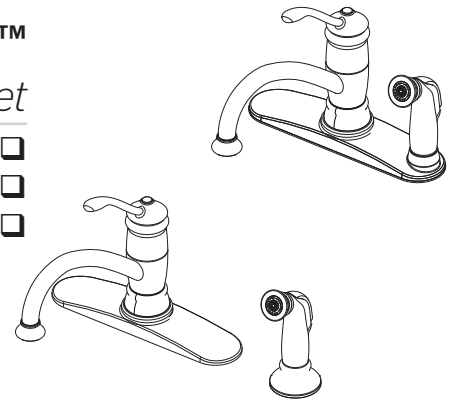


Brookwood™ Kitchen Faucet

- | | |
|---|---|
| F-034-3ALC Finish(C) <input type="checkbox"/> | F-034-4ALC Finish(C) <input type="checkbox"/> |
| F-034-3ALS Finish(S) <input type="checkbox"/> | F-034-4ALS Finish(S) <input type="checkbox"/> |
| F-034-3ALY Finish(Y) <input type="checkbox"/> | F-034-4ALY Finish(Y) <input type="checkbox"/> |



- Single Control
- 2 or 4-Hole Installation
- Pforever Seal

Specifications

Features

- 2.2 GPM Flow Rate
- 2 or 4-Hole Installation; Includes Both Deck Plate and Single Post Mounting Ring
- Optional Deckplate with Tie Downs
- Swivel Spout
- Includes Matching Side Spray
- Mounting Hardware included
- Pfaster Connect
- PVD Finish
- Pforever Seal Ceramic Disc Valve
- Pforever Warranty®

Code Compliance

Pfister products are designed and manufactured in compliance with the following standards and codes:

- IAPMO Certified
- CSA B125 Certified
- ASME A112.18.1
- NSF 61/9 Annex G (Low lead)
- ADA Compliant-ANSI A117.1 (Lever handles only)



Dimensions

