

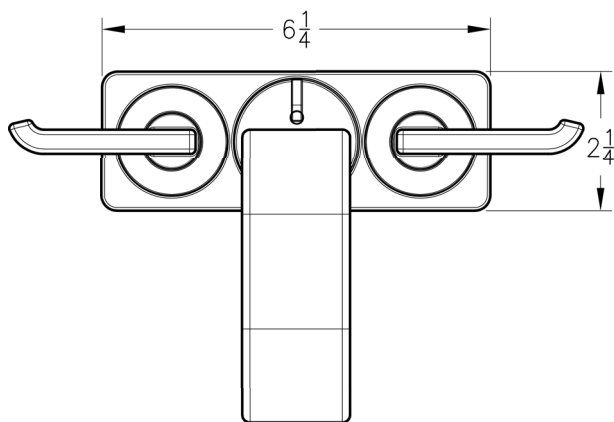
INSTALLATION DIMENSIONS

46 Series Skye™

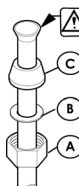
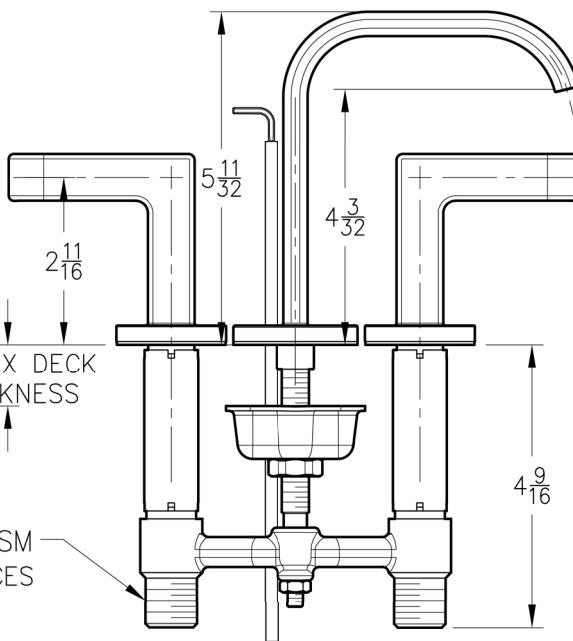
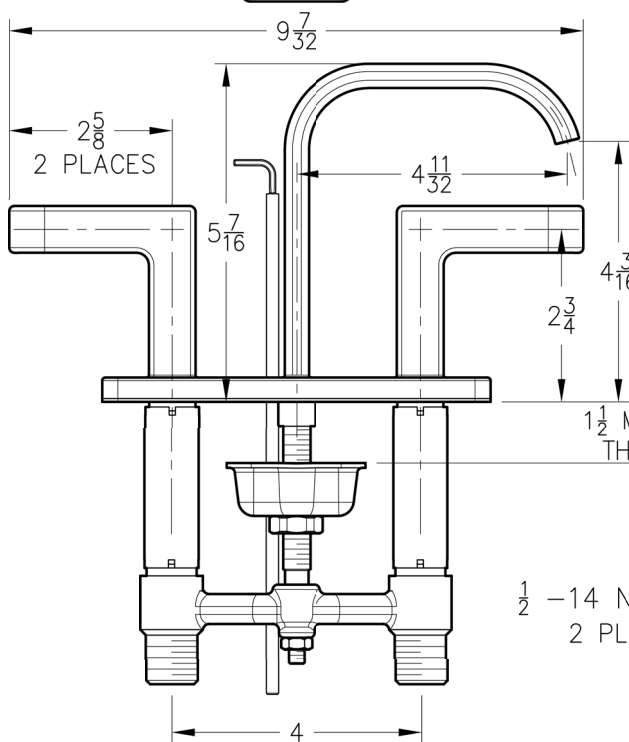
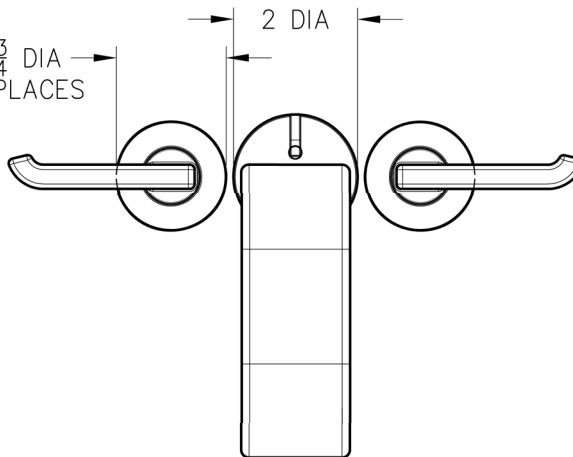
Mini-Widespread Faucet

Critical Dimensions:	
Minimum Hole Size	1 - 1 1/2 Dia. Thru Hole 3 Places
Valve Centerline to Back Splash	2 5/16 Min.

WITH DECK PLATE



WITHOUT DECK PLATE



CAUTION:
When using the compression fittings in this package, with these types of installations, the installer must flare or bead the water supply lines to avoid blow-out conditions. Avoiding such steps in the installation of the unit may result in water damage.

Connect inlet supply lines by assembling brass supply nut (A), friction ring (B) and cone washer (C) onto 3/8" O.D. straight copper tube. Bead or flare. Wrench tighten.

Dimensions are in Inches

1-800-PFAUCET www.pricepfister.com
19701 DaVinci, Lake Forest, CA 92610
08/4/10

Price Pfister®

SS-046-SY-1

Highlights

- Pforever Warranty®
- 4" Centerset and Mini-Widespread Combination
- Meets EPA Watersense Certification 1.5gpm, 5.7L/Min

Code Compliance

Price Pfister products are designed and manufactured in compliance with the following standards and codes:

- IAPMO certified
- ASME A112.18.1
- CSA B125 certified
- ANSI A117.1 (Lever handles only)

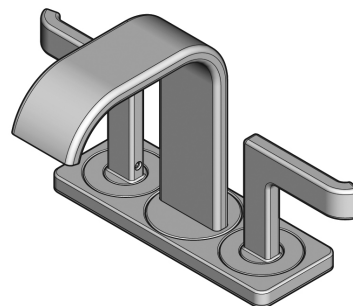
46 Series Skye™

Mini-Widespread Faucet

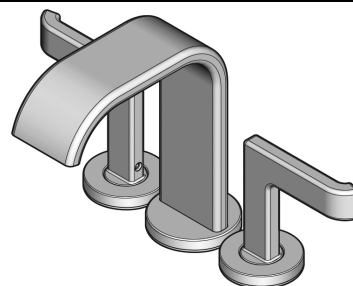
- Two-Handle
- 3-Hole Installation
- 1/4 Turn Ceramic Disc Valves

Finishes	046SYCC	046SYKK	F-046-SYKK
Polished Chrome	x		
Brushed Nickel		x	x

Features	046SYCC	046SYKK	F-046-SYKK
3-Hole Installation	x	x	x
4" Centerset and Mini-Widespread Combination	x	x	x
Lead Free Compliant			x
ADA Compliant	x	x	x
Meets EPA Watersense Certification 1.5gpm, 5.7L/Min	x	x	x
1/4 Turn Ceramic Disc Valves	x	x	x
Step-By-Step Installation Instructions	x	x	x
Pforever Warranty®	x	x	x



- 046SYCC
- 046SYKK
- F-046-SYKK



SKUs beginning with F are certified to NSF 61/9 Annex G Low Lead Requirements and are watersense compliant.

For additional information, please contact your Price Pfister representative, or visit our website at www.pricepfister.com.

Project: _____

Contractor: _____

SS-046-SY-1

1-800-PFAUCET www.pricepfister.com
 19701 DaVinci, Lake Forest, CA 92610
 08/9/10

Price Pfister®