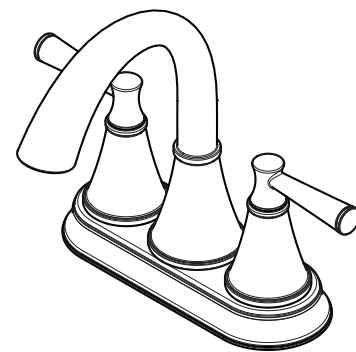


Cantara™ 4" Centerset Lavatory Faucet

- F-048-CRCC Finish(CC)
- F-048-CRKK Finish(KK)
- F-048-CRYY Finish(YY)



Specifications

- 3-Hole Installation
- Push & Seal™ Pop-Up
- Pforever Seal

Features

- 3-Hole Installation
- Fixed Hub
- High Arc Spout
- Push & Seal™ Pop-Up
- TiteSeal™ Deck Plate
- Lifetime Warranty
- PVD Finish (KK Only)
- Pforever Seal Ceramic Disc Valve
- Pforever Warranty®

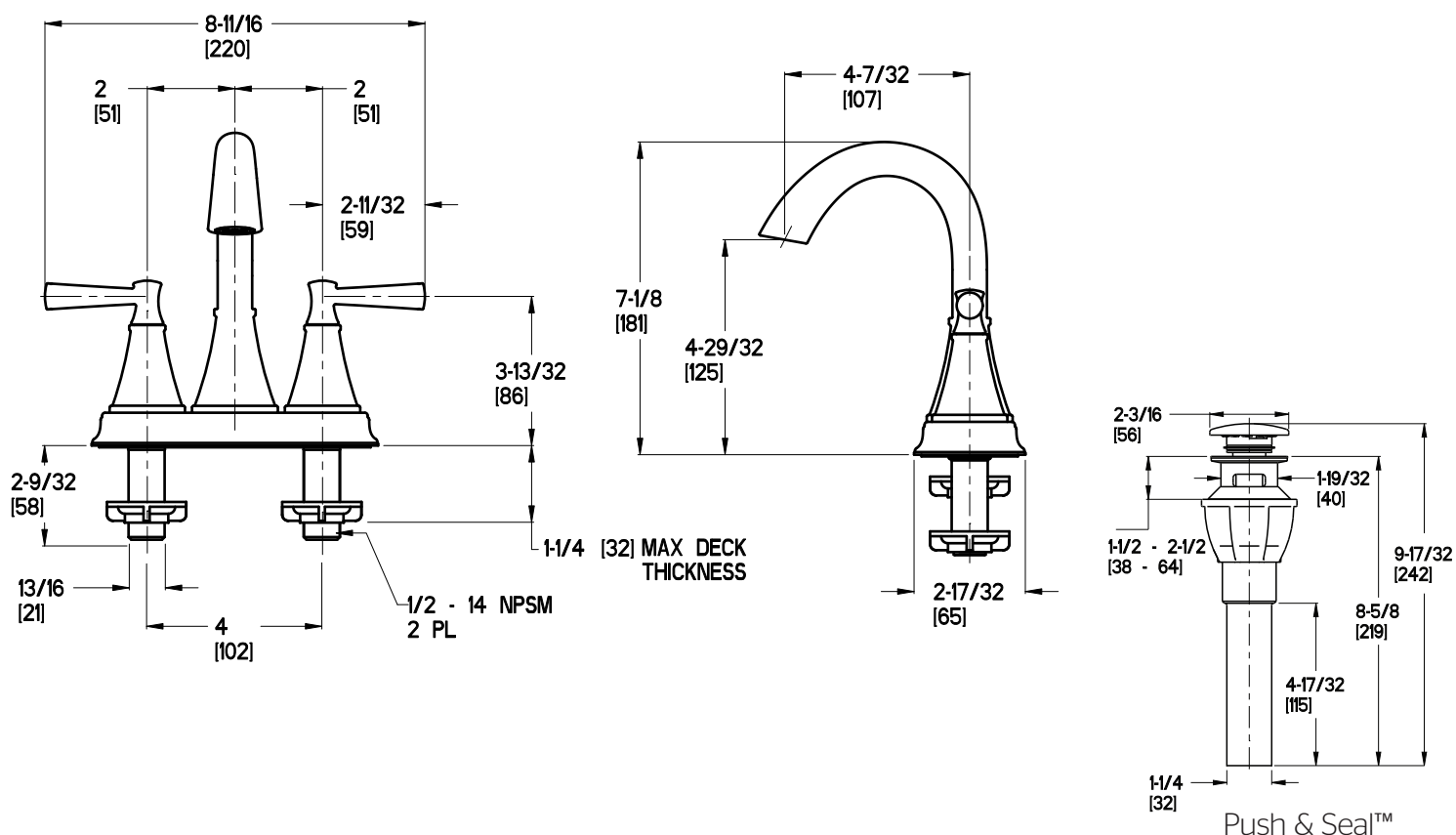
Code Compliance

Pfister products are designed and manufactured in compliance with the following standards and codes:

- IAPMO Certified
- CSA B125 Certified
- ASME A112.18.1
- NSF 61/9 Annex G (Low lead)
- Cal Green Compliant
- EPA WaterSense Certification 1.5 gpm, 5.7L/Min
- ADA Compliant-ANSI A117.1 (Lever handles only)



Dimensions



Ø1 Min to Ø1-1/2 Max. Deck Hole Openings