

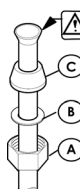
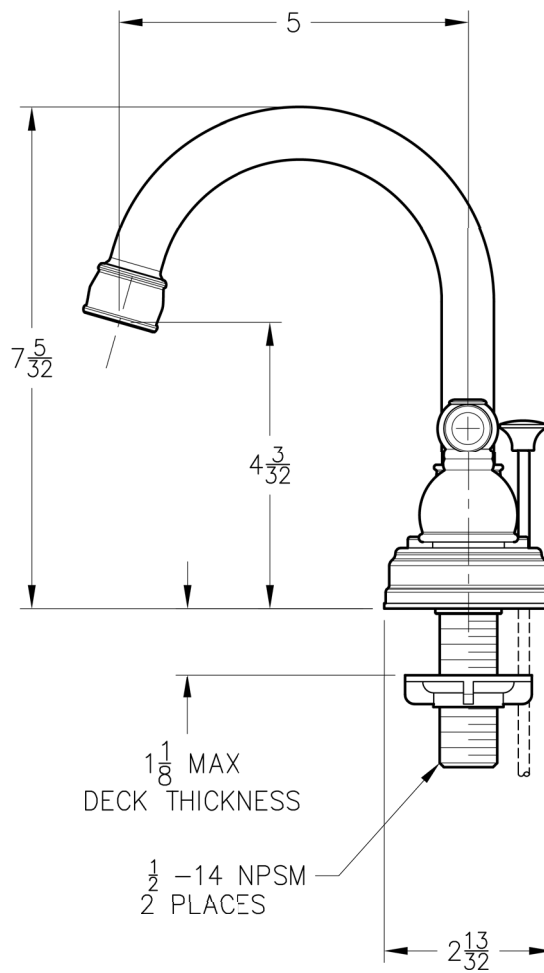
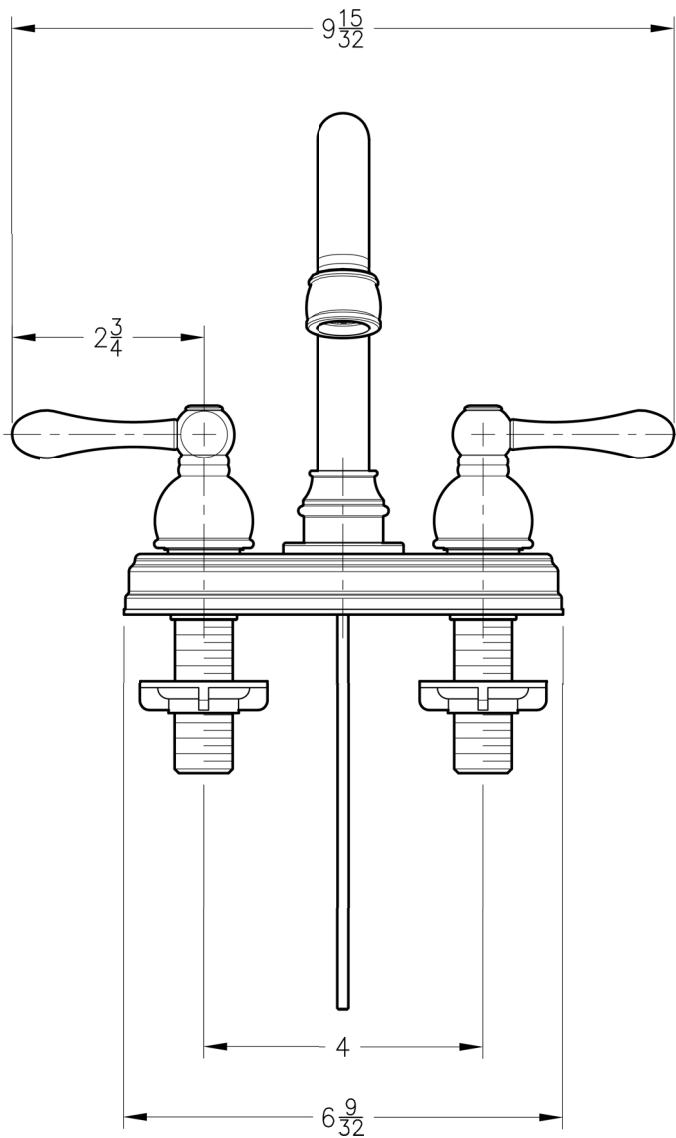
# INSTALLATION DIMENSIONS

## 48 Series

## Wayland™

### 4" Centerset Lavatory Faucet

| <b>Critical Dimensions:</b>     |                                  |
|---------------------------------|----------------------------------|
| Minimum Hole Size               | 1 - 1 1/2 Dia Thru Hole 3 Places |
| Valve Centerline to Back Splash | 2 7/32 MIN                       |



**CAUTION:**  
When using the compression fittings in this package, with these types of installations, the installer must flare or bead the water supply lines to avoid blow-out conditions. Avoiding such steps in the installation of the unit may result in water damage.

Connect inlet supply lines by assembling brass supply nut (A), friction ring (B) and cone washer (C) onto 3/8" O.D. straight copper tube. Bead or flare. Wrench tighten.

Dimensions are in Inches

**1-800-PFAUCET** [www.pricepfister.com](http://www.pricepfister.com)  
19701 DaVinci, Lake Forest, CA 92610  
08/4/10

**Price Pfister®**

SS-048-LH-1

**Highlights**

- ¼ Turn Ceramic Disc Valves
- WaterSense Compliant
- Pforever Warranty®

**Code Compliance**

Price Pfister products are designed and manufactured in compliance with the following standards and codes:

- IAPMO certified
- ASME A112.18.1
- CSA B125 certified
- ANSI A117.1 (Lever handles only)

# 48 Series

## Wayland™

**4" Centerset Lavatory Faucet**

- Two-Handle
- 3-Hole Installation
- 1/4 Turn Ceramic Disc Valves

| <b>Finishes</b> | F-048-LHCC | F-048-LHKK |
|-----------------|------------|------------|
| Polished Chrome | x          |            |
| Brushed Nickel  |            | x          |

| <b>Features</b>                                     | F-048-LHCC | F-048-LHKK |
|---|------------|------------|
| 3-Hole Installation                                 | x          | x          |
| Lead Free Compliant                                 | x          | x          |
| ADA Compliant                                       | x          | x          |
| Meets EPA Watersense Certification 1.5gpm, 5.7L/Min | x          | x          |
| Pforever Warranty®                                  | x          | x          |



F-048-LHCC

F-048-LHKK

SKUs beginning with F are certified to NSF 61/9 Annex G Low Lead Requirements and are watersense compliant.

For additional information, please contact your Price Pfister representative, or visit our website at [www.pricepfister.com](http://www.pricepfister.com).

**Project:** \_\_\_\_\_

**Contractor:** \_\_\_\_\_

SS-048-LH-1

**1-800-PFAUCET** [www.pricepfister.com](http://www.pricepfister.com)  
 19701 DaVinci, Lake Forest, CA 92610  
 08/6/10

Price Pfister®