

### Specifications

- Single Control
- 3-Hole Installation
- Pforever Seal

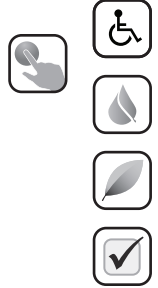
### Features

- 1.5 GPM Flow Rate
- Quick Connect Installation
- Solid Cast Brass Body and Spout
- Metal Lever Handles
- Mounting Hardware Included
- Includes Metal Supply Nuts
- 3-Hole Installation
- 8"-15" Variable Installation
- Push & Seal™ Pop-Up
- High-Arc Decorative Spout
- Pforever Seal Ceramic Disc Valve
- Pforever Warranty®

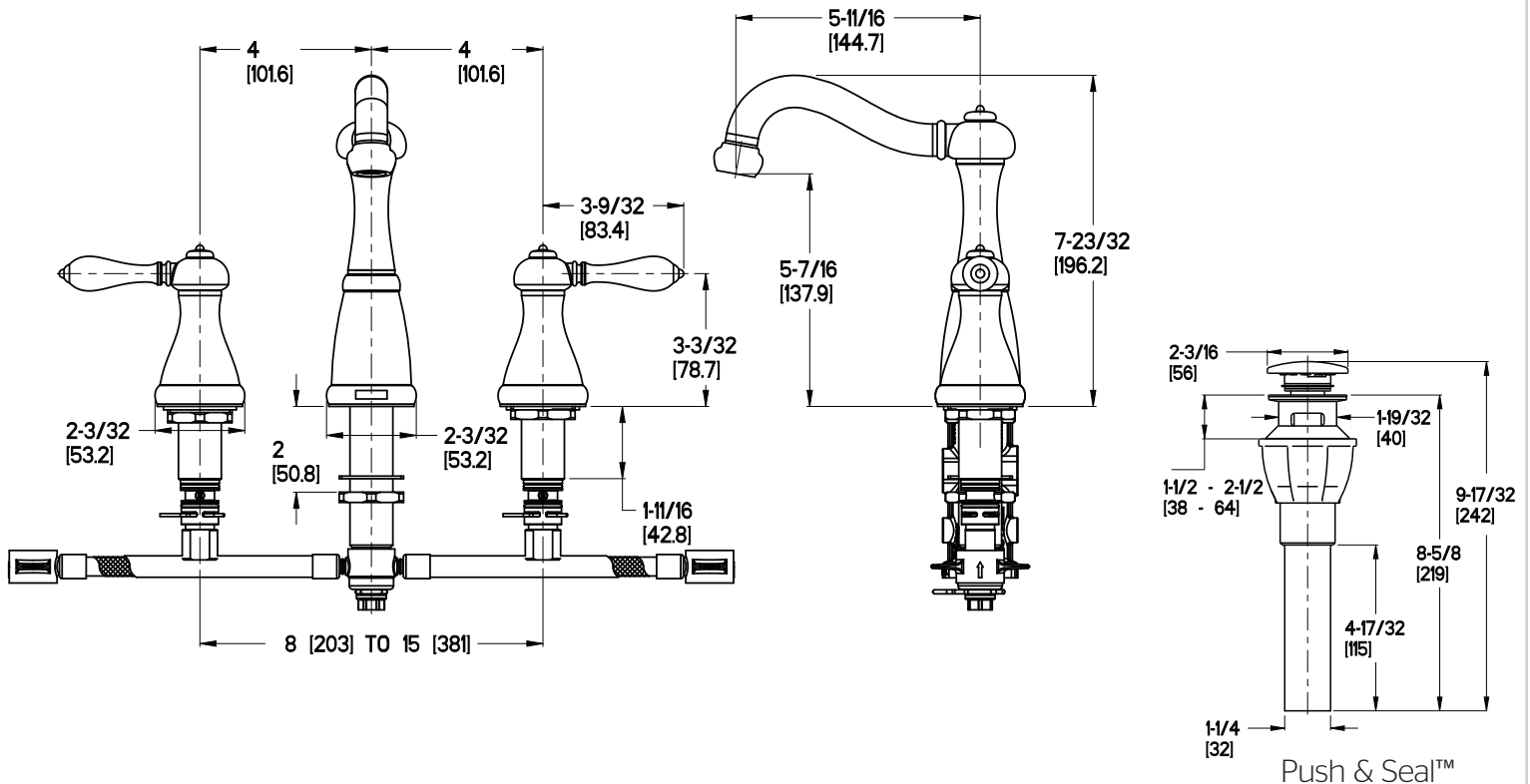
### Code Compliance

Pfister products are designed and manufactured in compliance with the following standards and codes:

- IAPMO Certified
- CSA B125 Certified
- ASME A112.18.1
- NSF 61/9 Annex G (Low lead)
- Cal Green Compliant
- EPA WaterSense Certification 1.5 gpm, 5.7 L/Min
- ADA Compliant-ANSI A117.1 (Lever handles only)



### Dimensions



Ø1 Min to Ø1-1/2 Max. Deck Hole Openings