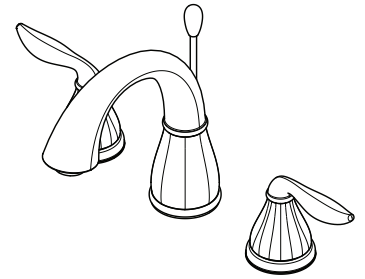


F-049-STOK Finish(K)

F-049-STOY Finish(Y)



Specifications

Features

- 1.5 GPM Flow Rate
- Adjustable Install
- All Metal Construction
- Mounting Hardware Included
- Pfast Connect
- Quick Install Tool
- Pull-Up Rod Included
- Pforever Seal Ceramic Disc Valve
- Pforever Warranty®

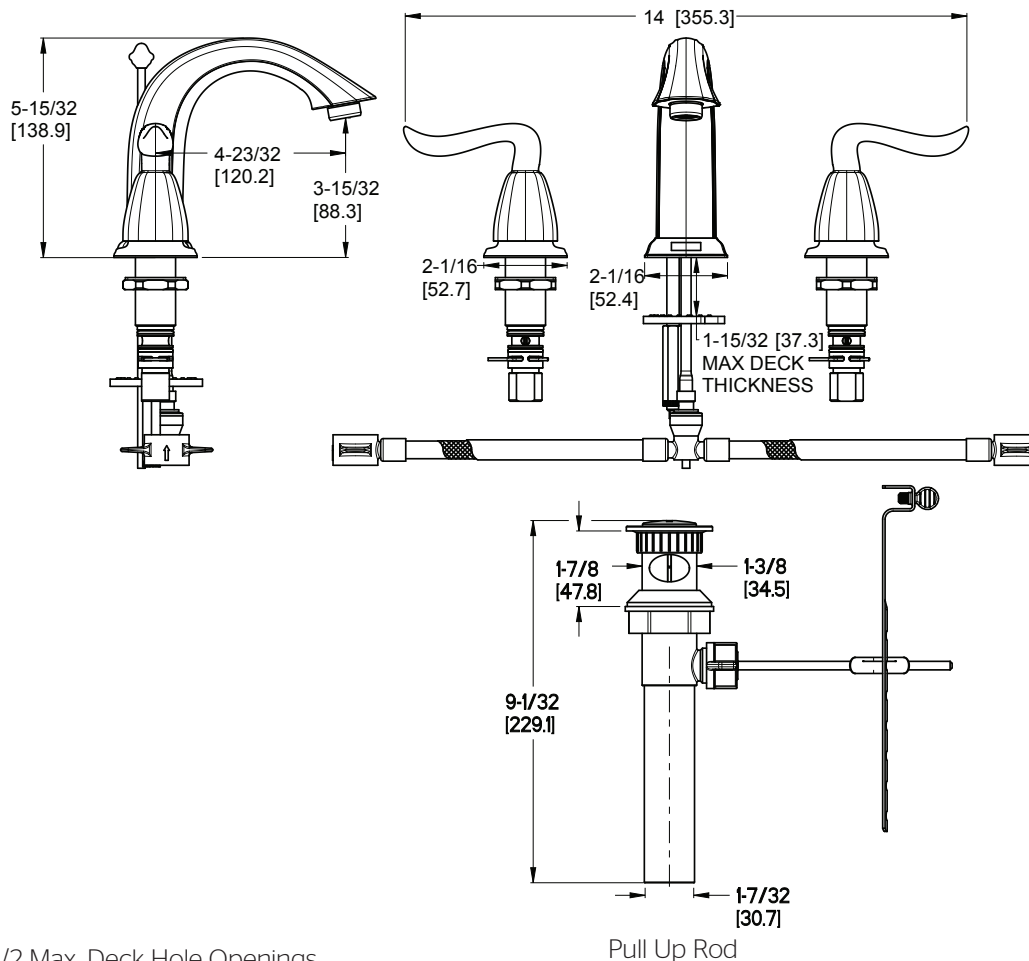
Code Compliance

Pfister products are designed and manufactured in compliance with the following standards and codes:

- IAPMO Certified
- CSA B125 Certified
- ASME A112.18.1
- NSF 61/9 Annex G (Low lead)
- EPA WaterSense Certification 1.5 gpm, 5.7 L/Min
- Cal Green Compliant
- ADA Compliant-ANSI A117.1 (Lever handles only)



Dimensions



Ø1 Min to Ø1-1/2 Max. Deck Hole Openings