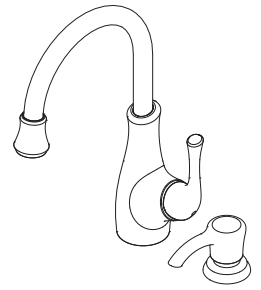


\*F072-VVCC Finish(CC)

F072-VVSS Finish(SS)

\*International Only



## Specifications

### Features

- 1.8 GPM Flow Rate
- 360° Rotating Spout
- High Arc Spout
- PVD Finish
- Quick Install Tool
- Mounting Hardware Included
- PVD Finish
- Soap Dispenser Included
- TiteSeal™ Deck Plate
- Tri-Flow™
- Pforever Seal Ceramic Disc Valve
- Pforever Warranty®

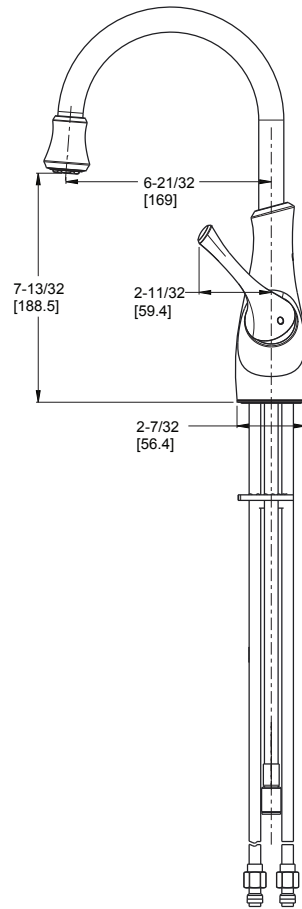
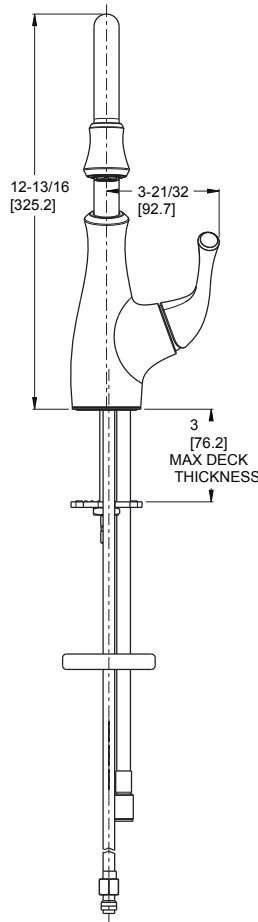
### Code Compliance

Pfister products are designed and manufactured in compliance with the following standards and codes:

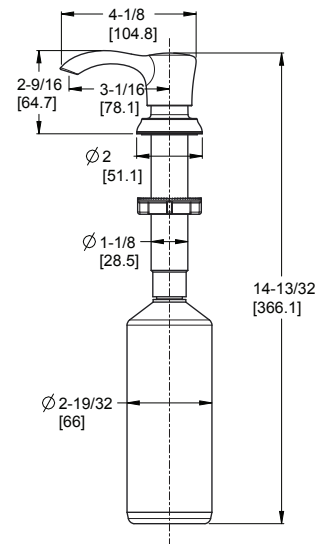
- IAPMO Certified
- CSA B125 Certified
- ASME A112.18.1
- NSF 61/9 Annex G (Low lead)
- Cal Green Compliant
- ADA Compliant-ANSI A117.1 (Lever handles only)



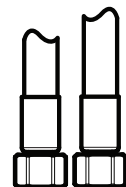
## Dimensions



### Top Filling Soap Dispenser



### 36 Inch Supply Lines with 3/8 Female Compression Brass Connections



Ø1-3/8 Min to Ø1-1/2 Max. Deck Hole Openings