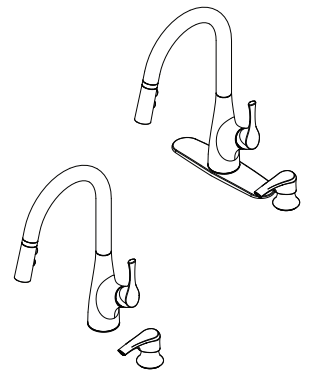


- F529-7ARVB Finish(B)
- F529-7ARVBG Finish(BG)
- F529-7ARVGS Finish(GS)

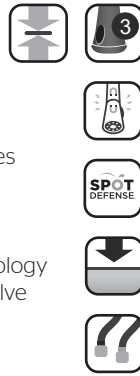


Specifications

- TopPfit™ Installation
- MagnePfit™ Sprayhead Docking

Features

- 1.8 GPM Flow Rate
- 1 or 3-Hole Installation; Deck Plate or Single Hole Mounting Option
- 3 Function Pull-Down Sprayer (Spray, Stream, and Pause)
- 360° Rotating High Arc Swivel Spout
- MagnePfit™ Sprayhead Docking
- Spot Defense™ Finish Resists Spots and Fingerprints (GS Finish Only)
- TopPfit™ Top Mount Installation
- TopPfit™ Quick Install Tool
- SoloTilt™ One-Hand Soap
- 12.4" Pull-Down Hose Length
- Braided Nylon Hose
- 36" Integrated PERT Supply Lines with 3/8" Connection
- Forward Handle Operation
- TiteSeal™ Technology
- Pfast Connect™ Adapter Technology
- Pforever Seal™ Ceramic Disc Valve
- Limited Lifetime Warranty



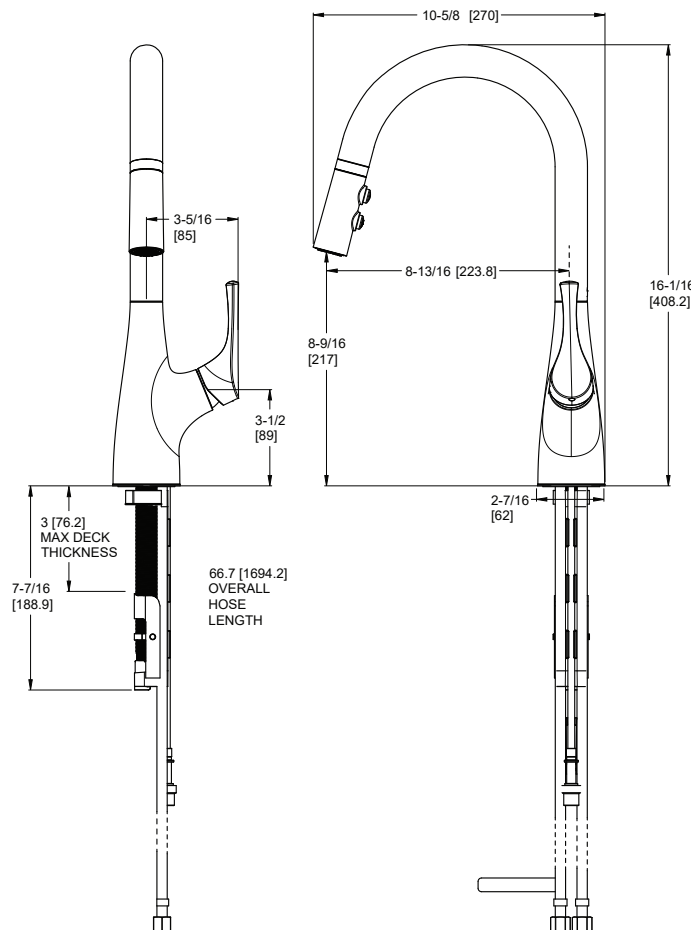
Code Compliance

Pfister products are designed and manufactured in compliance with the following standards and codes:

- IAPMO Certified to ASME A112.18.1/CSA B125.1 including:
 - ASME A112.18.3 (Backflow Prevention)
- NSF/ANSI/CAN61:Q≤1
- CEC Certified/CALGreen compliant
- ADA Compliant - ANSI A117.1 (Lever Handle Only)

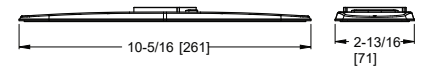


Dimensions

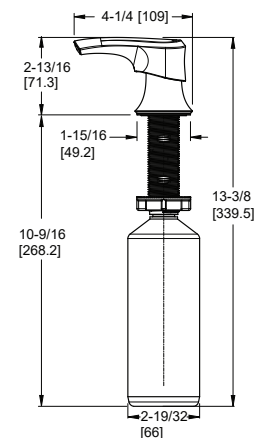


Ø1-3/8 Min to Ø1-1/2 Max. Deck Hole Openings

Optional Included Deckplate



Top Filling Soap Dispenser



36 Inch Supply Lines with 3/8 Female Compression Brass Connections

