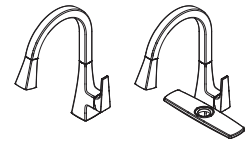


Maximillion™ Pull-Down Kitchen Faucet



- F-529-7MXIB Finish(B)
- F-529-7MXIC Finish(C)
- F-529-7MXIS Finish(S)

Specifications

- AutoDock™ Sprayhead
- Pforever Seal™

Features

- 1.8 GPM Flow Rate
- 1 or 3-Hole Installation; Deck Plate or Single Hole Mounting Option
- 2 Function Pull-Down Sprayer (Stream and Spray)
- 360° Rotating High Arc Spout
- 3/8" Connections
- AutoDock™ Sprayhead Docking
- 16" Extended Hose Length
- Nylon Braided Supply Lines
- Nylon Braided Hose
- Forward Handle Operation
- Pfast Connect™
- TiteSeal™ Technology
- Wipe Clean Nozzles
- Quick Install Tool
- Pforever Seal™ Ceramic Disc Valve
- Limited Lifetime Warranty



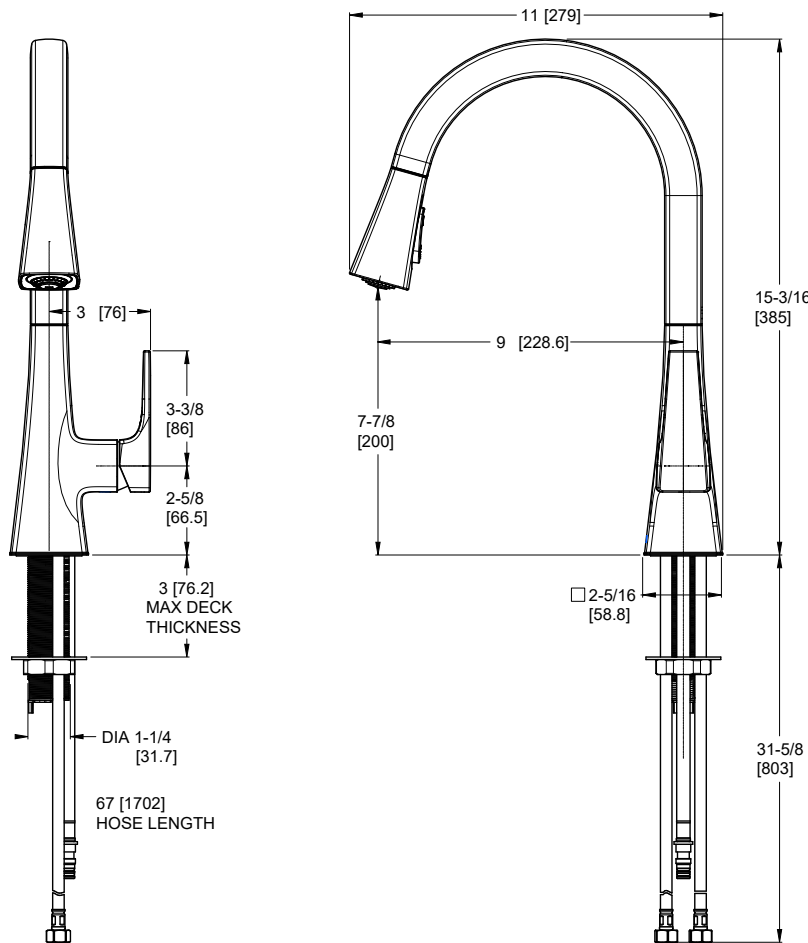
Code Compliance

Pfister products are designed and manufactured in compliance with the following standards and codes:

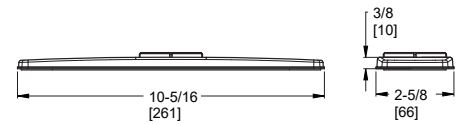
- IAPMO Certified to ASME A112.18.1/CSA B125.1 including:
 - ASME A112.18.3 (Backflow Prevention)
- NSF/ANSI/CAN61:Q≤1
- CEC Certified/CALGreen compliant
- ADA Compliant - ANSI A117.1 (Lever Handle Only)



Dimensions



Optional Aerators Available	
GPM	Part Number
1.0 GPM	941-4440
1.5 GPM	941-683



Optional Included Deckplate

Ø1-3/8 Min to Ø1-1/2 Max. Deck Hole Openings