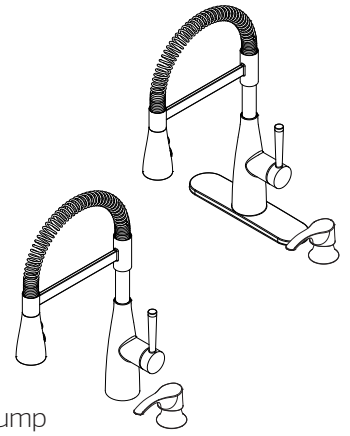


- F-529-7RYCB Finish(B)
- F-529-7RYCC Finish(C)
- F-529-7RYCGS Finish(GS)



Specifications

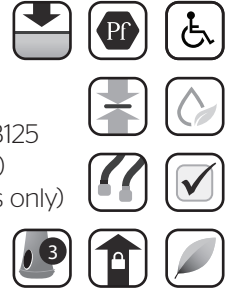
Features

- 1.8 GPM Flow Rate
- 1, 2, 3 or 4-Hole Installation; Deckplate or Single Hole Mounting Option Included
- 3 Function Pull-Down Sprayer (Spray, Stream, and Pause)
- 3/8" Connections
- 360° Rotating High Arc Swivel Spout
- 12.5" Pull-Down Hose Length
- All Metal Construction
- AccuDock™ Sprayhead Docking
- Spot Defense™ Finish Resists Spots and Fingerprints (GS Finish Only)
- Wipe Clean™ Nozzles
- Polyethylene Hose
- Forward Handle Operation
- PERT Supply Lines
- Quick Install Tool
- Pfaster Connect™
- SoloTilt™ One-Hand Soap Dispenser
- TiteSeal™ Technology
- Pforever Seal™ Ceramic Disc Valve
- Pforever Warranty®

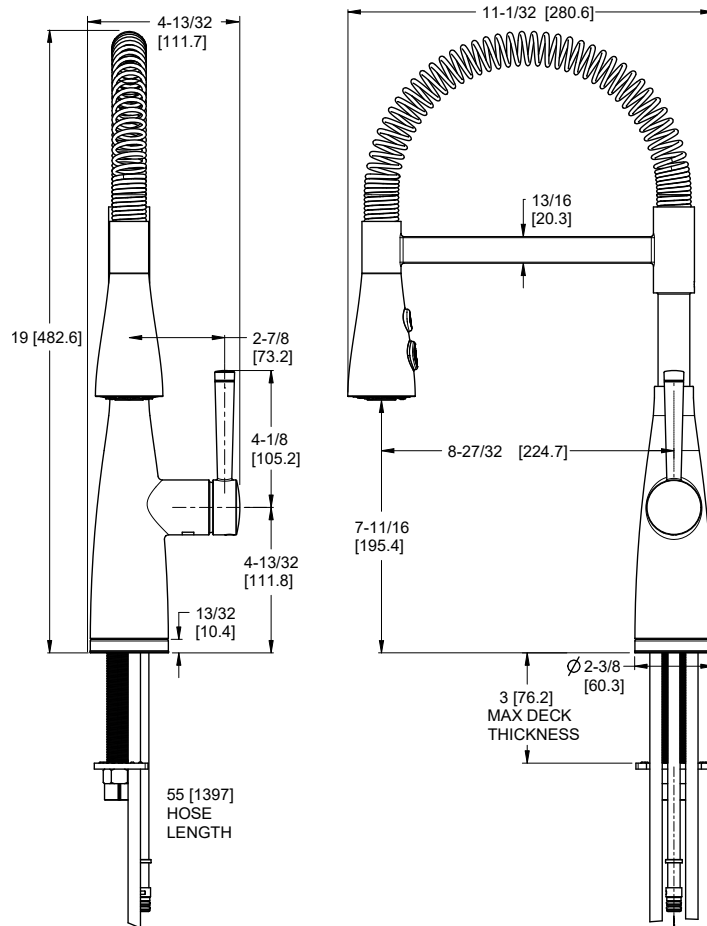
Code Compliance

Pfister products are designed and manufactured in compliance with the following standards and codes:

- IAPMO Certified to ASME A112.18.1/ CSA B125
- Certified to NSF 61/9 Annex G (Low lead)
- ADA Compliant-ANSI A117.1 (lever handles only)
- CEC Compliant
- CALGreen Compliant
- ASME A112.18.3 (Backflow Prevention)

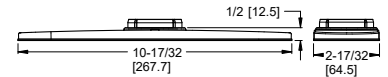


Dimensions

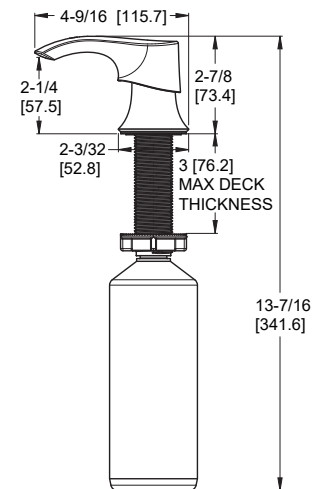


Ø1-3/8 Min to Ø1-1/2 Max. Deck Hole Openings

Optional Included Deckplate



Top Filling Soap Dispenser



36 Inch Supply Lines with 3/8 Female Compression Brass Connections

