

Specifications

- 1 or 3-Hole Installation
- Pforever Seal

Features

- 2.2 GPM Flow Rate
- 1 or 3-Hole Installation; Deck Plate or Single Hole Mounting Option
- 3 Function Pullout Sprayer
- Optional Deckplate with Tie Downs
- Mounting Hardware Included
- PVD Finish
- Swivel Spout
- Pforever Seal Ceramic Disc Valve
- Pforever Warranty®

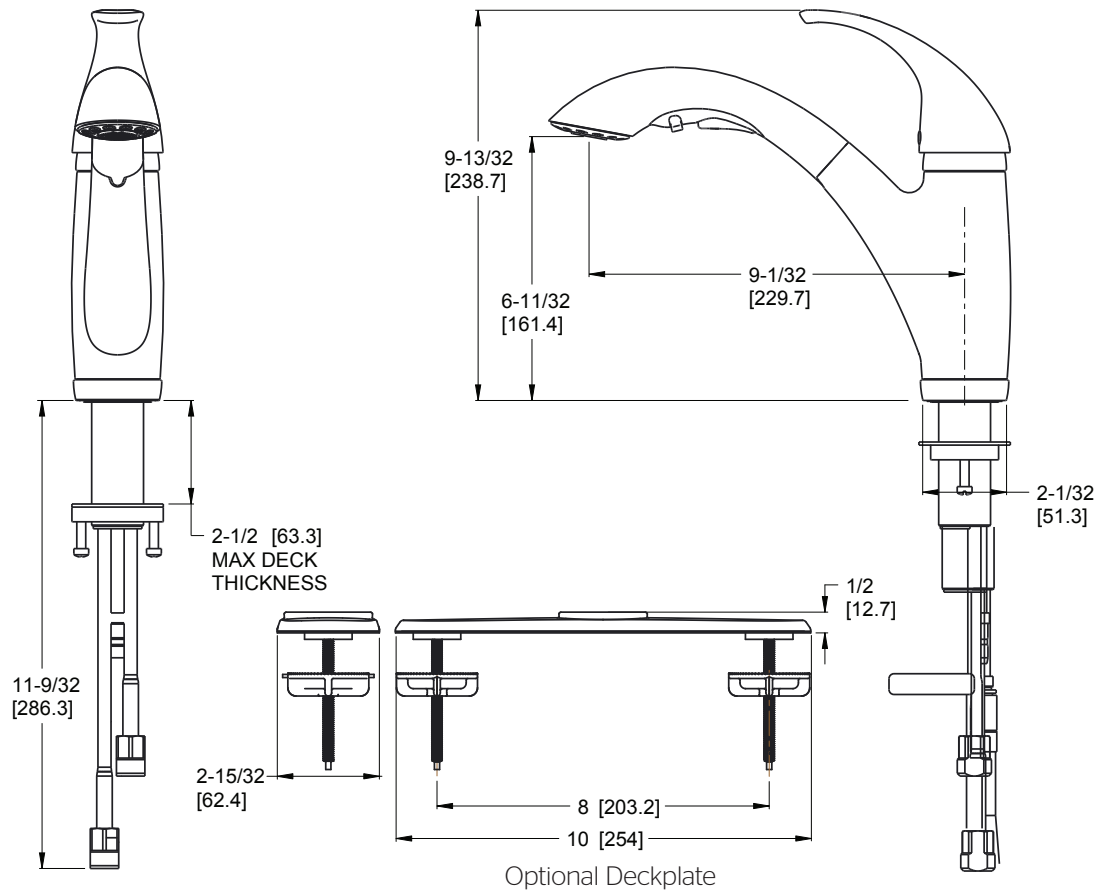
Code Compliance

Pfister products are designed and manufactured in compliance with the following standards and codes:

- IAPMO Certified
- CSA B125 Certified
- ASME A112.18.1
- NSF 61/9 Annex G (Low lead)
- Cal Green Compliant
- ADA Compliant-ANSI A117.1 (Lever handles only)



Dimensions



Ø1-3/8 Min to Ø1-1/2 Max. Deck Hole Openings