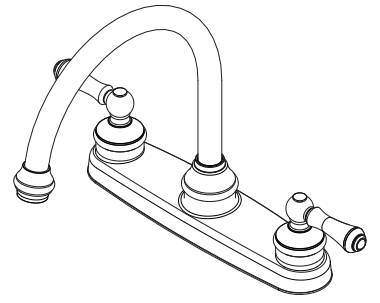


F-8H6-85BC Finish(C)

F-8H6-85BS Finish(S)



Specifications

Features

- 2.2 GPM Flow Rate
- All Metal Construction
- Mounting Posts Included
- High Arc Spout
- 360° Rotating Swivel Spout
- Pforever Seal Ceramic Disc Valves
- Pforever Warranty®

- 360° Rotating Spout
- Pforever Seal

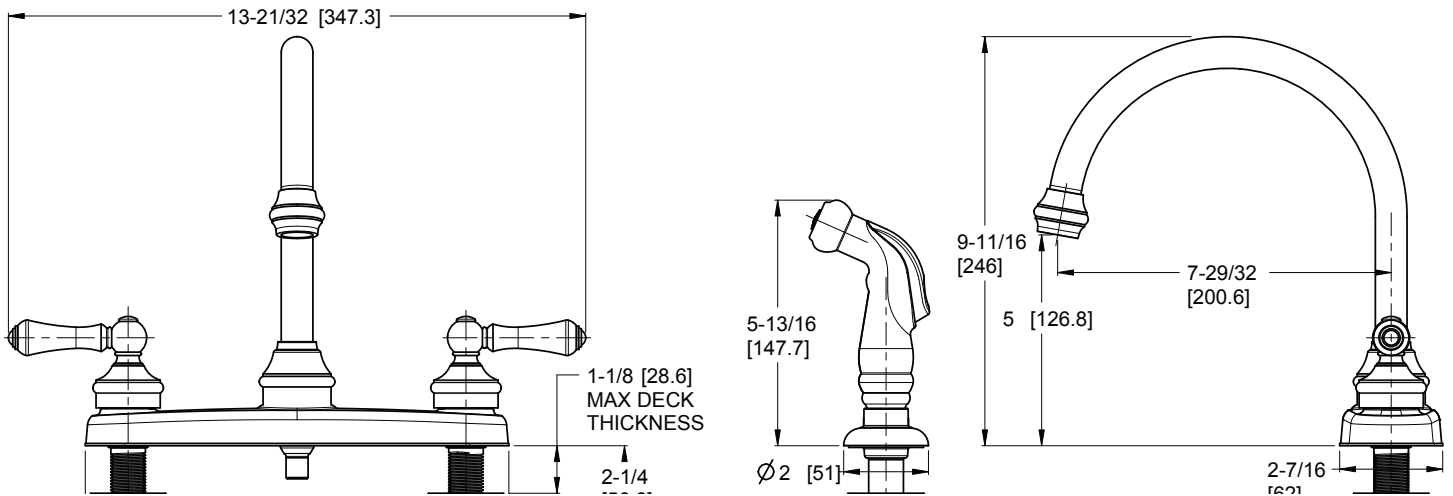
Code Compliance

Pfister products are designed and manufactured in compliance with the following standards and codes:

- IAPMO Certified
- CSA B125 Certified
- ASME A112.18.1
- NSF 61/9 Annex G (Low lead)
- Cal Green Compliant
- ADA Compliant-ANSI A117.1 (Lever handles only)



Dimensions



Ø1-3/8 Min to Ø1-1/2 Max. Deck Hole Openings