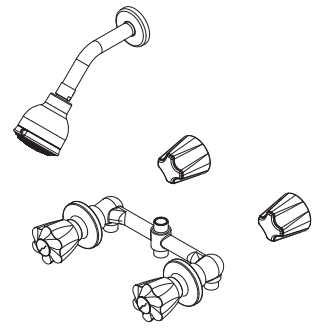


G07-1110 Finish(C)   
G07-1180 Finish(C)



### Specifications

#### Features

- 2.0 GPM Flow Rate
- All Metal Construction
- Multi-Function Showerhead (2 Functions)
- Pforever Warranty®

- All Metal Construction

#### Code Compliance

Pfister products are designed and manufactured in compliance with the following standards and codes:

- IAPMO Certified
- CSA B125 Certified
- ASME A112.18.1
- Cal Green Complaint
- CEC Compliant



### Dimensions

