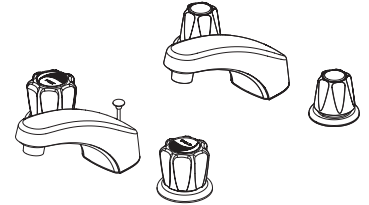


- G149-6000 Finish(PC)
- G149-6002 Finish(PC)
- G149-600K Finish(KK)



Specifications

- Two-Handle
- 3-Hole Installation

Features

- Acrylic Handles (6002 Only)
- Metal Handles (6000 & 600K Only)
- Chain Loop Hole
- Washerless Valves
- Pforever Warranty®

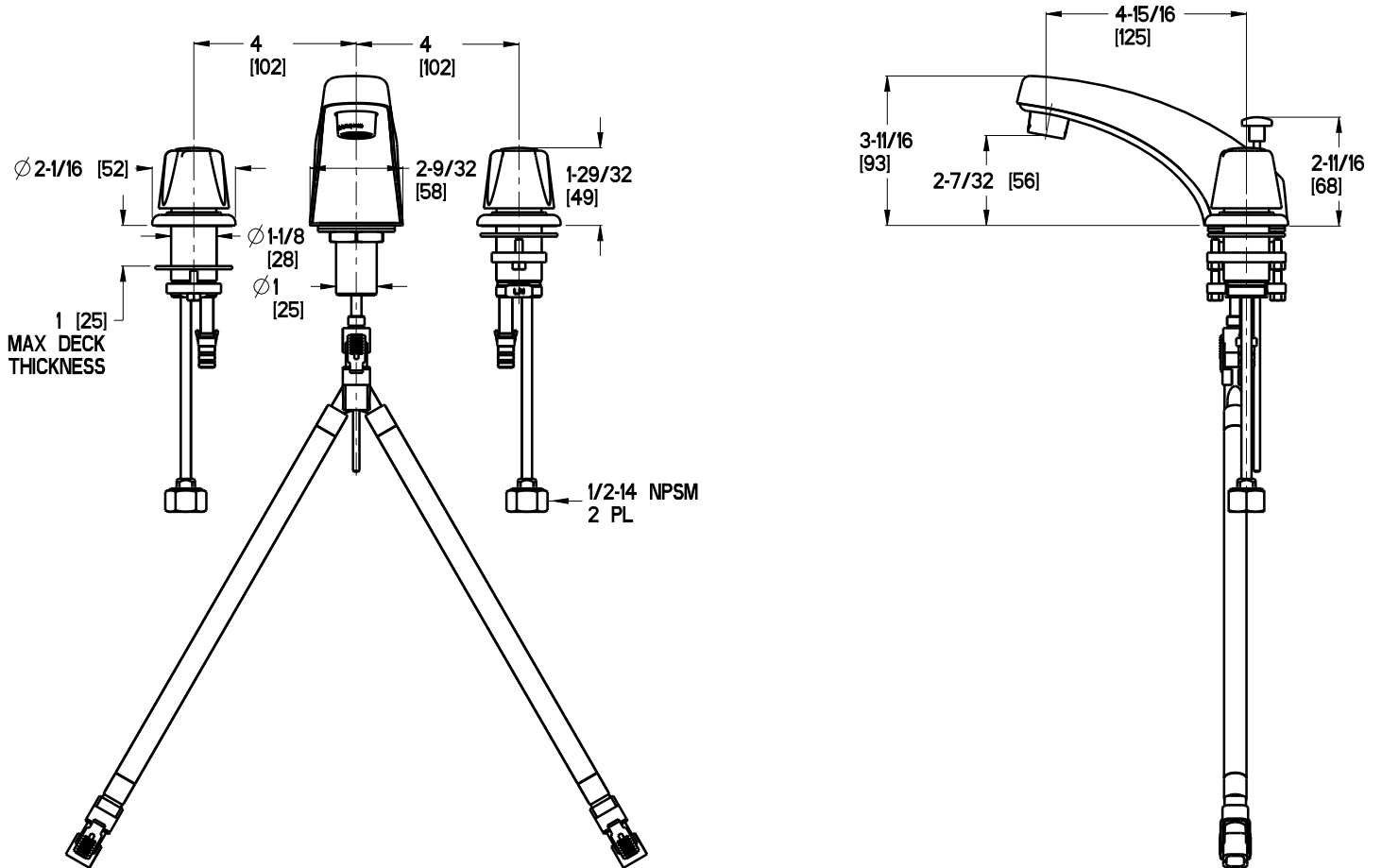
Code Compliance

Pfister products are designed and manufactured in compliance with the following standards and codes:

- IAPMO Certified
- CSA B125 Certified
- ASME A112.18.1
- NSF 61/9 Annex G (Low lead)
- Cal Green Compliant
- EPA Watersense Certification 1.5 gpm, 5.7L/Min



Dimensions



\varnothing 1 Min to \varnothing 1-1/2 Max. Deck Hole Openings