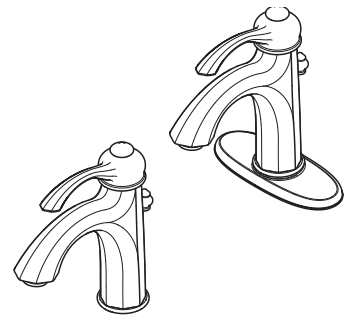


- GT42-RPOC Finish(C)
- GT42-RPOK Finish(K)
- GT42-RPOY Finish(Y)



Specifications

Features

- 1.5 GPM Flow Rate
- 1 or 3-Hole Installation; Deck Plate or Single Hole Mounting Option
- Mounting Hardware Included
- Pforever Warranty®

- Lever Handles
- 1 or 3-Hole Installation
- Pforever Seal

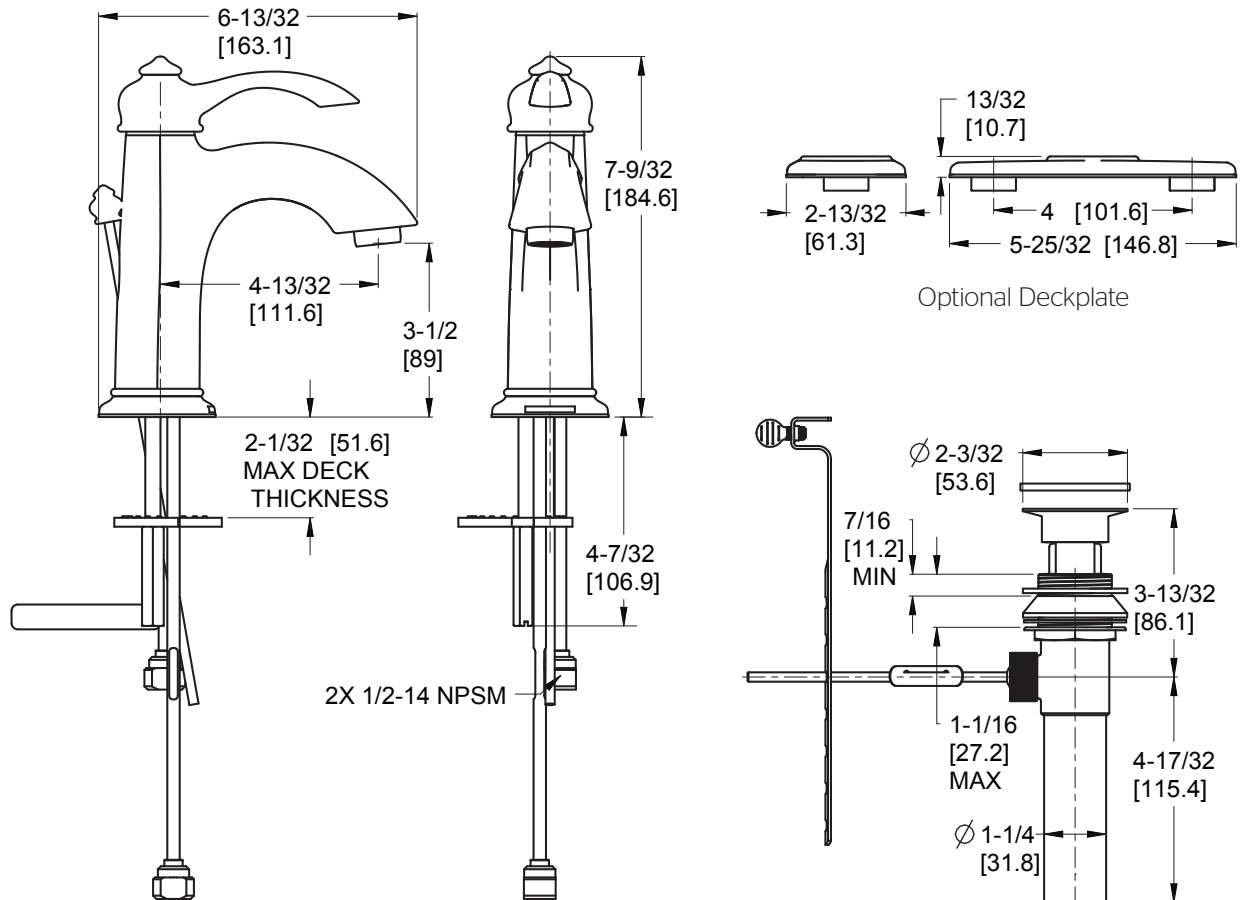
Code Compliance

Pfister products are designed and manufactured in compliance with the following standards and codes:

- IAPMO Certified
- CSA B125 Certified
- ASME A112.18.1
- NSF 61/9 Annex G (Low lead)
- Cal Green Compliant
- EPA WaterSense Certification 1.5 gpm, 5.7 L/Min
- ADA Compliant-ANSI A117.1 (Lever handles only)



Dimensions



Ø1 Min to Ø1-1/2 Max. Deck Hole Openings