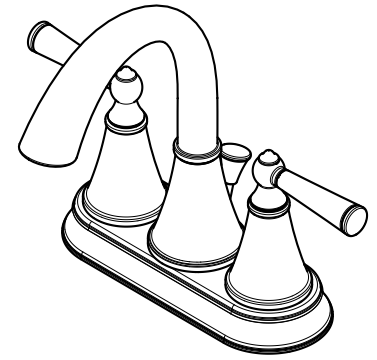


- GT49-GLOC Finish(C)
- GT49-GLOK Finish(K)
- GT49-GLOY Finish(Y)



Specifications

- All Metal Construction

Features

- 1.5 GPM Flow Rate
- All Metal Construction
- Fixed Hub
- Metal Pop-Up
- Mounting Hardware Included
- Pforever Seal Ceramic Disc Valve
- Pforever Warranty®

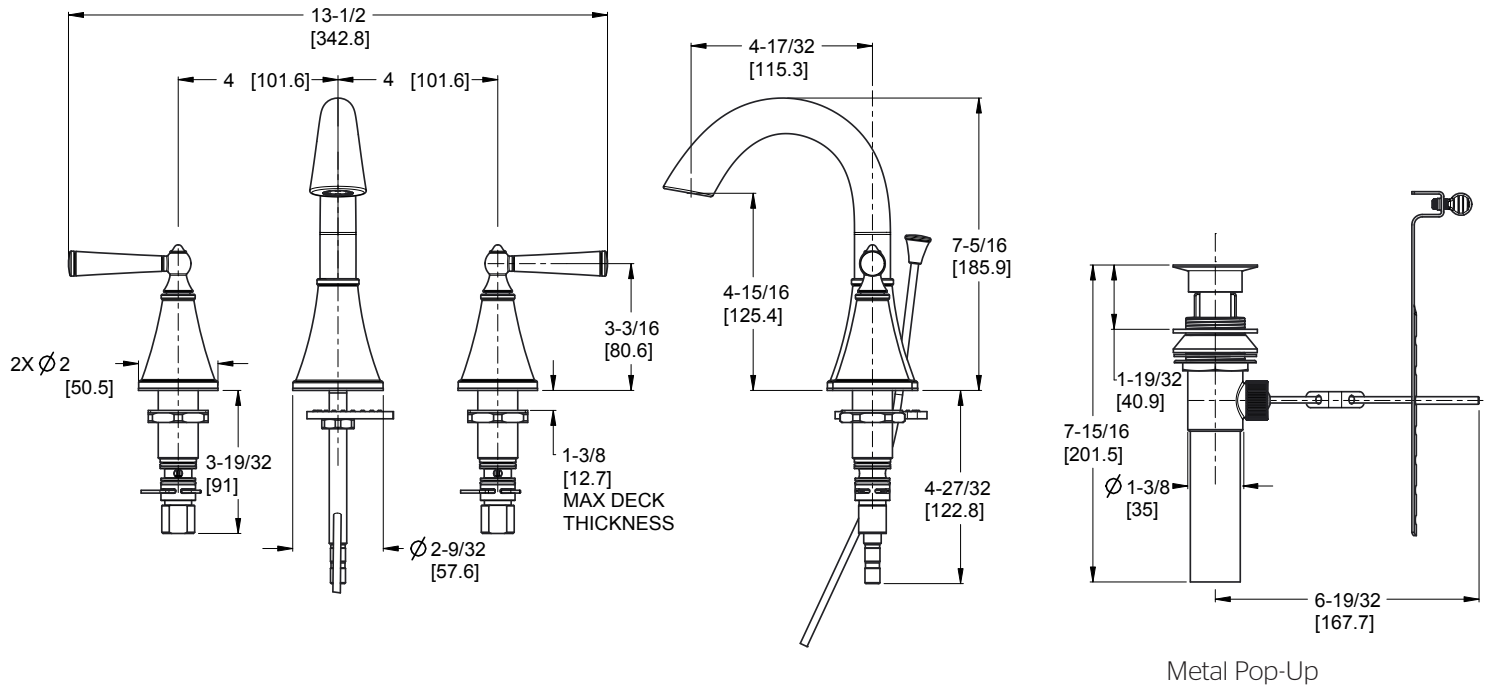
Code Compliance

Pfister products are designed and manufactured in compliance with the following standards and codes:

- IAPMO Certified
- CSA B125 Certified
- ASME A112.18.1
- NSF 61/9 Annex G (Low lead)
- Cal Green Compliant
- ADA Compliant-ANSI A17.1 (Lever handles only)
- EPA WaterSense Certification 1.5 gpm, 5.7L/Min



Dimensions



Ø1 Min to Ø1-1/2 Max. Deck Hole Openings