

- GT49-WE1C Finish(CC)
- GT49-WE1D Finish(DD)
- GT49-WE1K Finish(KK)
- GT49-WE1Y Finish(Y Y)

- Lever Handles
- Trim Only, Valve Not Included
- Pforever Seal
- Solid Brass Construction

Specifications

Features

- Wallmount
- 3-Hole Installation
- Pforever Seal Ceramic Disc Valves
- Pforever Warranty®

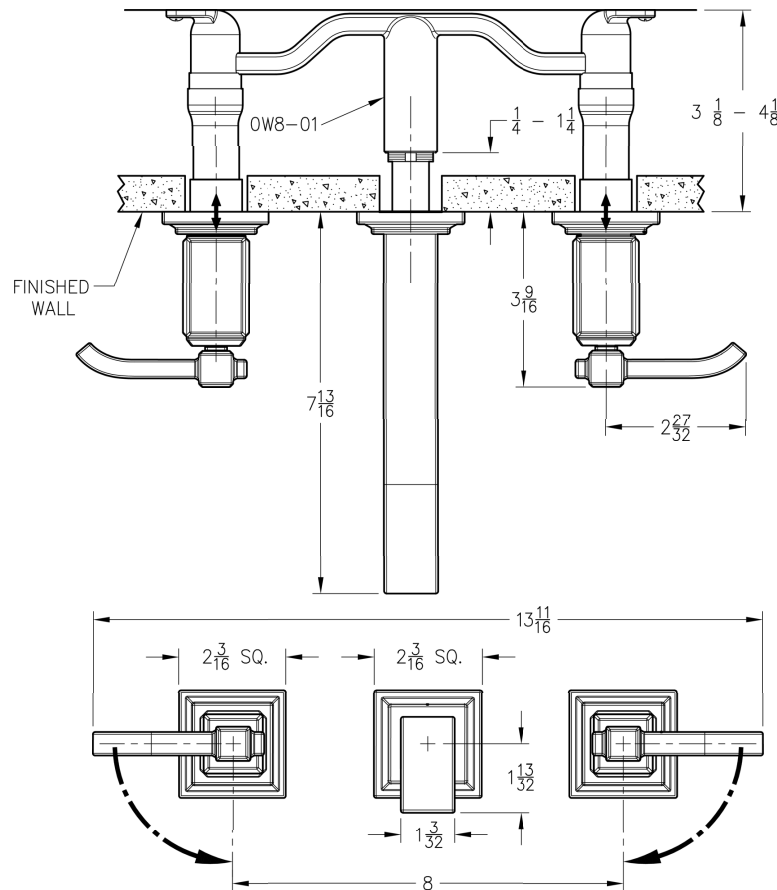
Code Compliance

Pfister products are designed and manufactured in compliance with the following standards and codes:

- IAPMO Certified
- CSA B125 Certified
- ASME A112.18.1
- NSF 61/9 Annex G (Low lead)
- Cal Green Compliant
- EPA WaterSense Certification 1.5 gpm, 5.7 L/Min
- ADA Compliant-ANSI A117.1 (Lever handles only)



Dimensions



Ø1 Min to Ø1-1/2 Max. Deck Hole Openings