

- GT529-FOB Finish(B)
- GT529-FOBG Finish(BG)
- GT529-FOC Finish(C)
- GT529-FOS Finish(S)

- AccuDock™ Sprayhead Docking
- Forward Handle Operation
- Pforever Seal™

Specifications

Features

- 1.8 GPM Flow Rate
- 12" Extended Hose Length
- Nylon Braided Pull-Down Hose
- 2 Function Pull-Down Sprayer (Spray & Stream)
- AccuDock™ Sprayhead Docking
- 360° Rotating High Arc Swivel Spout
- Forward Handle Operation
- Integrated Nylon Braided Supply Lines with 3/8" Compression Fittings
- Optional Deckplate Available, Order 961-287* Separately
- TiteSeal™ Technology
- Pfast Connect™
- Pforever Seal™ Ceramic Disc Valve
- Limited Lifetime Warranty



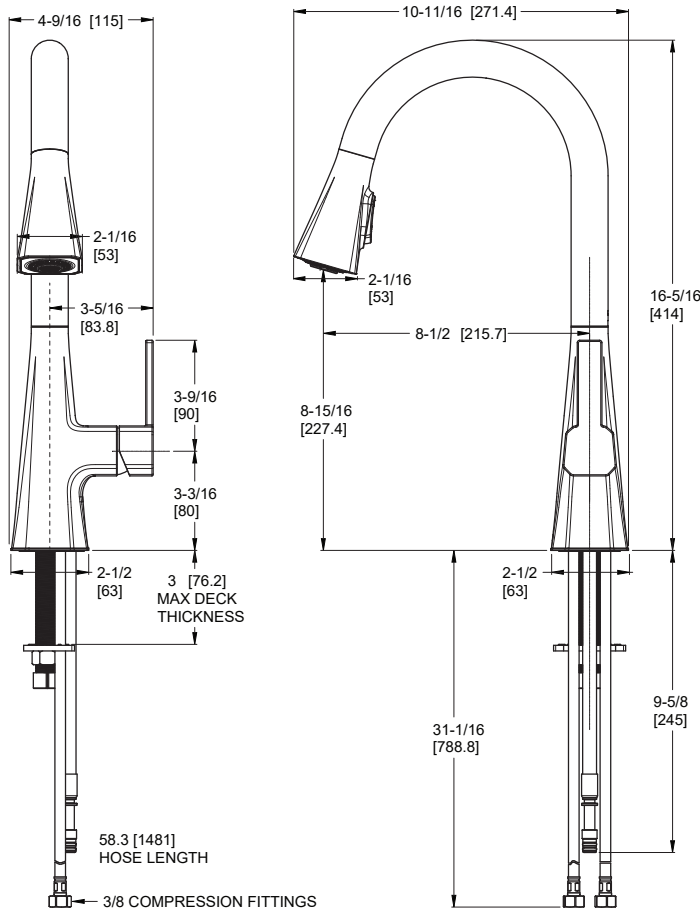
Code Compliance

Pfister products are designed and manufactured in compliance with the following standards and codes:

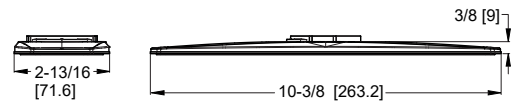
- IAPMO Certified to ASME A112.18.1/CSA B125.1 including:
 - ASME A112.18.3 (Backflow Prevention)
- NSF/ANSI/CAN61:Q≤1
- CEC Certified/CALGreen compliant
- ADA Compliant - ANSI A117.1 (Lever Handles Only)



Dimensions



Optional Aerators Available	
GPM	Part Number
0.5 GPM	941-820
1.0 GPM	941-7069
1.5 GPM	941-7079



Optional Deckplate 961-287*

Ø1-3/8 Min to Ø1-1/2 Max. Deck Hole Openings