

Highlights

- Bell Hub
- Solid Brass Construction
- MatchMakers® Accessories Available

Code Compliance

Price Pfister products are designed and manufactured in compliance with the following standards and codes:

- IAPMO certified
- ASME A112.18.1
- CSA B125 certified
- ANSI A117.1 (Lever handles only)

SGL-HHS-HHL Series

Hub & Handle Trim

Lever Handles

Finishes	HHL-BBPC	HHL-BGPP	HHL-BLPC	HHL-BLPP	HHS-BBPC	HHS-BGPP	HHS-BLPC	HHS-BLPP	SGL-B0PC	SGL-B0PP	SGL-BBPC	SGL-BGPP
Polished Chrome	x		x		x		x		x		x	
Pforever Pfinish® Polished Brass		x		x		x		x		x		x

Features	HHL-BBPC	HHL-BGPP	HHL-BLPC	HHL-BLPP	HHS-BBPC	HHS-BGPP	HHS-BLPC	HHS-BLPP	SGL-B0PC	SGL-B0PP	SGL-BBPC	SGL-BGPP
For 4" Centerset Faucets					x	x	x	x				
For Widespread, Mini-Widespread and Roman Tub Faucets	x	x	x	x								
For Tub & Shower Trim									x	x	x	x
Kit Contains One Handle									x	x	x	x
Kit Contains Two Handles	x	x	x	x	x	x	x	x				
Black Porcelain Lever Handles	x				x						x	
Green Porcelain Lever Handles		x				x						x
White Porcelain Lever Handles			x	x			x	x	x	x		
Pforever Warranty®	x	x	x	x	x	x	x	x	x	x	x	x

See additional SS-HDL specification submittals for more handle selections.



- HHL-BBPC
- HHL-BGPP
- HHL-BLPC
- HHL-BLPP
- HHS-BBPC
- HHS-BGPP
- HHS-BLPC
- HHS-BLPP
- SGL-B0PC
- SGL-B0PP
- SGL-BBPC
- SGL-BGPP

For additional information, please contact your Price Pfister representative, or visit our website at www.pricepfister.com.

Project: _____

Contractor: _____

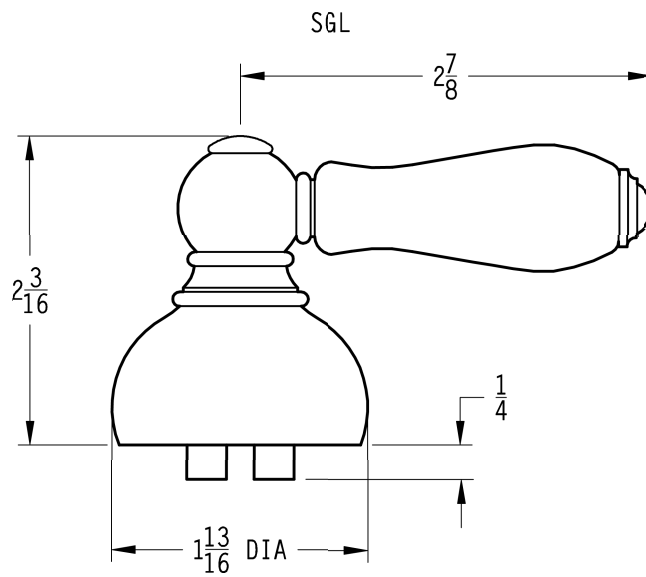
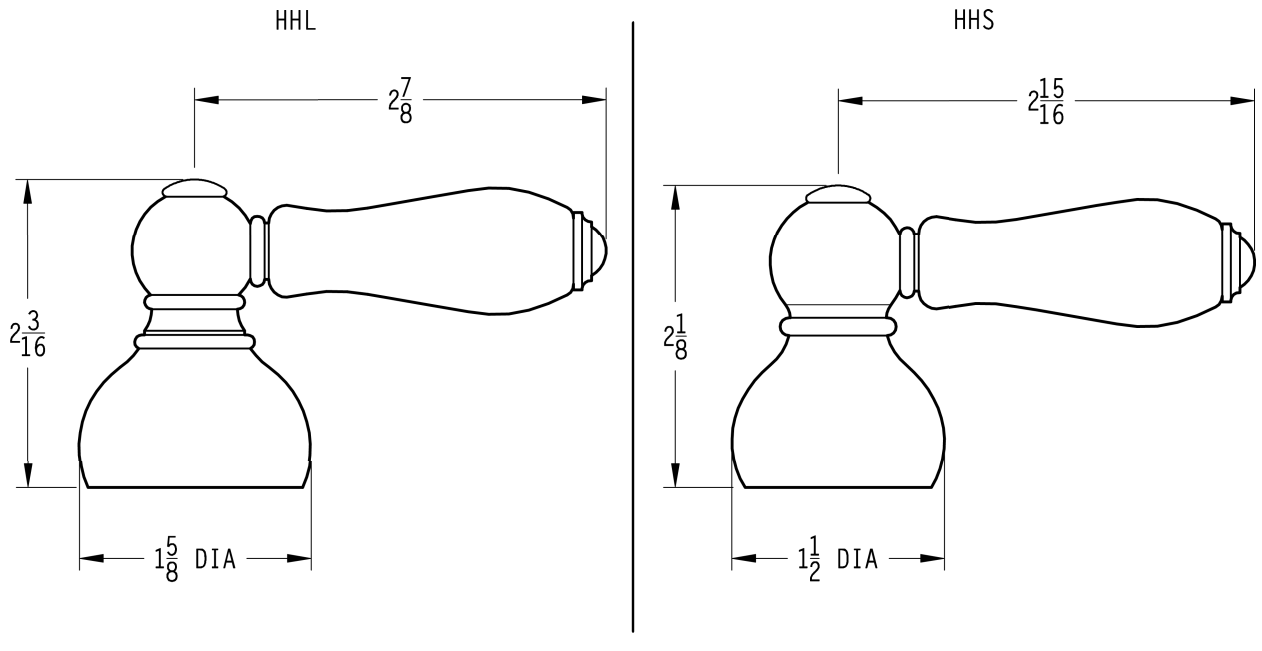
SS-HDL-10

1-800-PFAUCET www.pricepfister.com
 19701 DaVinci, Lake Forest, CA 92610
 01/8/03



SGL-HHS-HHL Series

Hub & Handle Trim



Dimensions are in Inches

1-800-PFAUCET www.pricepfister.com
 19701 DaVinci, Lake Forest, CA 92610
 01/8/03

Price Pfister®
 Pf Pfreshet Ideas in Pf faucets.