

Highlights

- Bell Hub
- Solid Brass Construction
- MatchMakers® Accessories Available

Code Compliance

Price Pfister products are designed and manufactured in compliance with the following standards and codes:

- IAPMO certified
- ASME A112.18.1
- CSA B125 certified
- ANSI A117.1 (Lever handles only)

SGL-HHS-HHL Series

Hub & Handle Trim

Lever Handles

| Finishes | HHL-BFKK | HHL-BLFC | HHL-BLFM | HHL-BLFP | HHS-BFKK | HHS-BLFC | HHS-BLFM | HHS-BLFP | SGL-BFKK | SGL-BFMB | SGL-H0FC | SGL-H0FP |
|------------------------------------|----------|----------|----------|----------|----------|----------|----------|----------|----------|----------|----------|----------|
| Polished Chrome | | X | | | | X | | | | | X | |
| Polished Chrome with Brass Accents | | | X | | | | X | | | X | | |
| Pforever Pfinish® Polished Brass | | | | X | | | | X | | | | X |
| Brushed Nickel with Brass Accents | X | | | | X | | | | X | | | |

| Features | HHL-BFKK | HHL-BLFC | HHL-BLFM | HHL-BLFP | HHS-BFKK | HHS-BLFC | HHS-BLFM | HHS-BLFP | SGL-BFKK | SGL-BFMB | SGL-H0FC | SGL-H0FP |
|---|----------|----------|----------|----------|----------|----------|----------|----------|----------|----------|----------|----------|
| For 4" Centerset Faucets | | | | | X | X | X | X | | | | |
| For Widespread, Mini-Widespread and Roman Tub Faucets | X | X | X | X | | | | | | | | |
| For Tub & Shower Trim | | | | | | | | | X | X | X | X |
| Kit Contains One Handle | | | | | | | | | X | X | X | X |
| Kit Contains Two Handles | X | X | X | X | X | X | X | X | | | | |
| French Lever Handles | X | X | X | X | X | X | X | X | X | X | X | X |
| Pforever Warranty® | X | X | X | X | X | X | X | X | X | X | X | X |

See additional SS-HDL specification submittals for more handle selections.



- HHL-BFKK
- HHL-BLFC
- HHL-BLFM
- HHL-BLFP
- HHS-BFKK
- HHS-BLFC
- HHS-BLFM
- HHS-BLFP
- SGL-BFKK
- SGL-BFMB
- SGL-H0FC
- SGL-H0FP

For additional information, please contact your Price Pfister representative, or visit our website at www.pricepfister.com.

Project: _____

Contractor: _____

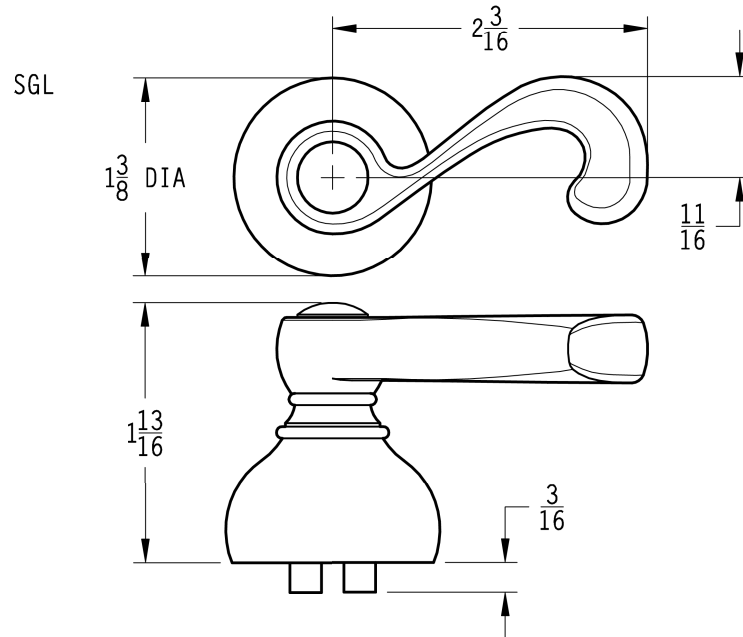
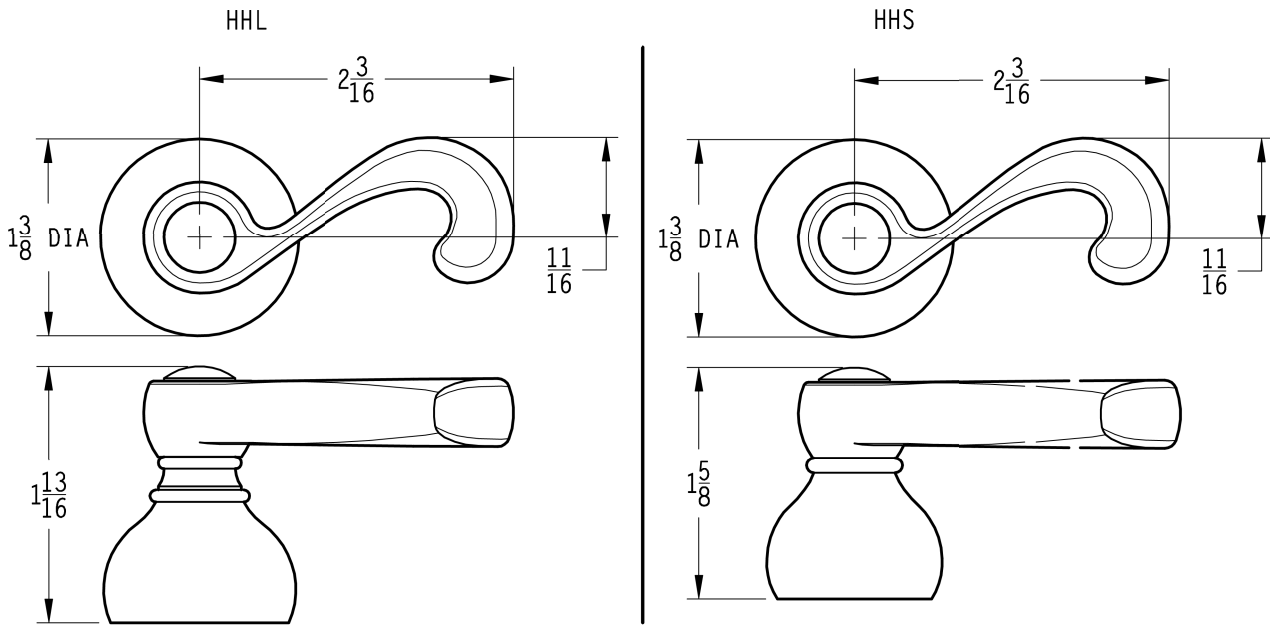
SS-HDL-11

1-800-PFAUCET www.pricepfister.com
 19701 DaVinci, Lake Forest, CA 92610
 01/8/03



SGL-HHS-HHL Series

Hub & Handle Trim



Dimensions are in Inches

1-800-PFAUCET www.pricepfister.com
 19701 DaVinci, Lake Forest, CA 92610
 01/8/03

Price Pfister®
 Pf Pfreshet Ideas in Pfaucets.