

Highlights

- Treviso Hub

SGL-HHS-HHL Series

Hub & Handle Trim

Lever Handles

Code Compliance

Price Pfister products are designed and manufactured in compliance with the following standards and codes:

- IAPMO certified • ASME A112.18.1
- CSA B125 certified • ANSI A117.1 (Lever handles only)

Finishes	HHL-DKMK	HHL-DLBC	HHL-DLBP	SGL-DKMK	SGL-DLBC	SGL-DLBP
Polished Chrome	x	x			x	
Pforever Pfinish® Polished Brass			x			x
Pforever Pfinish® Brushed Nickel	x			x		

Features	HHL-DKMK	HHL-DLBC	HHL-DLBP	SGL-DKMK	SGL-DLBC	SGL-DLBP
For Roman Tub Faucets	x	x	x			
For Tub & Shower Trim				x	x	x
Kit Contains One Handle				x	x	x
Kit Contains Two Handles	x	x	x			
Metal Lever Handles	x	x	x	x	x	x
Pforever Warranty®	x	x	x	x	x	x



- HHL-DKMK
- HHL-DLBC
- HHL-DLBP
- SGL-DKMK
- SGL-DLBC
- SGL-DLBP

For additional information, please contact your Price Pfister representative, or visit our website at www.pricepfister.com.

Project: _____

Contractor: _____

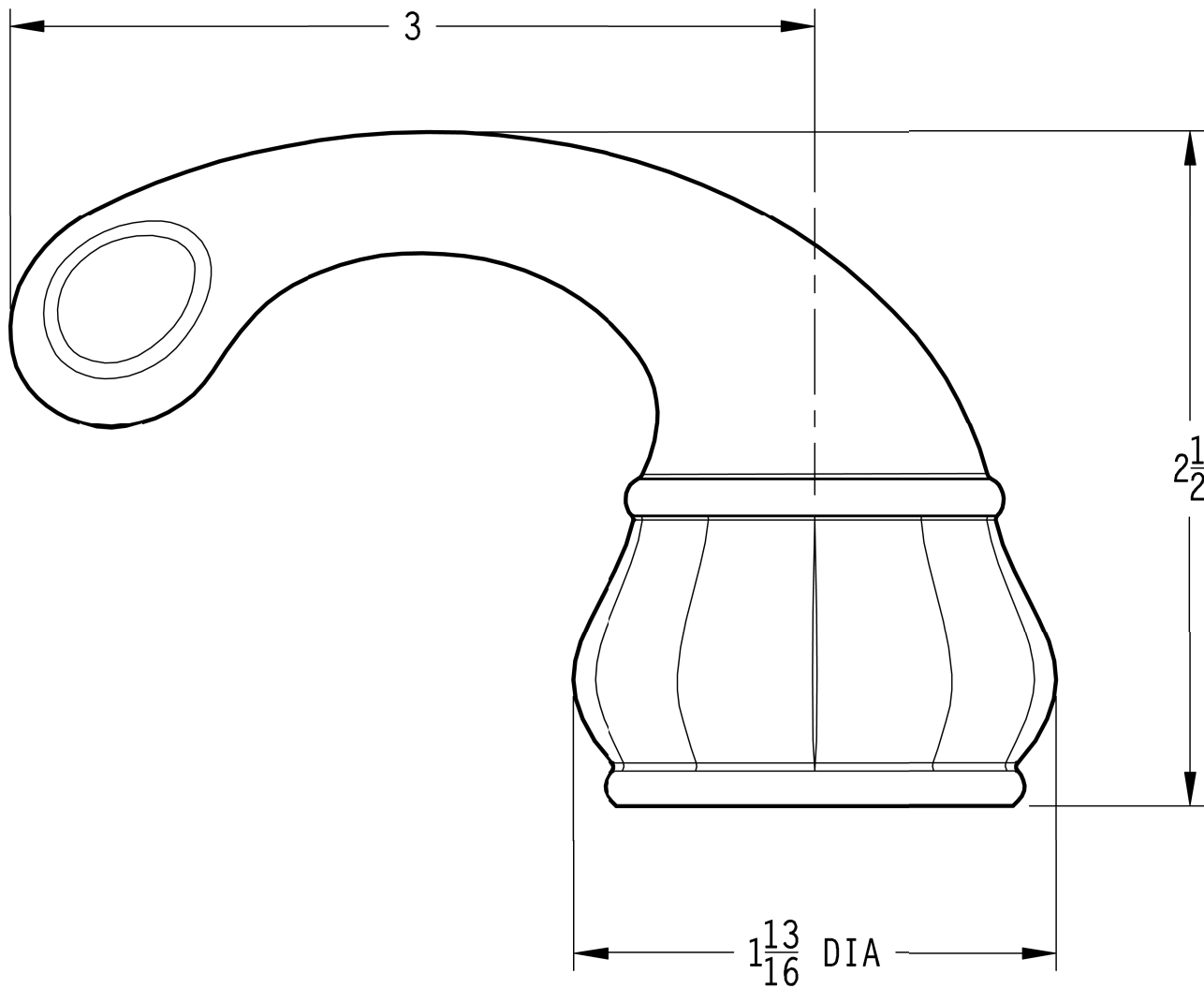
SS-HDL-23

1-800-PFAUCET www.pricepfister.com
 19701 DaVinci, Lake Forest, CA 92610
 01/8/03



SGL-HHS-HHL Series

Hub & Handle Trim



Dimensions are in Inches

1-800-PFAUCET www.pricepfister.com
19701 DaVinci, Lake Forest, CA 92610
01/8/03

Price Pfister®
Pf Pfreshet Ideas in Pfaucets.

SS-HDL-23