

Highlights

- Conical Hub
- Solid Brass Construction
- MatchMakers® Accessories Available

Code Compliance

Price Pfister products are designed and manufactured in compliance with the following standards and codes:

- IAPMO certified
- ASME A112.18.1
- CSA B125 certified
- ANSI A117.1 (Lever handles only)

SGL-HHS-HHL Series

Hub & Handle Trim

Lever Handles

Finishes	HHL-JLPC	HHL-JLPP	HHS-JLPC	HHS-JLPP	SGL-JLPC	SGL-JLPP
Polished Chrome	X		X		X	
Pforever Pfinish® Polished Brass		X		X		X

Features	HHL-JLPC	HHL-JLPP	HHS-JLPC	HHS-JLPP	SGL-JLPC	SGL-JLPP
For 4" Centerset Faucets			X	X		
For Widespread, Mini-Widespread and Roman Tub Faucets	X	X				
For Tub & Shower Trim					X	X
Kit Contains One Handle					X	X
Kit Contains Two Handles	X	X	X	X		
White Porcelain Lever Handles	X	X	X	X	X	X
Pforever Warranty®	X	X	X	X	X	X

See additional SS-HDL specification submittals for more handle selections.



- HHL-JLPC
- HHL-JLPP
- HHS-JLPC
- HHS-JLPP
- SGL-JLPC
- SGL-JLPP

For additional information, please contact your Price Pfister representative, or visit our website at www.pricepfister.com.

Project: _____

Contractor: _____

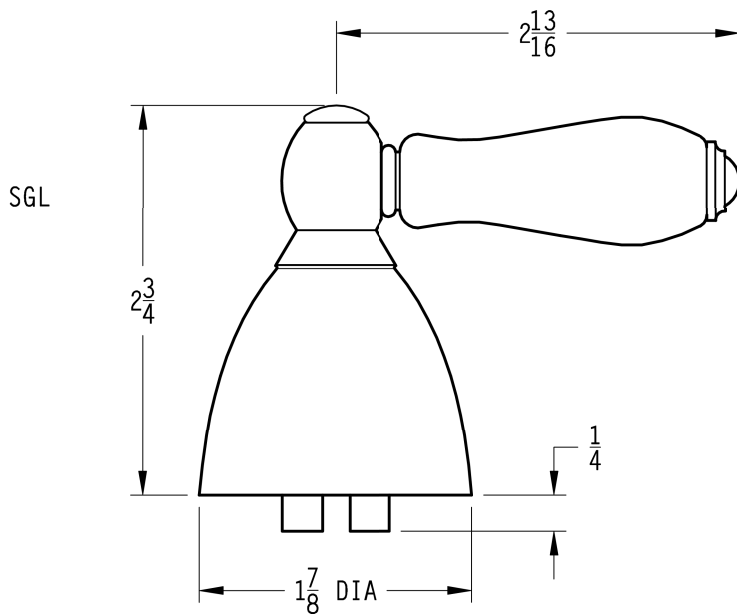
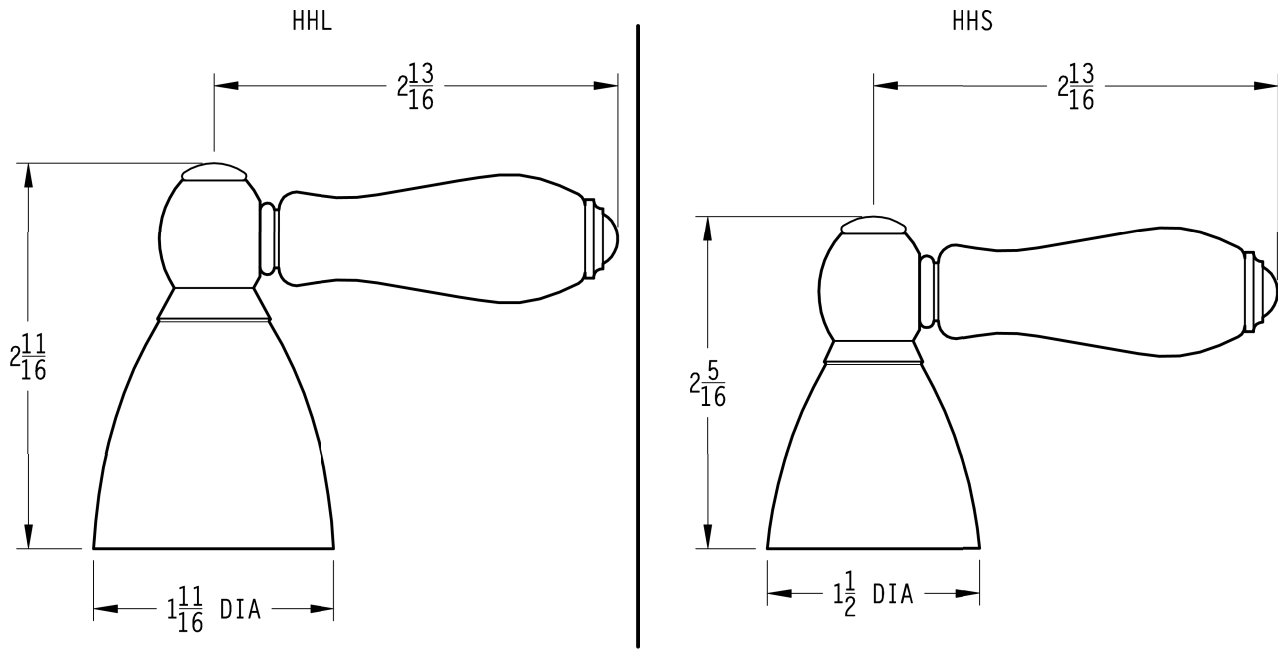
SS-HDL-18

1-800-PFAUCET www.pricepfister.com
 19701 DaVinci, Lake Forest, CA 92610
 01/8/03

Price Pfister®
 Pfreshest Ideas in Pfaucets.

SGL-HHS-HHL Series

Hub & Handle Trim



Dimensions are in Inches

1-800-PFAUCET www.pricepfister.com
 19701 DaVinci, Lake Forest, CA 92610
 01/8/03

Price Pfister®
 Pf Freshest Ideas in Pfaucets.