

Highlights

- Pforever Warranty®
- Step-By-Step Installation Instructions
- Conical Hub

Code Compliance

Price Pfister products are designed and manufactured in compliance with the following standards and codes:

- IAPMO certified
- ASME A112.18.1
- CSA B125 certified
- ANSI A117.1 (Lever handles only)

SGL-HHS-HHL Series

CONTEMPRA™

Hub & Handle Trim

Lever Handles

Finishes	HHL-NC00	HHL-NK00	SGL-NC00	SGL-NK00
Polished Chrome	x	x	x	
Pforever Pfinish® Brushed Nickel		x		x

Features	HHL-NC00	HHL-NK00	SGL-NC00	SGL-NK00
Conical Hub	x	x	x	x
Handle Only	x	x	x	x
For Widespread, Mini-Widespread and Roman Tub Faucets	x	x		
For Tub & Shower Trim			x	x
Kit Contains One Handle			x	x
Kit Contains Two Handles	x	x		
Lever Handle			x	x
Lever Handles	x	x		
ADA Approved	x	x	x	x
Step-By-Step Installation Instructions	x	x	x	x
Pforever Warranty®	x	x	x	x



- HHL-NC00
- HHL-NK00
- SGL-NC00
- SGL-NK00

For additional information, please contact your Price Pfister representative, or visit our website at www.pricepfister.com.

Project: _____

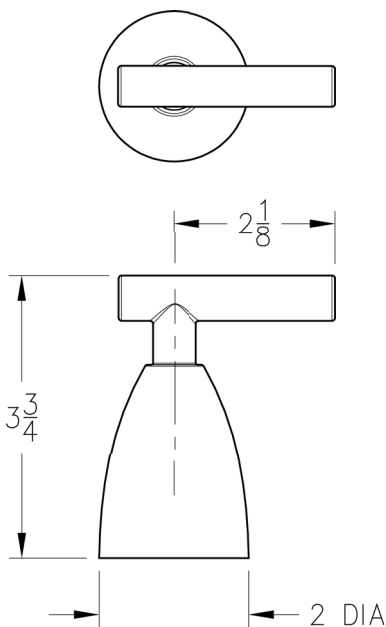
Contractor: _____

1-800-PFAUCET www.pricepfister.com
 19701 DaVinci, Lake Forest, CA 92610
 12/8/04

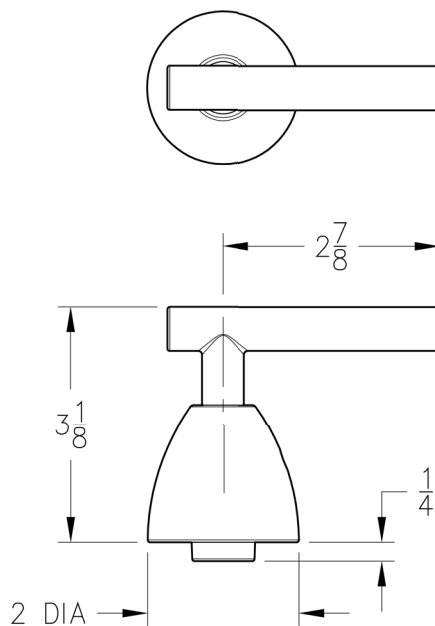


SGL-HHS-HHL Series
CONTEMPRA.
Hub & Handle Trim

HHL



SGL



Dimensions are in Inches

1-800-PFAUCET www.pricepfister.com
19701 DaVinci, Lake Forest, CA 92610
12/8/04

Price Pfister[®]
Pf Pfreshest Ideas in Pfaucets.

SS-HDL-26

