

Highlights

- Metal Lever Handles
- Pforever Warranty®
- ADA Approved

Code Compliance

Price Pfister products are designed and manufactured in compliance with the following standards and codes:

- IAPMO certified
- ASME A112.18.1
- CSA B125 certified
- ANSI A117.1 (Lever handles only)

SGL-HHS-HHL Series

Hub & Handle Trim

Lever Handles

Finishes	HHL-PC00	HHL-PK00	SGL-PC00	SGL-PK00
Polished Chrome	X		X	
Pforever Pfinish® Brushed Nickel		X		X

Features	HHL-PC00	HHL-PK00	SGL-PC00	SGL-PK00
For Roman Tub Faucets	X	X		
For Tub & Shower Trim			X	X
Kit Contains One Handle			X	X
Kit Contains Two Handles	X	X		
Lever Handle			X	X
Lever Handles	X	X		
ADA Approved	X	X	X	X
Step-By-Step Installation Instructions	X	X	X	X
Pforever Warranty®	X	X	X	X



- HHL-PC00
- HHL-PK00
- SGL-PC00
- SGL-PK00

For additional information, please contact your Price Pfister representative, or visit our website at www.pricepfister.com.

Project: _____

1-800-PFAUCET www.pricepfister.com
19701 DaVinci, Lake Forest, CA 92610

Contractor: _____

11/1/05

SS-XGL-06

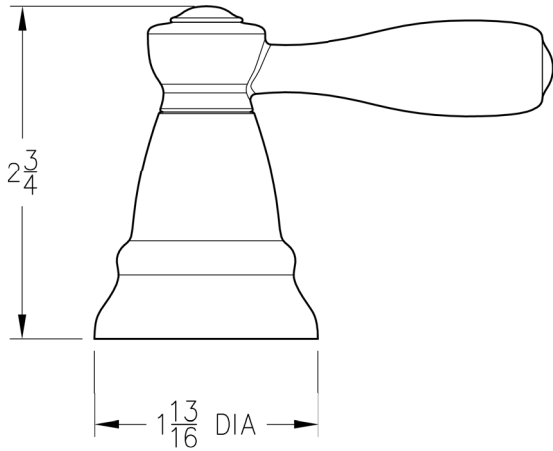
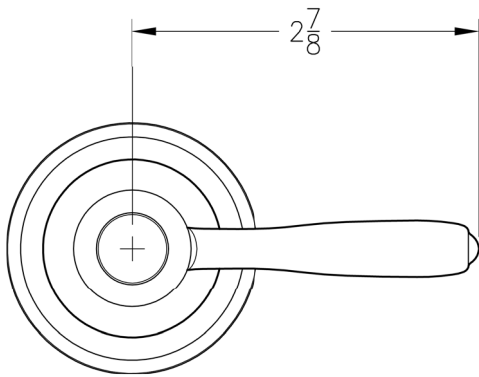
Price Pfister®
 Pfreshest Ideas in Pfaucets.

INSTALLATION DIMENSIONS

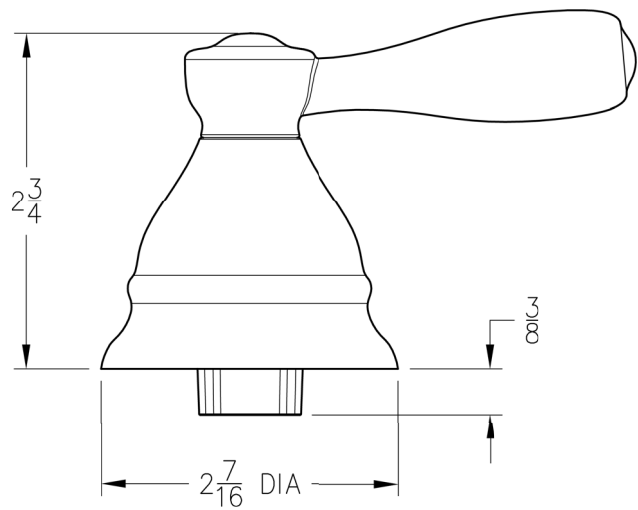
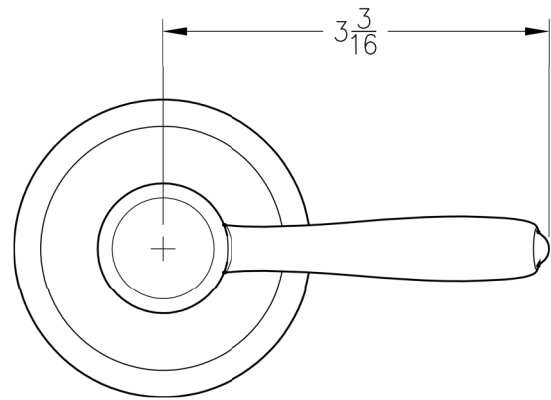
SGL-HHS-HHL Series

Hub & Handle Trim

HHL



SGL



Dimensions are in Inches

1-800-PFAUCET www.pricepfister.com
19701 DaVinci, Lake Forest, CA 92610
10/27/05

Price Pfister[®]
Pf Pfreshest Ideas in Pfauets.

SS-XGL-06