


Highlights

- Rope Ring Hub
- Solid Brass Construction
- MatchMakers® Accessories Available

Code Compliance

Price Pfister products are designed and manufactured in compliance with the following standards and codes:

- IAPMO certified
- ASME A112.18.1
- CSA B125 certified
- ANSI A117.1 (Lever handles only) 

SGL-HHS-HHL Series

Hub & Handle Trim

Round Handle

Finishes	HHL-RRPC	HHL-RRPP	HHS-RRPC	HHS-RRPP	SGL-RRPC
Polished Chrome with Brass Accents	X		X		X
Pforever Pfinish® Polished Brass		X		X	

Features	HHL-RRPC	HHL-RRPP	HHS-RRPC	HHS-RRPP	SGL-RRPC
For 4" Centerset Faucets			X	X	
For Widespread, Mini-Widespread and Roman Tub Faucets	X	X			
For Tub & Shower Trim					X
Kit Contains One Handle					X
Kit Contains Two Handles	X	X	X	X	
Pforever Warranty®	X	X	X	X	X



HHL-RRPC

HHL-RRPP

HHS-RRPC

HHS-RRPP

SGL-RRPC

SGL-RRPC does not require/include hub. See additional SS-HDL specification submittals for more handle selections.

For additional information, please contact your Price Pfister representative, or visit our website at www.pricepfister.com.

Project: _____

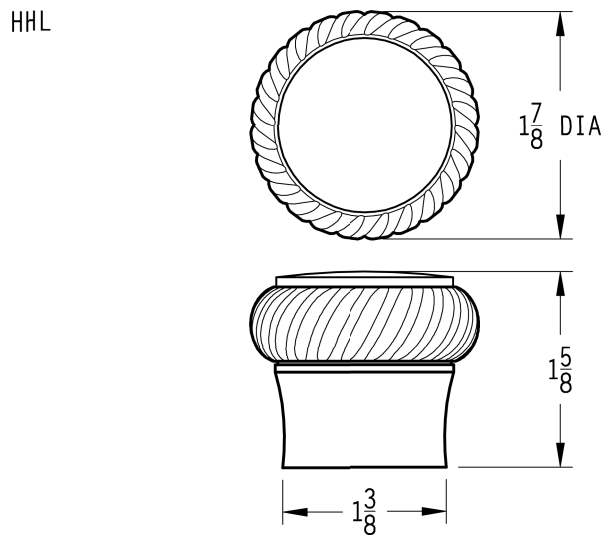
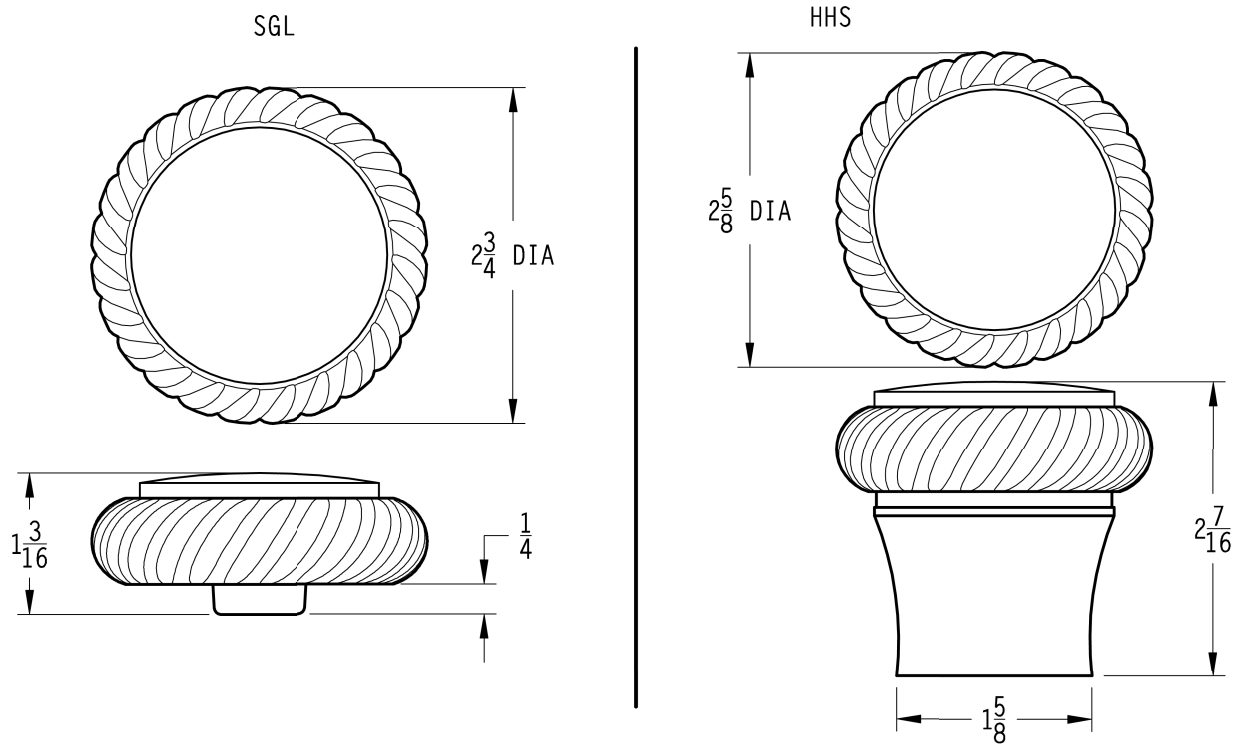
1-800-PFAUCET www.pricepfister.com
19701 DaVinci, Lake Forest, CA 92610
01/8/03

Contractor: _____

SS-HDL-19

SGL-HHS-HHL Series

Hub & Handle Trim



Dimensions are in Inches

1-800-PFAUCET www.pricepfister.com
 19701 DaVinci, Lake Forest, CA 92610
 01/8/03

Price Pfister®
 Pf Pfreshet Ideas in Pf faucets.