

Highlights

- Standard Hub
- Solid Brass Construction
- MatchMakers® Accessories Available

Code Compliance

Price Pfister products are designed and manufactured in compliance with the following standards and codes:

- IAPMO certified
- ASME A112.18.1
- CSA B125 certified
- ANSI A117.1 (Lever handles only)

SGL-HHS-HHL Series

Hub & Handle Trim

Lever Handles

Finishes	HHL-TCMB	HHL-TLBC	HHL-TLBN	HHL-TLBP	HHL-TLBW	SGL-80BC	SGL-80BN	SGL-80BP	SGL-8CMB
Polished Chrome		X				X			
White					X				
Polished Chrome with Brass Accents	X								X
Pforever Pfinish® Polished Brass				X				X	
Antique Bronze			X				X		

Features	HHL-TCMB	HHL-TLBC	HHL-TLBN	HHL-TLBP	HHL-TLBW	SGL-80BC	SGL-80BN	SGL-80BP	SGL-8CMB
For 4" Centerset Faucets	X	X	X	X	X				
For Widespread, Mini-Widespread and Roman Tub Faucets	X	X	X	X	X				
For Tub & Shower Trim						X	X	X	X
Kit Contains One Handle						X	X	X	X
Kit Contains Two Handles	X	X	X	X	X				
Metal Lever Handles	X	X	X	X	X	X	X	X	X
Pforever Warranty®	X	X	X	X	X	X	X	X	X



- HHL-TCMB
- HHL-TLBC
- HHL-TLBN
- HHL-TLBP
- HHL-TLBW
- SGL-80BC
- SGL-80BN
- SGL-80BP
- SGL-8CMB

See additional SS-HDL specification submittals for more handle selections.

For additional information, please contact your Price Pfister representative, or visit our website at www.pricepfister.com.

Project: _____

Contractor: _____

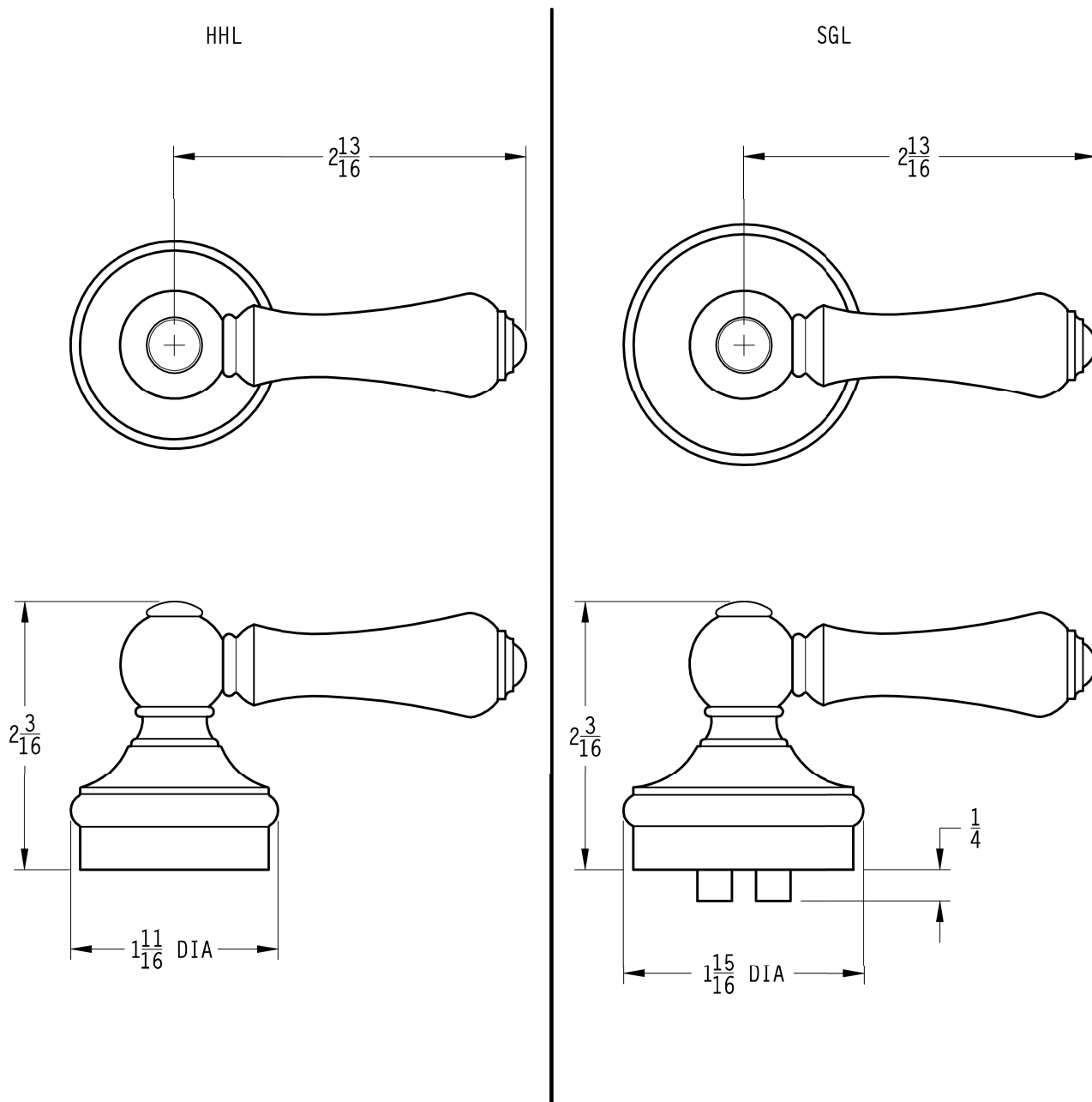
SS-HDL-02

1-800-PFAUCET www.pricepfister.com
 19701 DaVinci, Lake Forest, CA 92610
 01/8/03



SGL-HHS-HHL Series

Hub & Handle Trim



Dimensions are in Inches

1-800-PFAUCET www.pricepfister.com
 19701 DaVinci, Lake Forest, CA 92610
 01/8/03

Price Pfister®
 Pf Pfreshet Ideas in Pf faucets.