

Highlights

- Standard Hub
- Solid Brass Construction
- MatchMakers® Accessories Available

Code Compliance

Price Pfister products are designed and manufactured in compliance with the following standards and codes:

- IAPMO certified
- ASME A112.18.1
- CSA B125 certified
- ANSI A117.1 (Lever handles only)

SGL-HHS-HHL Series

Hub & Handle Trim

Lever Handles

Finishes	HHL-TBPC	HHL-TGPP	HHL-TLPC	HHL-TLPN	HHL-TLPP	SGL-80PC	SGL-80PN	SGL-80PP	SGL-8BPC	SGL-8GPP
Polished Chrome	X		X			X			X	
Polished Brass		X			X			X		X
Antique Bronze				X			X			

Features	HHL-TBPC	HHL-TGPP	HHL-TLPC	HHL-TLPN	HHL-TLPP	SGL-80PC	SGL-80PN	SGL-80PP	SGL-8BPC	SGL-8GPP
For 4" Centerset Faucets	X	X	X	X	X					
For Widespread, Mini-Widespread and Roman Tub Faucets	X	X	X	X	X					
For Tub & Shower Trim						X	X	X	X	X
Kit Contains One Handle						X	X	X	X	X
Kit Contains Two Handles	X	X	X	X	X					
Black Porcelain Lever Handles	X								X	
Green Porcelain Lever Handles		X								X
White Porcelain Lever Handles			X	X	X	X	X	X		
Pforever Warranty®	X	X	X	X	X	X	X	X	X	X

See additional SS-HDL specification submittals for more handle selections.



- HHL-TLPC
- HHL-TLPN
- HHL-TLPP
- SGL-80PC
- SGL-80PN
- SGL-80PP



- HHL-TBPC
- HHL-TGPP
- SGL-8BPC
- SGL-8GPP

For additional information, please contact your Price Pfister representative, or visit our website at www.pricepfister.com.

Project: _____

Contractor: _____

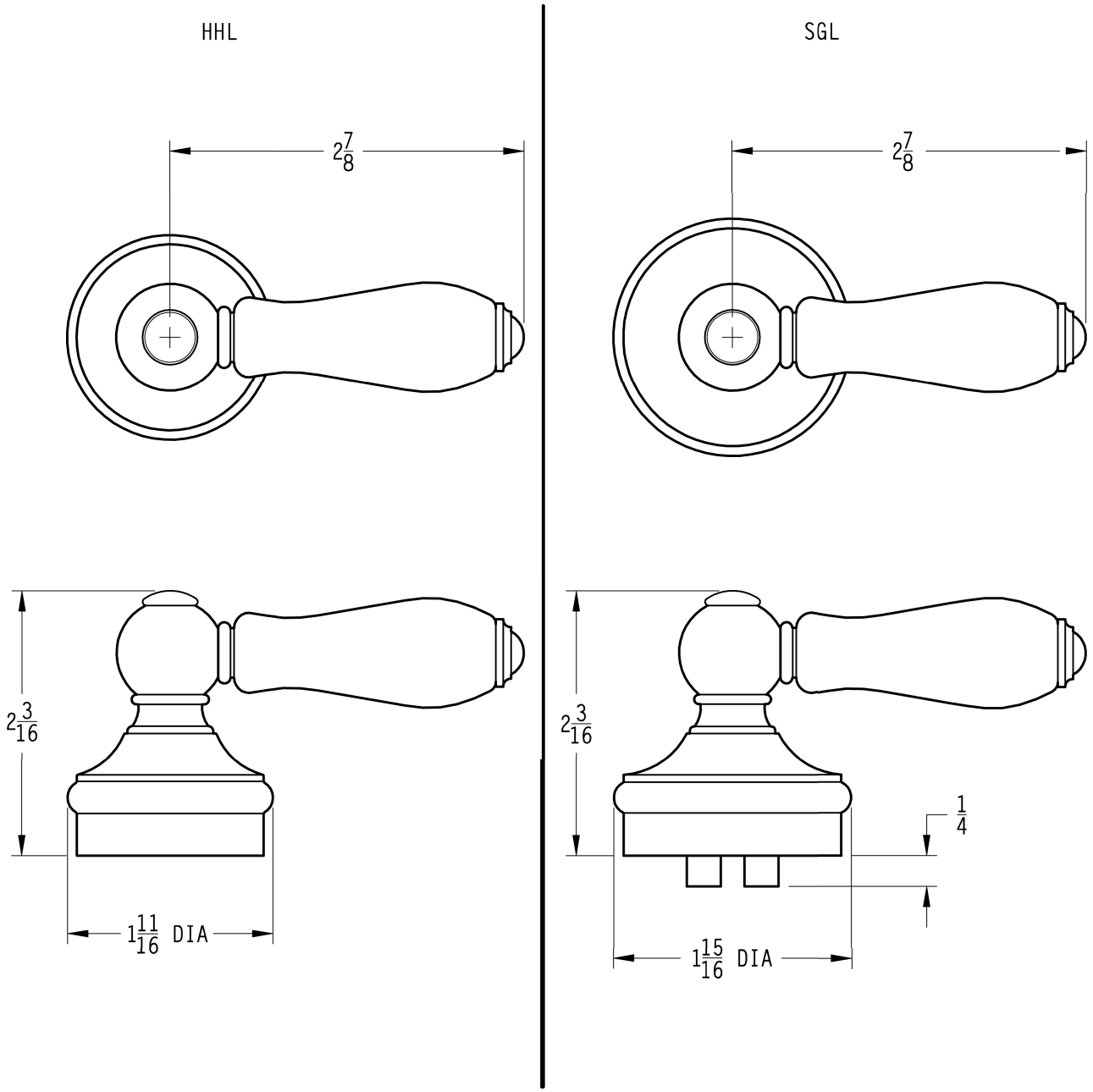
SS-HDL-03

1-800-PFAUCET www.pricepfister.com
 19701 DaVinci, Lake Forest, CA 92610
 01/8/03

Price Pfister®
 Pfreshest Ideas in Pfaucets.

SGL-HHS-HHL Series

Hub & Handle Trim



Dimensions are in Inches

1-800-PFAUCET www.pricepfister.com
19701 DaVinci, Lake Forest, CA 92610
01/8/03

Price Pfister®
Pf Pfrestest Ideas in Pf faucets.

SS-HDL-03