

**Highlights**

- Standard Hub
- Solid Brass Construction
- MatchMakers® Accessories Available

**Code Compliance**

Price Pfister products are designed and manufactured in compliance with the following standards and codes:

- IAPMO certified
- ASME A112.18.1
- CSA B125 certified
- ANSI A117.1 (Lever handles only)

## SGL-HHS-HHL Series

### Hub & Handle Trim

Lever Handles

<b>Finishes</b>	HHL-TLAC	HHL-TLAN	HHL-TLAP	HHL-TLSC	HHL-TLSP	SGL-80AC	SGL-80AP	SGL-8LCC	SGL-8LCP
Polished Chrome	X			X		X		X	
Pforever Pfinish® Polished Brass			X		X		X		X
Antique Bronze		X							

<b>Features</b>	HHL-TLAC	HHL-TLAN	HHL-TLAP	HHL-TLSC	HHL-TLSP	SGL-80AC	SGL-80AP	SGL-8LCC	SGL-8LCP
For 4" Centerset Faucets	X	X	X	X	X				
For Widespread, Mini-Widespread and Roman Tub Faucets	X	X	X	X	X				
For Tub & Shower Trim						X	X	X	X
Kit Contains One Handle						X	X	X	X
Kit Contains Two Handles	X	X	X	X	X				
Acrylic Lever Handles	X	X	X			X	X		
Acrylic Swirl Lever Handles				X	X			X	X
Pforever Warranty®	X	X	X	X	X	X	X	X	X

See additional SS-HDL specification submittals for more handle selections.



HHL-TLAC

HHL-TLAN

HHL-TLAP

SGL-80AC

SGL-80AP



HHL-TLSC

HHL-TLSP

SGL-8LCC

SGL-8LCP

For additional information, please contact your Price Pfister representative, or visit our website at [www.pricepfister.com](http://www.pricepfister.com).

**Project:** \_\_\_\_\_

**Contractor:** \_\_\_\_\_

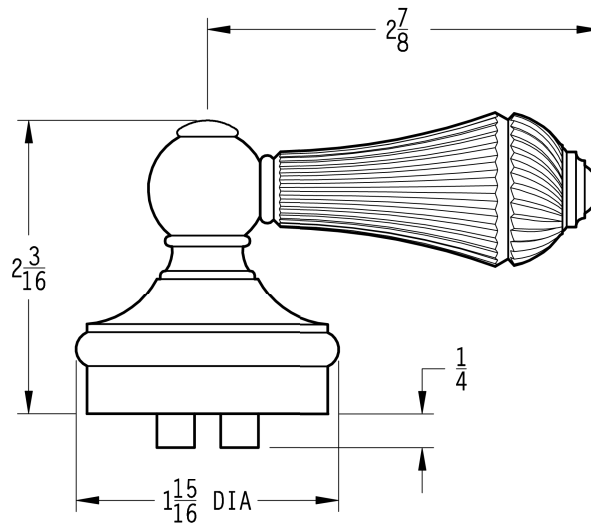
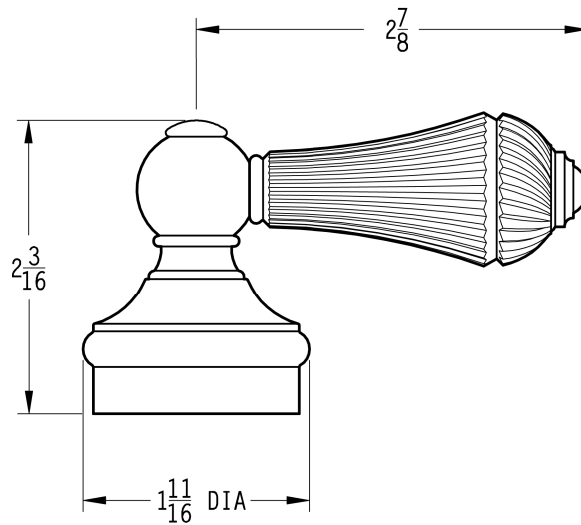
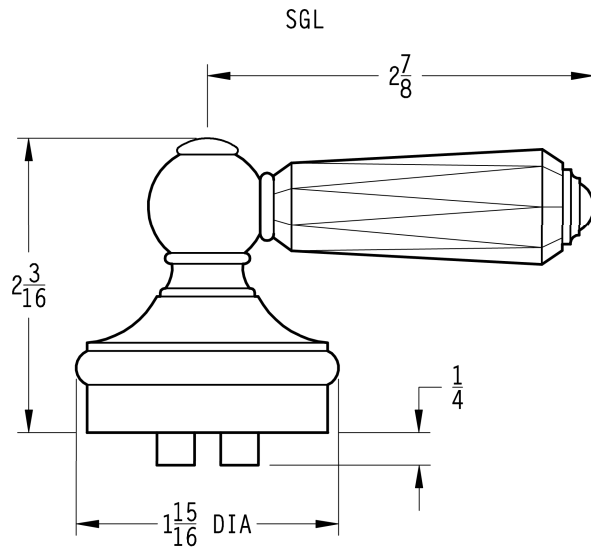
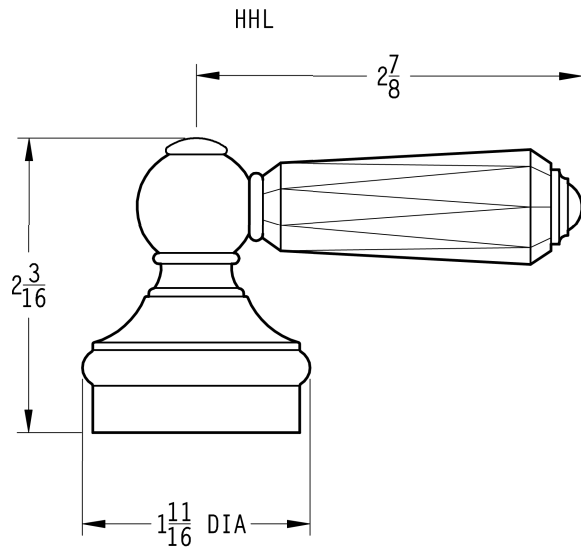
SS-HDL-06

**1-800-PFAUCET** [www.pricepfister.com](http://www.pricepfister.com)  
 19701 DaVinci, Lake Forest, CA 92610  
 01/8/03



# SGL-HHS-HHL Series

## Hub & Handle Trim



Dimensions are in Inches

1-800-PFAUCET [www.pricepfister.com](http://www.pricepfister.com)  
 19701 DaVinci, Lake Forest, CA 92610  
 01/8/03

**Price Pfister®**  
 Pf Pfreshet Ideas in Pf faucets.