

Highlights

- Standard Hub
- Solid Brass Construction
- MatchMakers® Accessories Available

Code Compliance

Price Pfister products are designed and manufactured in compliance with the following standards and codes:

- IAPMO certified
- ASME A112.18.1
- CSA B125 certified
- ANSI A117.1 (Lever handles only)

SGL-HHS-HHL Series

Hub & Handle Trim

Lever Handles

Finishes	HHL-TLFC	HHL-TLFM	HHL-TLFP	HHS-TLFC	HHS-TLFM	HHS-TLFP
Polished Chrome	X			X		
Polished Chrome with Brass Accents		X			X	
Pforever Pfinish® Polished Brass			X			X

Features	HHL-TLFC	HHL-TLFM	HHL-TLFP	HHS-TLFC	HHS-TLFM	HHS-TLFP
For 4" Centerset Faucets				X	X	X
For Widespread, Mini-Widespread and Roman Tub Faucets	X	X	X			
Kit Contains Two Handles	X	X	X	X	X	X
French Lever Handles	X	X	X	X	X	X
Pforever Warranty®	X	X	X	X	X	X

See additional SS-HDL specification submittals for more handle selections.



- HHL-TLFC
- HHL-TLFM
- HHL-TLFP
- HHS-TLFC
- HHS-TLFM
- HHS-TLFP

For additional information, please contact your Price Pfister representative, or visit our website at www.pricepfister.com.

Project: _____

Contractor: _____

SS-HDL-04

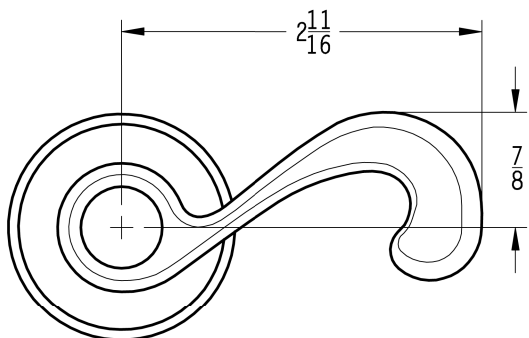
1-800-PFAUCET www.pricepfister.com
 19701 DaVinci, Lake Forest, CA 92610
 01/8/03



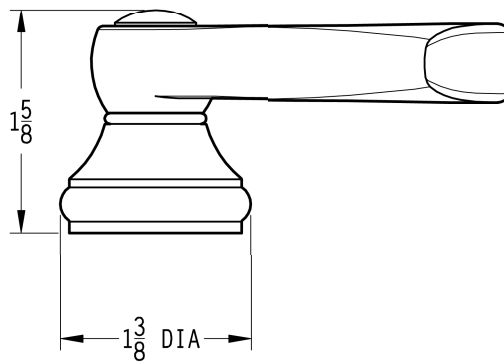
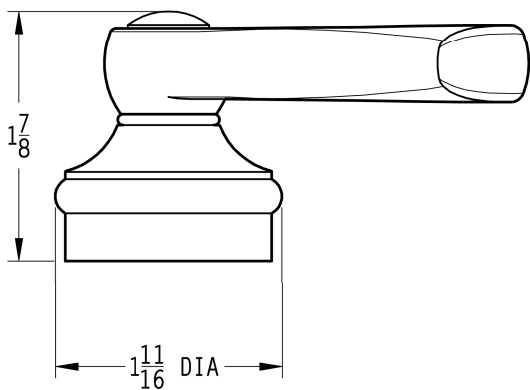
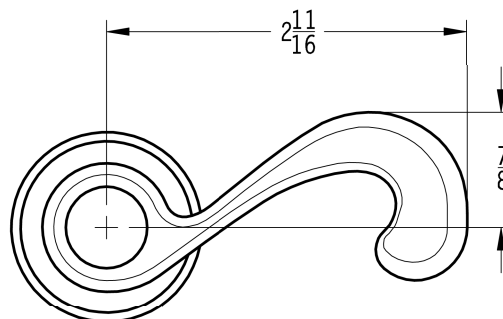
SGL-HHS-HHL Series

Hub & Handle Trim

HHL



HHS



Dimensions are in Inches

1-800-PFAUCET www.pricepfister.com
 19701 DaVinci, Lake Forest, CA 92610
 01/8/03

Price Pfister®
 Pf Pfreshet Ideas in Pf faucets.

SS-HDL-04