

Highlights

- Wrist Blade Handles
- ADA Approved

Code Compliance

Price Pfister products are designed and manufactured in compliance with the following standards and codes:

- IAPMO certified
- ASME A112.18.1
- CSA B125 certified
- ANSI A117.1 (Lever handles only)

SGL-HHS-HHL Series

Hub & Handle Trim

Lever Handles

Finishes	15-9WBC	HHL-TWBC
Polished Chrome	x	x

Features	15-9WBC	HHL-TWBC
For 4" Centerset Faucets	x	x
For Widespread, Mini-Widespread and Roman Tub Faucets	x	x
Kit Contains Two Handles	x	x
Pforever Warranty®	x	x

See additional SS-HDL specification submittals for more handle selections.



- 15-9WBC
- HHL-TWBC

For additional information, please contact your Price Pfister representative, or visit our website at www.pricepfister.com.

Project: _____

Contractor: _____

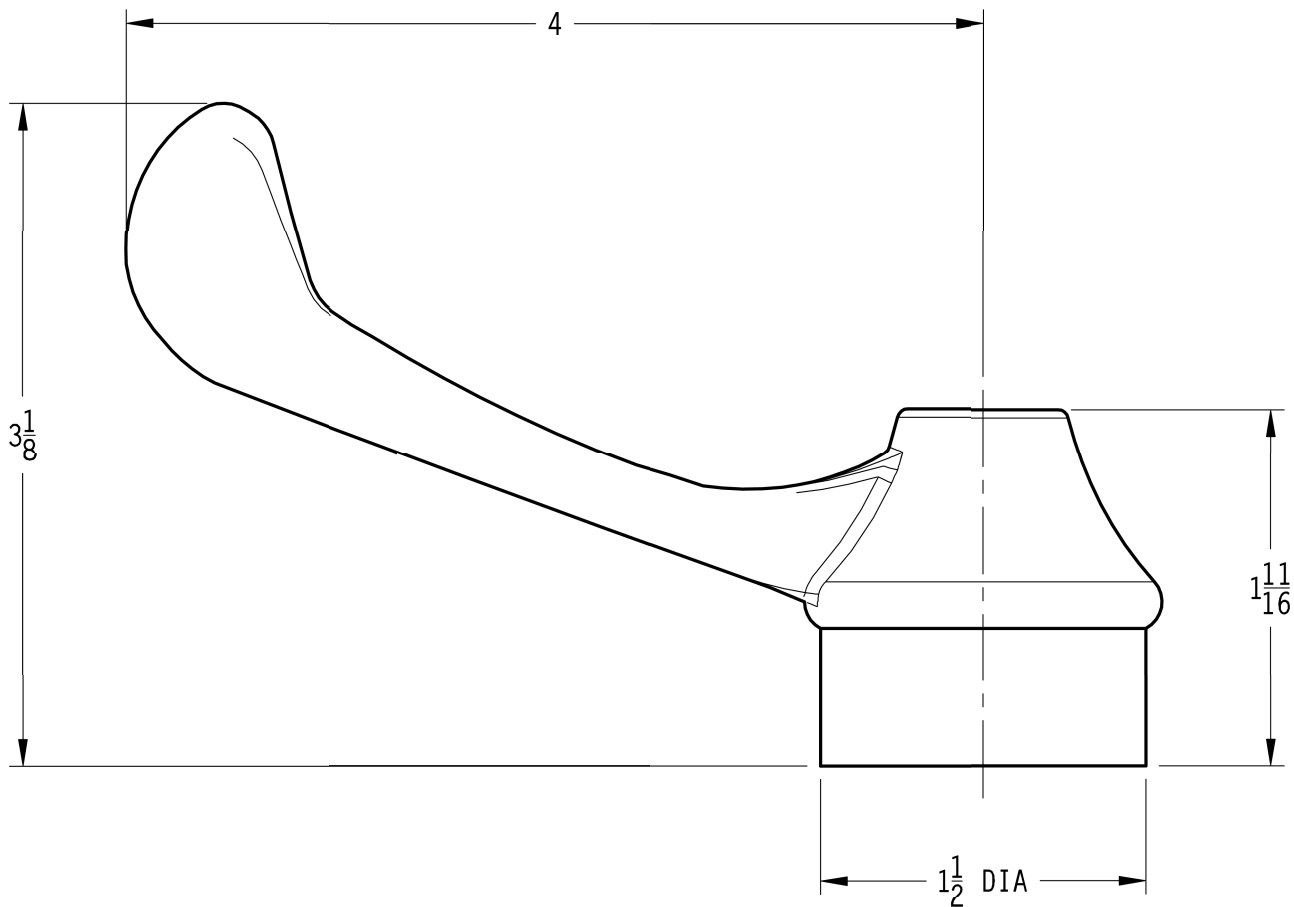
SS-HDL-21

1-800-PFAUCET www.pricepfister.com
 19701 DaVinci, Lake Forest, CA 92610
 01/8/03



SGL-HHS-HHL Series

Hub & Handle Trim



Dimensions are in Inches

1-800-PFAUCET www.pricepfister.com
19701 DaVinci, Lake Forest, CA 92610
01/8/03

Price Pfister®
Pf Pfreshet Ideas in Pfaucets.

SS-HDL-21