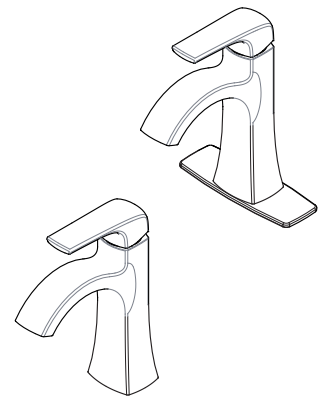


- LF-042-BIEC Finish(C)
- LF-042-BIEBG Finish(BG)
- LF-042-BIEGS Finish(GS)
- LF-042-BIESDB Finish(SDB)



Specifications

- 1 or 3-Hole Installation
- Pforever Seal™

Features

- 1.2 GPM Flow Rate
- 1 or 3-Hole Installation
- Optional Deckplate Included
- Push & Seal™ Drain Included
- Spot Defense™ Finish Resists Spots and Fingerprints (GS and SDB Finishes Only)
- Pfaster Connect™ Adapter Technology
- Supply Lines Not Included
- TiteSeal™ Technology
- Pforever Seal™ Ceramic Disc Valve
- Limited Lifetime Warranty



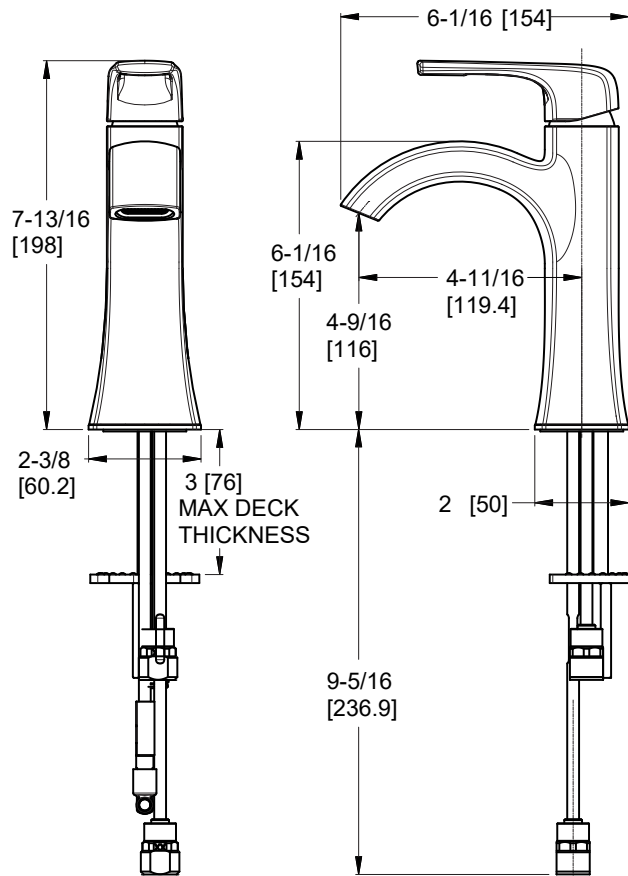
Code Compliance

Pfister products are designed and manufactured in compliance with the following standards and codes:

- IAPMO Certified to ASME A112.18.1/CSA B125.1
- EPA WaterSense Certified
- NSF/ANSI/CAN61:Q≤1
- CEC Certified/CALGreen compliant
- ADA Compliant - ANSI A117.1 (Lever Handles Only)

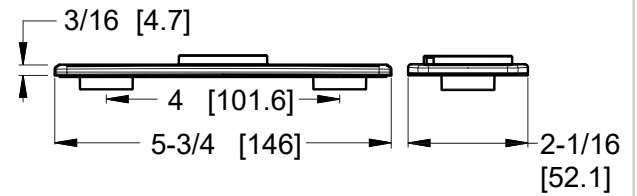


Dimensions



Ø1 Min to Ø1-1/2 Max. Deck Hole Openings

Optional Deck and Putty Plate



Push & Seal™

