

Specifications

Features

- 0.5 GPM Flow Rate
- All Metal Construction
- 1 or 3-Hole Installation
- Optional Deckplate Included
- Mounting Hardware Included
- Tamper Proof Aerator
- Tamper Proof Battery
- Temperature Control Knob
- Includes 6 x AA Batteries
- Optional 9V AC Adapter Available, Order 950-4229 Separately
- Limited 3 Year Warranty

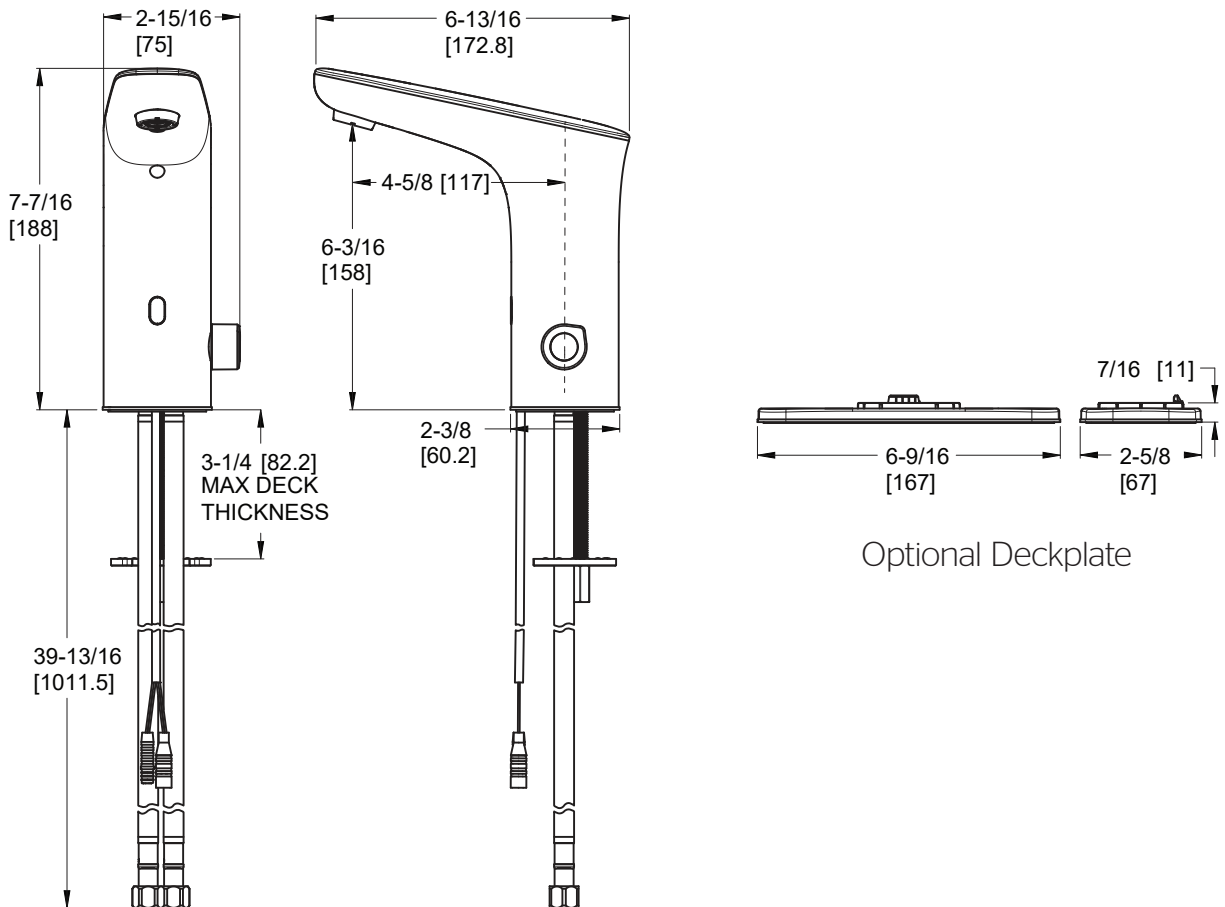
Code Compliance

Pfister products are designed and manufactured in compliance with the following standards and codes:

- Certified to ASME A112.18.1 /CSA B125
- Certified to NSF 61/9 & 372 (Low Lead)
- CEC Compliant
- CALGreen Compliant
- ADA Compliant-ANSI A117.1



Dimensions



Ø1 Min to Ø1-1/2 Max. Deck Hole Openings