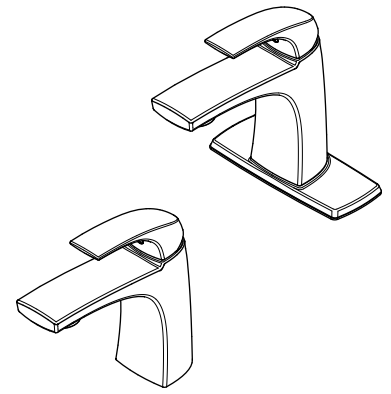


Single Control Lavatory Faucet

- LF-O42-KABB Finish(BB)
- LF-O42-KACC Finish(CC)
- LF-O42-KAGS Finish(GS)



- 1 or 3-Hole Installation
- All Metal Construction
- Pforever Seal

Specifications

Features

- 1.2 GPM Flow Rate
- All Metal Construction
- 1 or 3-Hole Installation
- Optional Deckplate Included
- Push & Seal™ Drain Included
- Spot Defense Finish Resists Spots and Fingerprints (GS Finish Only)
- Mounting Hardware Included
- Pfast Connect Supply Lines
- TiteSeal™ Deckplate
- Pforever Seal Ceramic Disc Valve
- Pforever Warranty®

Code Compliance

Pfister products are designed and manufactured in compliance with the following standards and codes:

- IAPMO Certified
- CSA B125 Certified
- ASME A112.18.1
- NSF 61/9 Annex G (Low lead)
- CEC Compliant
- Cal Green Compliant
- ADA Compliant-ANSI A117.1 (Lever handles only)
- EPA WaterSense Certification 1.2 gpm, 4.5 L/Min



Dimensions

