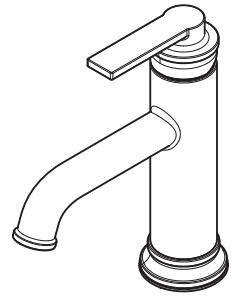


LF-042-MRTB Finish(B)

LF-042-MRTC Finish(C)



Specifications

Features

- 1.2 GPM Flow Rate
- All Metal Construction
- 1 or 3-Hole Installation
- Concealed Screws
- Flex-Line Supply Lines

- TiteSeal™ Technology
- Push & Seal™ Drain
- Pfast Connect™
- Pforever Seal™ Ceramic Disc Valve
- Limited Lifetime Warranty



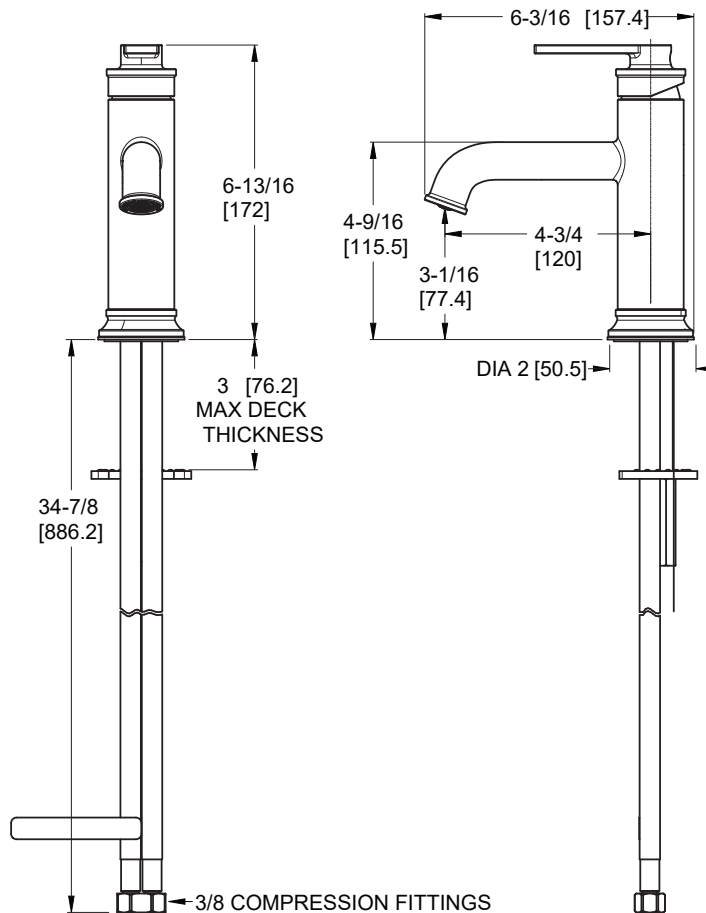
Code Compliance

Pfister products are designed and manufactured in compliance with the following standards and codes:

- IAPMO Certified to ASME A112.18.1/CSA B125.1
- NSF/ANSI/CAN61:Q≤1
- EPA WaterSense Certified
- CEC Certified/CALF-Oreen compliant
- ADA Compliant - ANSI A117.1 (Lever Handles Only)

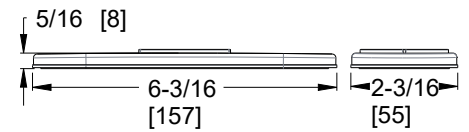


Dimensions



Ø1 Min to Ø1-1/2 Max. Deck Hole Openings

Included Deckplate



Push & Seal™

