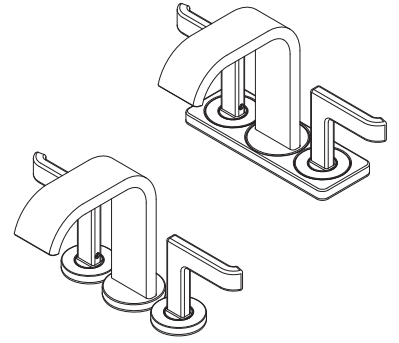


### 4" Mini Widespread Lavatory Faucet

LF-046-SYCC Finish(CC)

LF-046-SYKK Finish(KK)



## Specifications

### Features

- 1.2 GPM Flow Rate
- Mini Widespread-Installs With or Without Deckplate
- PVD Finish
- Push & Seal™ Drain
- Pforever Seal Ceramic Disc Valves
- Pforever Warranty®

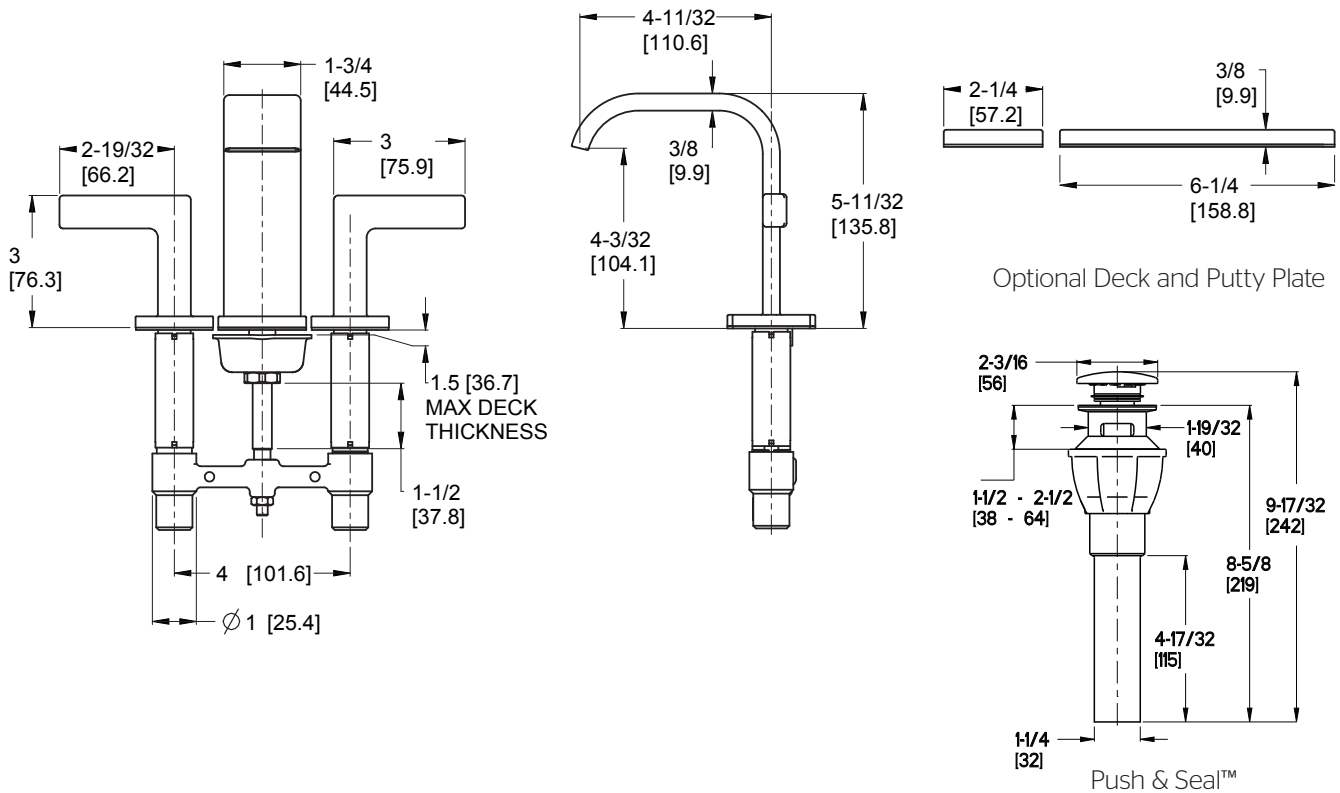
### Code Compliance

Pfister products are designed and manufactured in compliance with the following standards and codes:

- IAPMO Certified
- CSA B125 Certified
- ASME A112.18.1
- NSF 61/9 Annex G (Low lead)
- Cal Green Complaint
- CEC Compliant
- EPA WaterSense Certification 1.2 gpm, 4.5 L/Min
- ADA Compliant-ANSI A117.1 (Lever handles only)



## Dimensions



$\varnothing 1$  Min to  $\varnothing 1\text{-}1/2$  Max. Deck Hole Openings