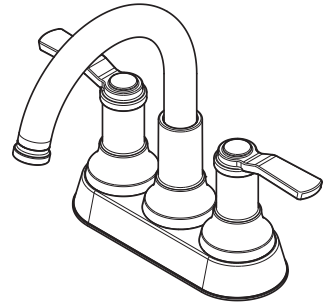


- LF-048-BCOGS Finish(GS)
- LF-048-BCOSDB Finish(SDB)



Specifications

Features

- 1.2 GPM Flow Rate
- 360° Rotating High Arc Spout
- Push & Seal™ Drain Included
- TiteSeal™ Technology
- Spot Defense™ Finish Resists Spots and Fingerprints
- Mounting Hardware Included
- Supply Lines Not Included
- Washerless Cartridge
- Limited Lifetime Warranty



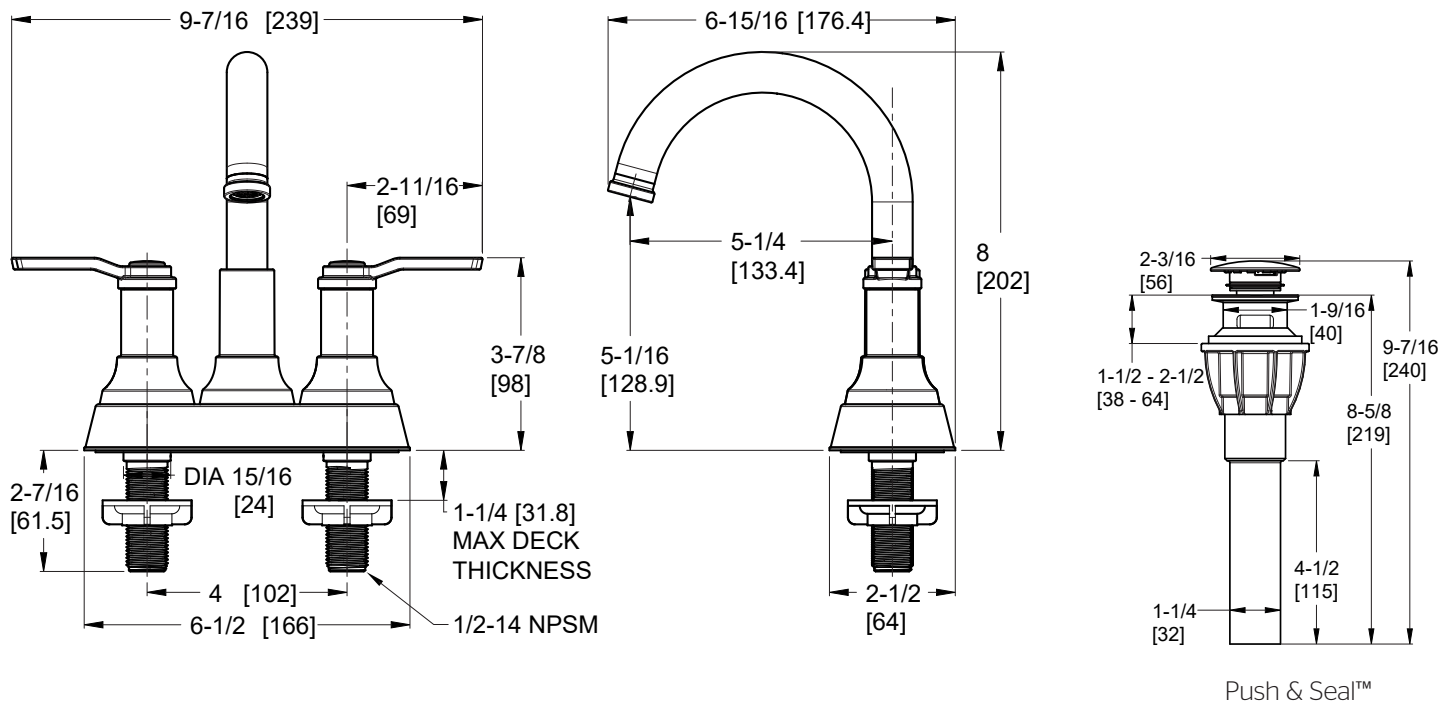
Code Compliance

Pfister products are designed and manufactured in compliance with the following standards and codes:

- IAPMO Certified to ASME A112.18.1/CSA B125.1
- EPA WaterSense Certified
- NSF/ANSI/CAN61:Q≤1
- CEC Certified/CALGreen compliant
- ADA Compliant - ANSI A117.1 (Lever Handles Only)



Dimensions



Ø1 Min to Ø1-1/2 Max. Deck Hole Openings