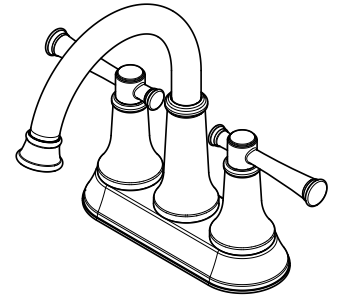


4" Centerset Lavatory Faucet

- LF-048-RNCC Finish(CC)
- LF-048-RNGS Finish(GS)
- LF-048-RNYY Finish(YY)



Specifications

Features

- 1.2 GPM Flow Rate
- 360° Rotating Spout
- High Arc Spout
- Spot Defense Finish Resists Spots and Fingerprints (GS Finish Only)
- TiteSeal™ Deckplate
- Push & Seal™ Pop-Up
- Shear Valves
- Pforever Warranty®

- Push & Seal™ Pop-Up
- Pforever Warranty®

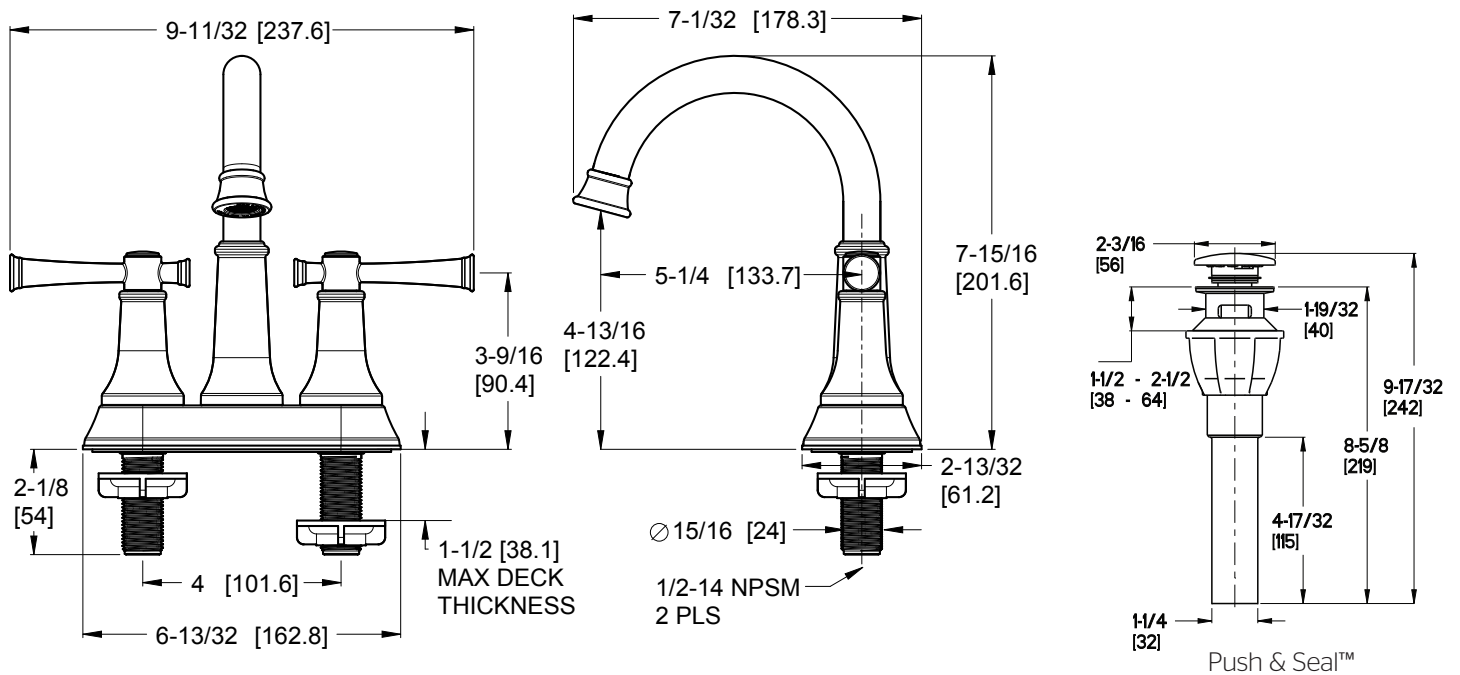
Code Compliance

Pfister products are designed and manufactured in compliance with the following standards and codes:

- IAPMO Certified
- CSA B125 Certified
- ASME A112.18.1
- Cal Green Compliant
- CEC Compliant
- NSF 61/9 Annex G (Low lead)
- EPA WaterSense Certification 1.2 gpm, 4.5 L/Min
- ADA Compliant-ANSI A117.1 (Lever handles only)



Dimensions



Ø1 Min to Ø1-1/2 Max. Deck Hole Openings