

Specifications

Features

- 1.2 GPM Flow Rate
- Adjustable 3-Hole Installation
- Fixed Hubs
- Mounting Hardware Included
- Push & Seal™ Drain Included
- Pfaster Connect™ Supply Lines
- TiteSeal™ Technology
- Quick Install Tool Included
- Pforever Seal Ceramic Disc Valves
- Pforever Warranty®



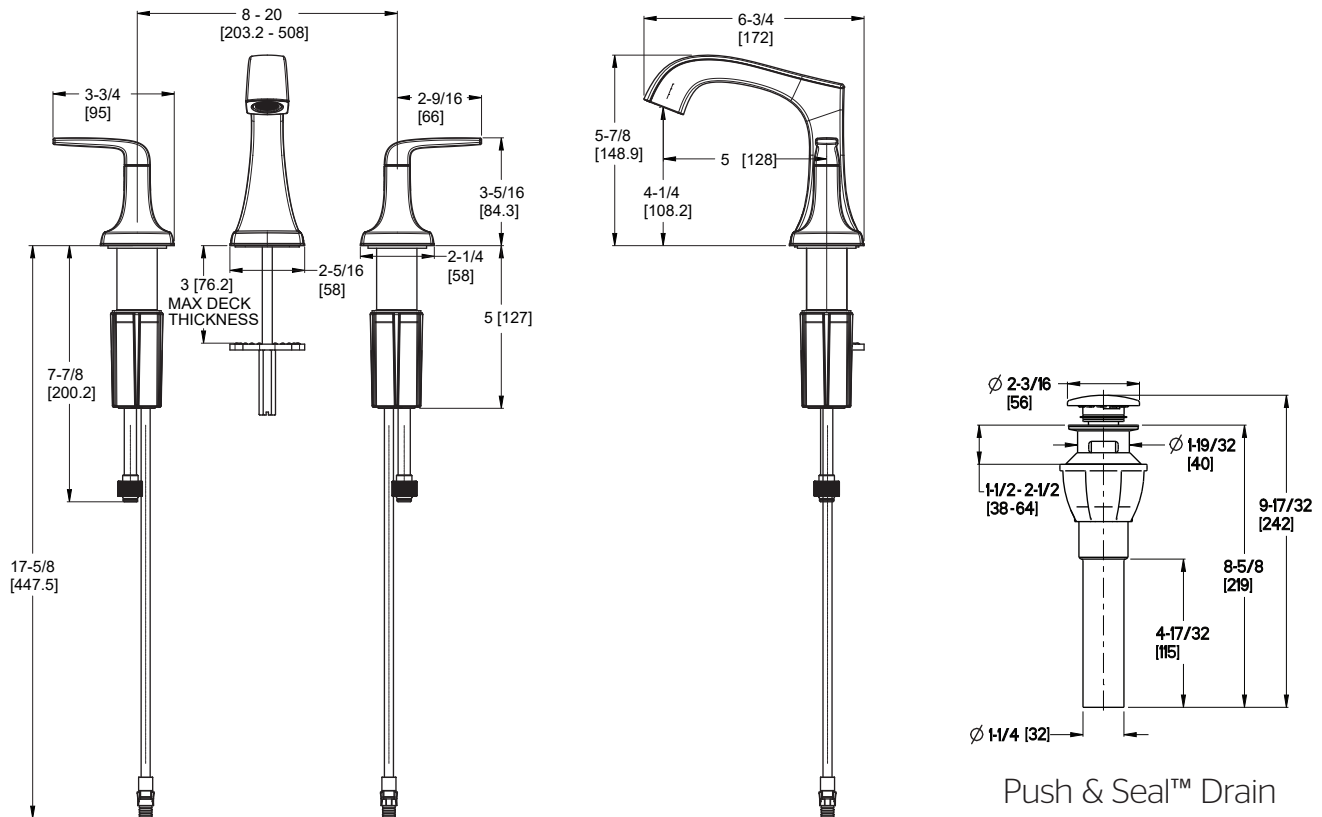
Code Compliance

Pfister products are designed and manufactured in compliance with the following standards and codes:

- IAPMO Certified to ASME A112.18.1/CSA B125.1
- NSF 61/9 AnnexG Certified
- EPA WaterSense Certified
- CEC Certified/CALGreen compliant
- ADA Compliant - ANSI A117.1 (Lever Handles Only)



Dimensions



\varnothing 1-1/4 Min to \varnothing 1-1/2 Max. Deck Hole Openings