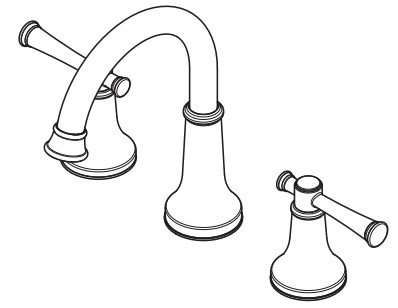


- LF-049-RNCC Finish(CC)
- LF-049-RNGS Finish(GS)
- LF-049-RNYY Finish(YY)



## Specifications

### Features

- 1.2 GPM Flow Rate
- 360° Rotating Spout
- High Arc Spout
- Spot Defense Finish Resists Spots and Fingerprints (GS Finish Only)
- Adjustable 3-Hole Installation
- Quick Install Tool Included
- Pfaster Connect Supply Lines
- Flex-Line Supply Lines
- TiteSeal™ Technology
- Push & Seal™ Pop-Up
- Pforever Seal Ceramic Disc Valves
- Pforever Warranty®

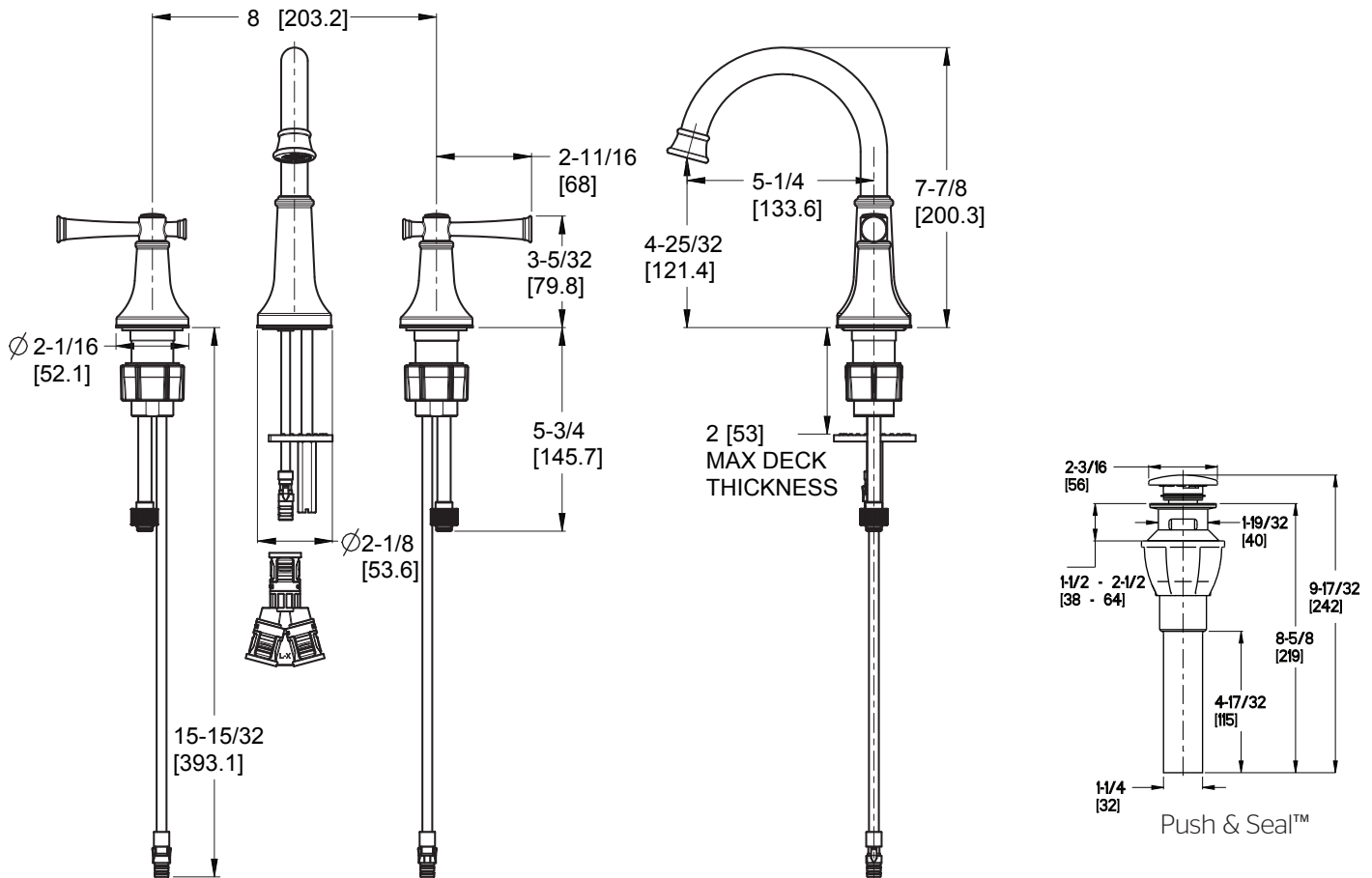
### Code Compliance

Pfister products are designed and manufactured in compliance with the following standards and codes:

- IAPMO Certified
- CSA B125 Certified
- ASME A112.18.1
- NSF 61/9 Annex G (Low lead)
- Cal Green Compliant
- CEC Compliant
- EPA WaterSense Certification 1.2 gpm, 4.5 L/Min
- ADA Compliant-ANSI A117.1 (Lever handles only)



## Dimensions



Ø1-1/4 Min to Ø1-1/2 Max. Deck Hole Openings