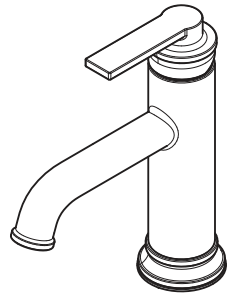


### Single Control Lavatory Faucet

- LG42-COLØB Finish(B)  LG42-COLØD Finish(D)
- LG42-COLØBG Finish(BG)  LG42-COLØK Finish(K)
- LG42-COLØC Finish(C)  LG42-COLØY Finish(Y)



## Specifications

- 1 or 3-Hole Installation
- All Metal Construction
- Pforever Seal™

### Features

- 1.2 GPM Flow Rate
- All Metal Construction
- 1-Hole Installation (For 3-Hole Installation Order Deckplate)
- Optional Deckplate, Order 961-274\*
- Concealed Screws
- Flex-Line Supply Lines
- TiteSeal™ Technology
- Push & Seal™ Drain
- Pfast Connect™
- Pforever Seal™ Ceramic Disc Valve
- Limited Lifetime Warranty



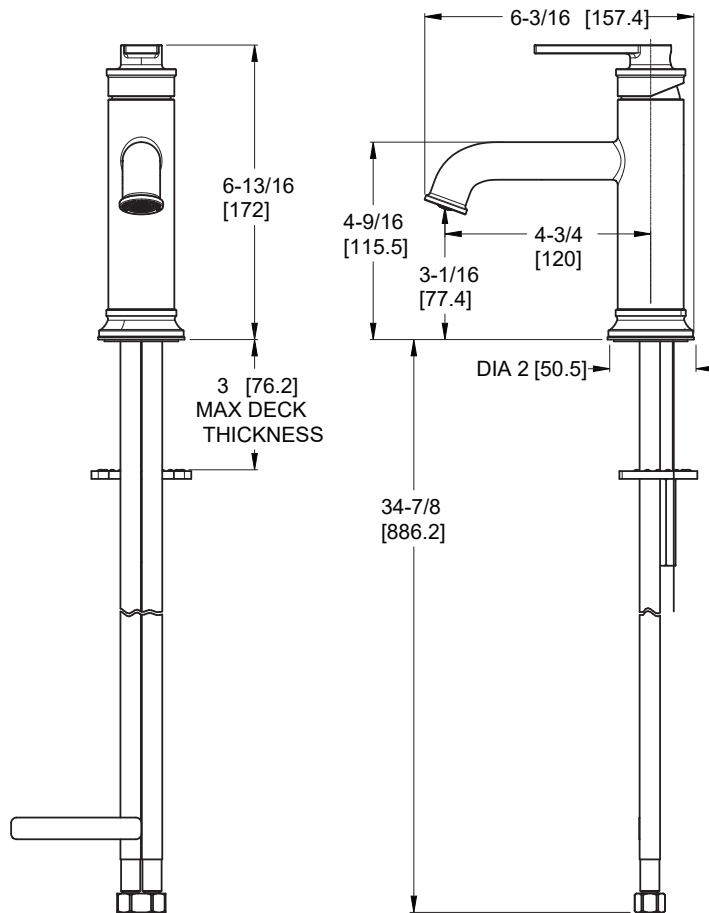
### Code Compliance

Pfister products are designed and manufactured in compliance with the following standards and codes:

- IAPMO Certified to ASME A112.18.1/CSA B125.1
- NSF/ANSI/CAN61:Q≤1
- EPA WaterSense Certified
- CEC Certified/CALGreen compliant
- ADA Compliant - ANSI A117.1 (Lever Handles Only)

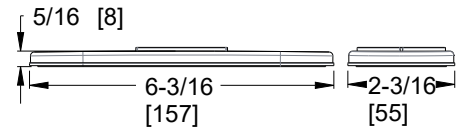


## Dimensions



Ø1 Min to Ø1-1/2 Max. Deck Hole Openings

### Optional Deckplate



### Push & Seal™

