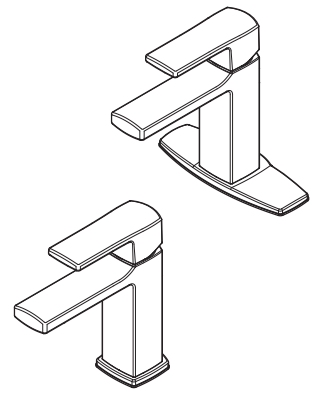


LG42-DAP2B Finish(B)

LG42-DAP2C Finish(C)



Specifications

- All Metal Construction
- Pforever Seal

Features

- 1.2 GPM Flow Rate
- All Metal Construction
- 1 or 3-Hole Installation
- Optional Deckplate, Order 961-230* (Order Separately)
- Includes Push & Seal™ Drain
- Integrated Nylon Supply Lines with 3/8 Compression Fitting
- Pforever Seal™ Ceramic Disc Valve
- Temperature Limit Stop
- Limited Lifetime Warranty

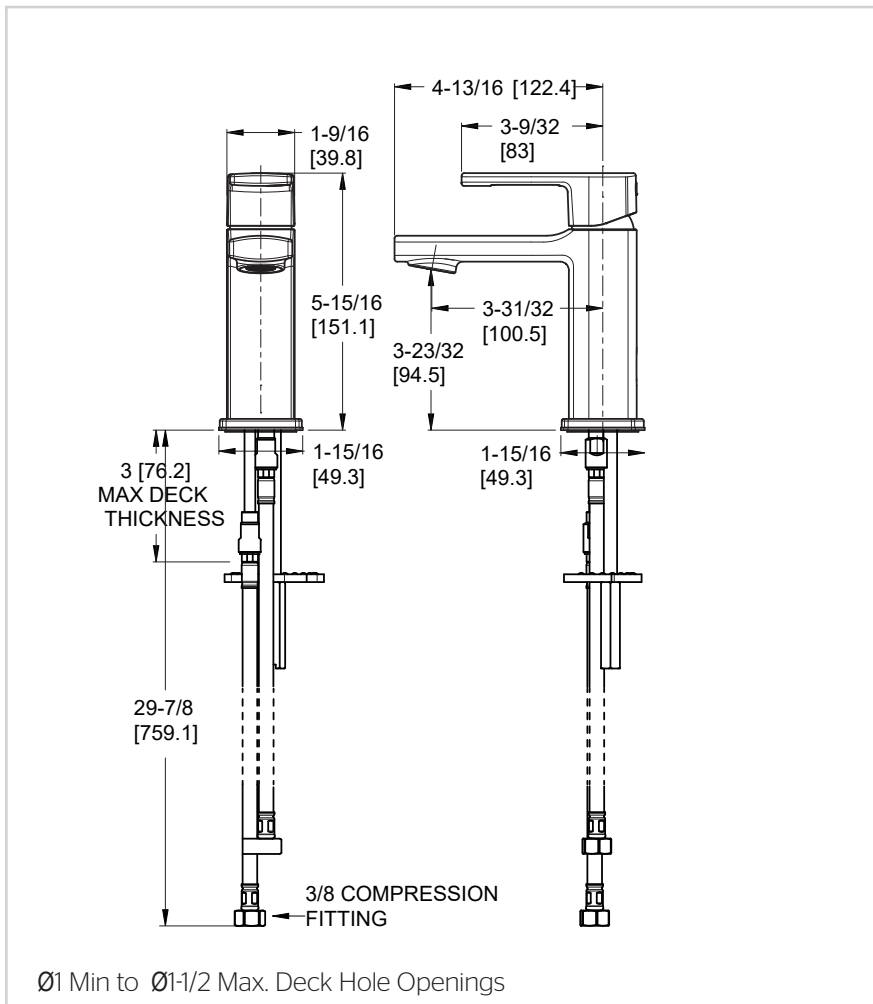
Code Compliance

Pfister products are designed and manufactured in compliance with the following standards and codes:

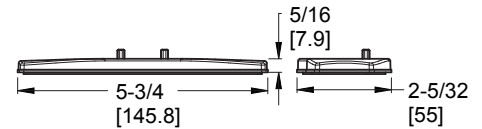
- IAPMO Certified to ASME A112.18.1/CSA B125.1
- NSF/ANSI/CAN61:Q≤1
- CEC Certified/CALGreen compliant
- EPA WaterSense Certified
- ADA Compliant - ANSI A117.1 (Lever Handle Only)



Dimensions



Optional Deckplate



Push & Seal™

