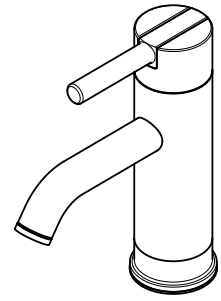


- LG42-NBPO Finish(B)
- LG42-NBGPO Finish(BG)
- LG42-NCPO Finish(C)
- LG42-NKPO Finish(K)



Specifications

Features

- 1.2 GPM Flow Rate
- Deckplate Not Included, Order Separately 961-095*
- 30" Integrated Nylon Braided Supply Lines with 3/8" Compression Fittings
- TiteSeal™ Technology
- Push & Seal™ Pop-Up Drain
- Pforever Seal™ Ceramic Disc Valve
- Limited Lifetime Warranty

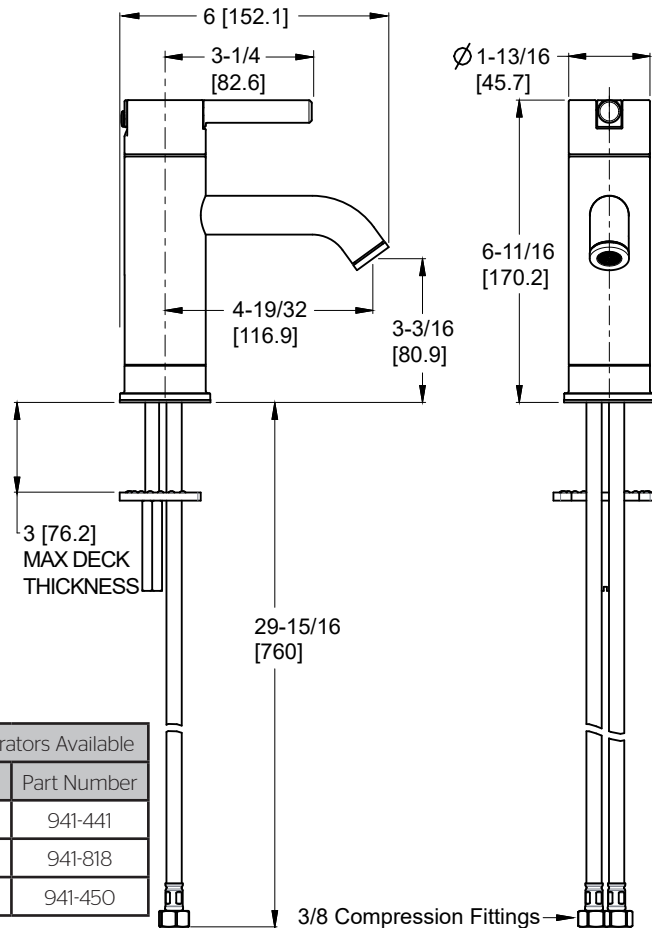
Code Compliance

Pfister products are designed and manufactured in compliance with the following standards and codes:

- IAPMO Certified to ASME A112.18.1/CSA B125.1
- EPA WaterSense Certified
- NSF/ANSI/CAN61:Q≤1
- CEC Certified/CALGreen compliant
- ADA Compliant - ANSI A117.1 (Lever Handles Only)



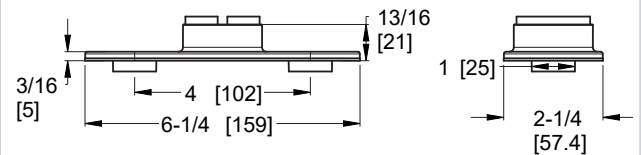
Dimensions



Optional Aerators Available	
GPM	Part Number
0.35 GPM	941-441
0.5 GPM	941-818
1.0 GPM	941-450

Ø1-1/4 Min to Ø1-1/2 Max. Deck Hole Openings

Optional Deckplate



Push & Seal™

